

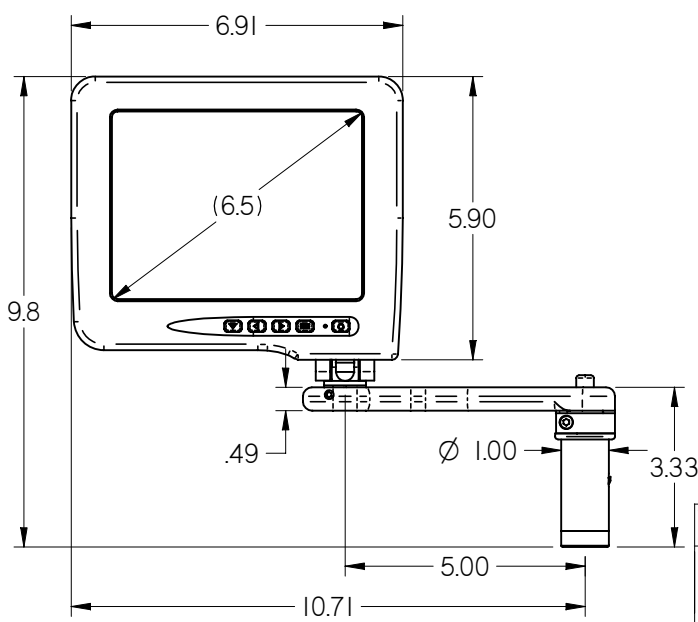
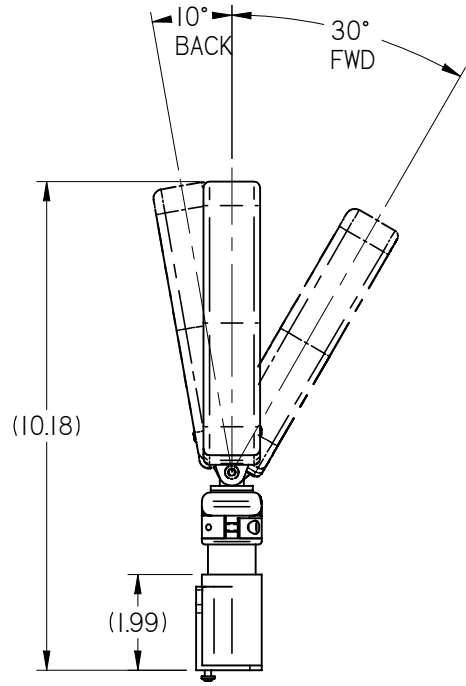
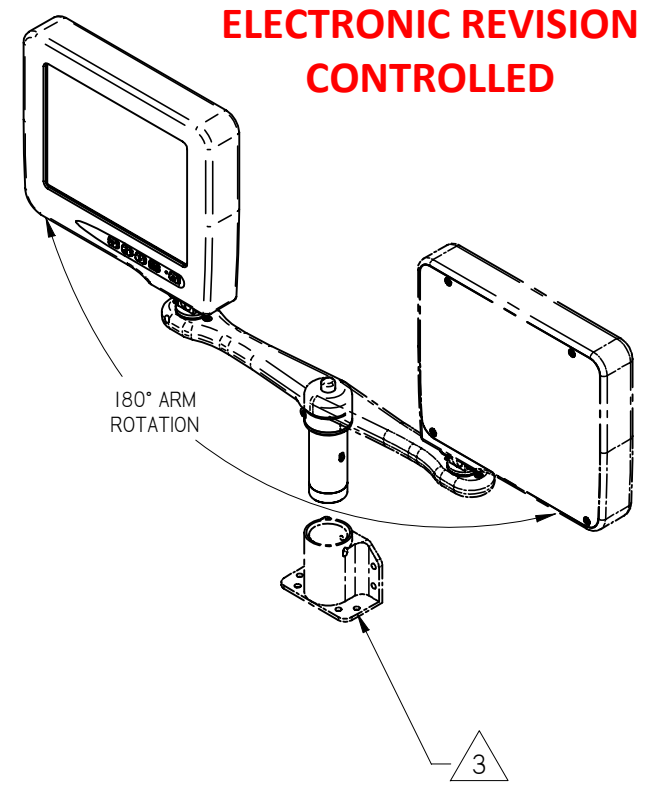
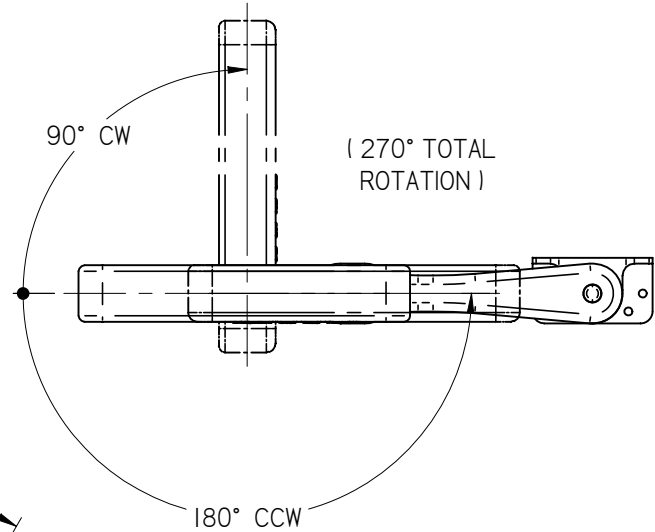
NOTES: (unless otherwise specified)

1. ASSEMBLY WEIGHT: 2.6 LBS. MAX
2. BASE SOLD SEPARATELY
3. SOME MINOR PARTS, LABELS, HARNESSES AND INSTRUCTIONS OMITTED FOR CLARITY

2

REVISIONS

| ZONE | REV | DESCRIPTION             | DATE     | BY  | CHG NO  | APRV |
|------|-----|-------------------------|----------|-----|---------|------|
|      | A   | INITIAL DRAWING RELEASE | 07/25/08 | GJH | EC08305 |      |
|      | B   | UPDATE NOTE 1           | 10/25/10 | DE  | EC10408 | GJH  |



UNLESS OTHERWISE SPECIFIED DIMENSIONS ARE IN INCHES  
 .X = ± .1  
 .XX = ± .03  
 R = ± 5.0°  
 RADI = ± .020  
 INTERPRET DIM AND TOL PER ASME Y14.5M - 1994

THE INFORMATION CONTAINED HEREIN IS PROPRIETARY TO ROSEN AVIATION, LLC. IT SHALL NOT BE REPRODUCED OR DISCLOSED IN WHOLE OR IN PART OR USED FOR ANY DESIGN OR MANUFACTURE EXCEPT WHEN SUCH USER POSSESSES DIRECT, WRITTEN AUTHORIZATION FROM ROSEN AVIATION. THIS DRAWING MAY BE COVERED UNDER ONE OR MORE U.S. OR INTERNATIONAL PATENTS. PLEASE CONTACT ROSEN AVIATION FOR SPECIFIC INFORMATION.

**ROSEN AVIATION** 1020 OWEN LOOP SOUTH  
 EUGENE, OREGON 97402  
 TEL: (541) 342-3802 FAX: (541) 342-4912

TITLE  
**OUTLINE & INSTALLATION DRAWING,  
 MONITOR ASSEMBLY, RIGHT  
 w/SLA5 LEFT ARM**  
 FIRST CALLED FOR: (FCF)  
**6.5" SLIMLINE**

| APPROVALS | INITIAL | DATE     |
|-----------|---------|----------|
| DRAWN BY  | GJH     | 07/23/08 |
| CHECKER   | SF      | 07/23/08 |
| ENGINEER  | SC      | 07/24/08 |

|                       |              |
|-----------------------|--------------|
| DWG NO<br>6500-064-CD |              |
| SIZE<br>A             | REV<br>B     |
| SCALE 1:4             | SHEET 1 OF 2 |

1

2

Performance Specifications (Reference)

**LCD Performance**

|                            |                               |
|----------------------------|-------------------------------|
| Screen Resolution (pixels) | 640 x 480                     |
| Video Standards supported  | NTSC, PAL, SECAM, RS170 (B&W) |
| Display Viewing Area (in)  | 5.14 x 3.84                   |
| Vertical Viewing Angle     | +45°(up), -35°(down)          |
| Horizontal Viewing Angle   | ±50°                          |
| Contrast Ratio             | 300                           |
| Screen Brightness          | 400 cd/m <sup>2</sup> typ     |

**Power Requirements**

|                 |               |
|-----------------|---------------|
| Nominal Voltage | 12V or 28V DC |
| Nominal Current | .32 A         |

**Environmental Specifications**

|                       |                |
|-----------------------|----------------|
| Operating Temperature | -0C to +50C    |
| Altitude              | 15,000ft       |
| Humidity              | 95%RH          |
| Vibration             | 1.48 grms      |
| Power Input           | DO-160D Cat AB |
| RF Susceptibility     | DO-160D Cat TT |
| Emission of RF Energy | Cat-B          |

Base Receptacle Pinout - DB9

**Slimline Base Receptacle  
Model 0100-002 & 0100-004**

Connector: 9 Pin Male D-Subminiature  
Positronic SD9M0000Z  
Mate: 9 Pin Female D-Subminiature  
Positronic SD9F0000X

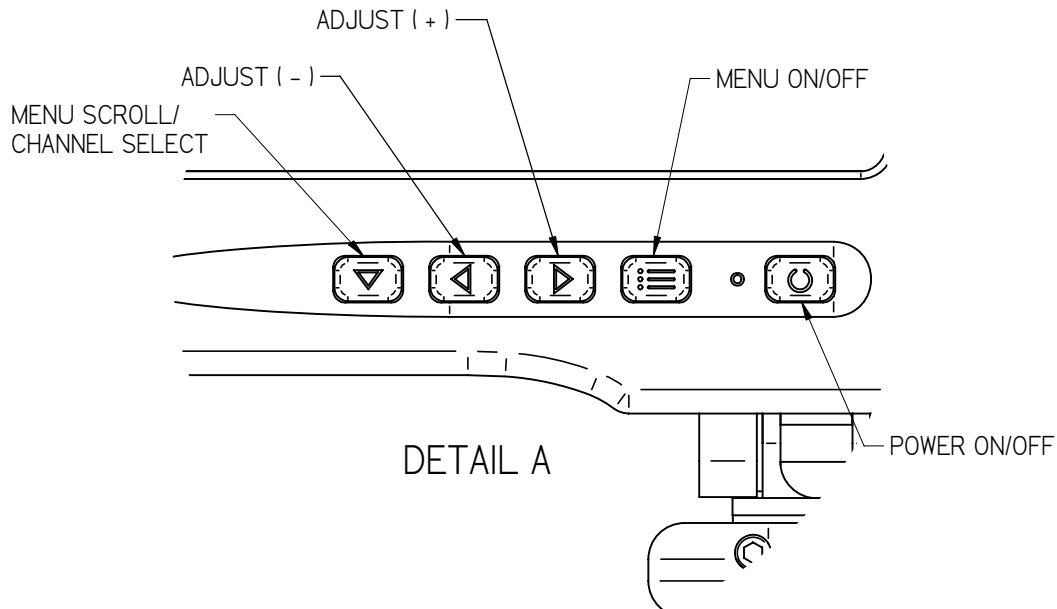
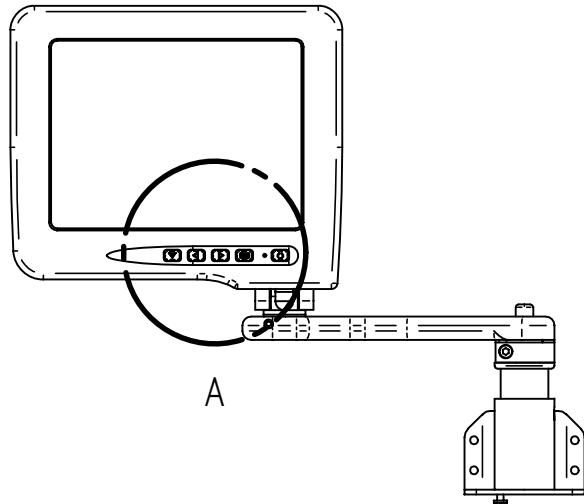
| Pin # | Monitor signal       |
|-------|----------------------|
| 1     | Chassis Ground       |
| 2     | +28V DC              |
| 3     | DC Return            |
| 4     | Select Switch        |
| 5     | Select Switch Return |
| 6     | Reserved             |
| 7     | Video Signal Input   |
| 8     | Video Ground         |
| 9     | Reserved             |

Base Receptacle Pinout

**Slimline Base Receptacle  
Model 0100-005**

Video Connector: BNC Jack, AMP 221199-5  
Power Connector: Male 3 pin, .062" Molex  
Mating Video Connector: BNC Plug  
Mating Power Connector: Molex 03-06-1038  
Mating Power Contact: Molex 02-06-1103

| Pin #      | Monitor signal |
|------------|----------------|
| BNC signal | Video Signal   |
| BNC shield | Video Return   |
| Molex 1    | DC Input       |
| Molex 2    | DC Return      |
| Molex 3    | Reserved       |



BASE SOLD SEPARATELY

THE INFORMATION CONTAINED HEREIN IS PROPRIETARY TO ROSEN AVIATION, LLC. IT SHALL NOT BE REPRODUCED OR DISCLOSED IN WHOLE OR IN PART OR USED FOR ANY DESIGN OR MANUFACTURE EXCEPT WHEN SUCH USER POSSESSES DIRECT, WRITTEN AUTHORIZATION FROM ROSEN AVIATION, LLC. THIS DRAWING MAY BE COVERED UNDER ONE OR MORE U.S. OR INTERNATIONAL PATENTS. PLEASE CONTACT ROSEN AVIATION FOR SPECIFIC INFORMATION.

|                       |   |                                     |          |
|-----------------------|---|-------------------------------------|----------|
| <b>ROSEN AVIATION</b> | 1020 OWEN LOOP SOUTH<br>EUGENE, OREGON 97402<br>TEL: (541) 342-3802 FAX: (541) 342-4912 | SIZE DWG NO<br><b>A</b> 6500-064-CD | REV<br>B |
|                       | SCALE NONE SHEET 2 OF 2   |                                     |          |