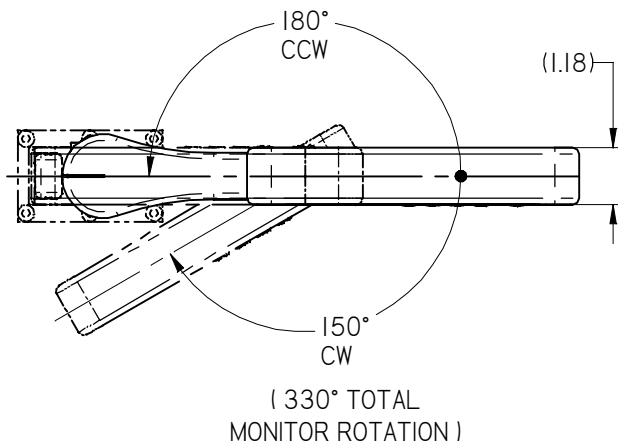


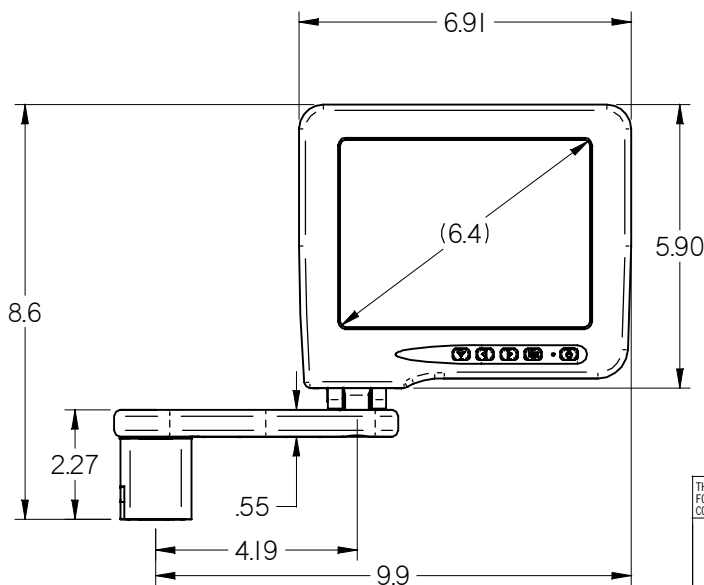
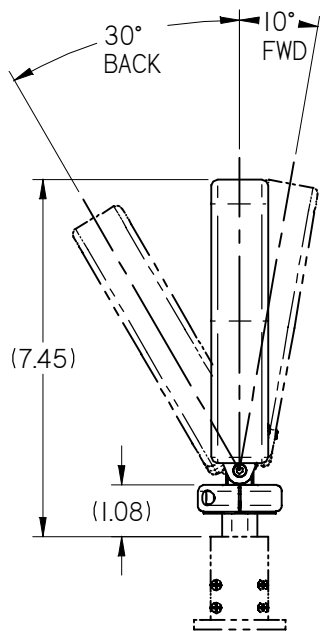
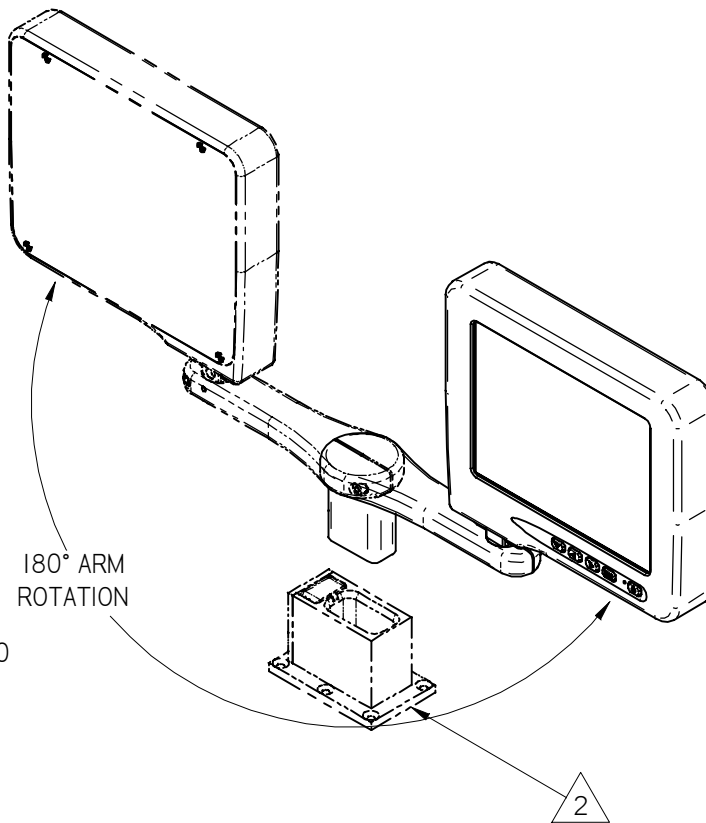
NOTES: (unless otherwise specified)

- ASSEMBLY WEIGHT: 2.86 LBS. ±5%
- BASE SOLD SEPARATELY

| REVISIONS | | | | | | |
|-----------|-----|-------------------------|----------|-----|---------|------|
| ZONE | REV | DESCRIPTION | DATE | BY | CHG NO | APRV |
| | A | INITIAL DRAWING RELEASE | 01/12/09 | GJH | EC08502 | |



ELECTRONIC REVISION CONTROLLED



THE INFORMATION CONTAINED HEREIN IS PROPRIETARY TO ROSEN AVIATION, LLC. IT SHALL NOT BE REPRODUCED OR DISCLOSED IN WHOLE OR IN PART OR USED FOR ANY DESIGN OR MANUFACTURE EXCEPT WHEN SUCH USER POSSESSES DIRECT, WRITTEN AUTHORIZATION FROM ROSEN AVIATION. THIS DRAWING MAY BE COVERED UNDER ONE OR MORE U.S. OR INTERNATIONAL PATENTS. PLEASE CONTACT ROSEN AVIATION FOR SPECIFIC INFORMATION.

| | | | | | | |
|---|--|---|--|-----------------------|---------|--------------|
| Rosen AVIATION | | 1020 OWEN LOOP SOUTH EUGENE, OREGON 97402 TEL: (541) 342-3802 FAX: (541) 342-4912 | | APPROVALS | INITIAL | DATE |
| | | | | DRAWN BY | GJH | 11/25/08 |
| | | | | CHECKER | DRF | 12/18/08 |
| | | | | ENGINEER | SC | 01/12/09 |
| TITLE OUTLINE & INSTALLATION DRAWING, 6.5" SLIMLINE LEFT, ULL-L ARM | | | | DWG NO 6500-080-CD | | |
| FIRST CALLED FOR: (FCF) | | | | SIZE A | | REV A |
| | | | | SCALE | 1:4 | SHEET 1 OF 2 |

UNLESS OTHERWISE SPECIFIED DIMENSIONS ARE IN INCHES
 .X = ± .1
 .XX = ± .03
 ⌀ = ± 5.0°
 RADI = ± .020
 INTERPRET DIM AND TOL PER ASME Y14.5M - 1994

REFER TO www.rosenaviation.com FOR THE LATEST REVISION INFORMATION.

Performance Specifications (Reference)

LCD Performance

| | |
|----------------------------|-------------------------------|
| Screen Resolution (pixels) | 640 x 480 |
| Video Standards supported | NTSC, PAL, SECAM, RS170 (B&W) |
| Display Viewing Area (in) | 5.14 x 3.84 |
| Vertical Viewing Angle | +45°(up), -35°(down) |
| Horizontal Viewing Angle | ±50° |
| Contrast Ratio | 300 |
| Screen Brightness | 400 cd/m ² typ |

Power Requirements

| | |
|---------------------------|------------------|
| Nominal Current at 28 VDC | 350 ma |
| Nominal Current at 12 VDC | 800 ma |
| Inrush Current | 20 A for 200µsec |
| Op Voltage Range | 10-32 VDC |
| Maximum Current Draw | 850 ma |
| Power Consumption | 8.5 W Max |

Environmental Specifications

| | |
|-----------------------|----------------|
| Operating Temperature | -0C to +50C |
| Altitude | 15,000ft |
| Humidity | 95%RH |
| Vibration | 1.48 grms |
| Power Input | DO-160D Cat AB |
| RF Susceptibility | DO-160D Cat T |
| Emission of RF Energy | Cat-B |
| MTBF | 4467 hrs |

Base Receptacle Pinout - DB9

**RNVAP Base Receptacle
Model 0100-010**

Connector: 9 Pin Male D-Subminiature
Positronic SD9M0000Z

Mate: 9 Pin Female D-Subminiature
Positronic SD9F0000X

| Pin # | Monitor signal |
|-------|-----------------------|
| 1 | Chassis Ground |
| 2 | DC Input |
| 3 | DC Return |
| 4 | Select Switch* |
| 5 | Select Switch Return* |
| 6 | Reserved |
| 7 | Video Signal Input |
| 8 | Video Ground |
| 9 | Reserved |

* Pins 4 & 5 connected to a normally open relay close for 200ms when select switch pressed.

Base Receptacle Pinout-BNC/Molex

**Slimline Base Receptacle
Model 0100-011**

Video Connector: BNC Jack, AMP 5221199-5

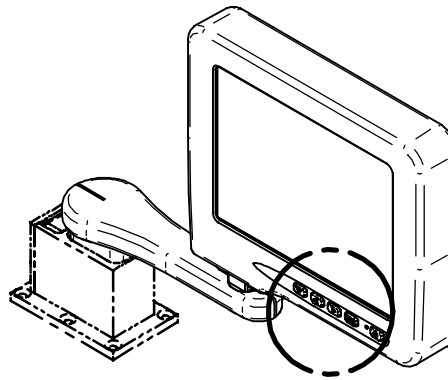
Power Connector: Male 3 pin, .062" Molex

Mating Video Connector: BNC Plug

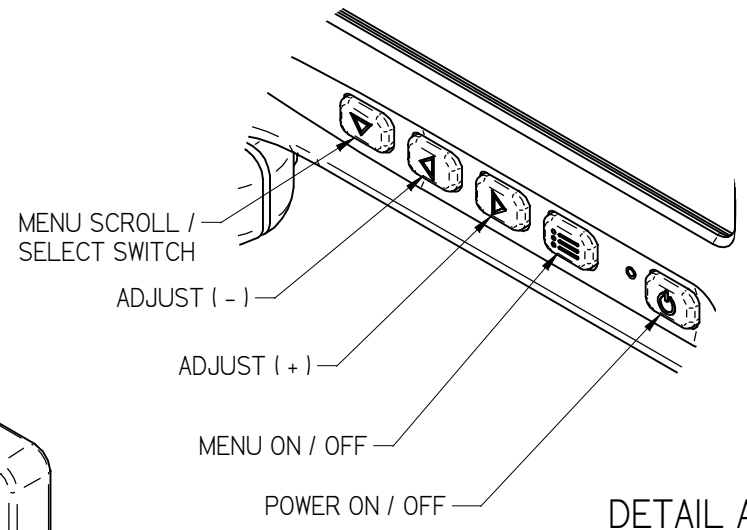
Mating Power Connector: Molex 03-06-1038

Mating Power Contact: Molex 02-06-1103

| Pin # | Monitor signal |
|------------|----------------|
| BNC signal | Video Signal |
| BNC shield | Video Return |
| Molex 1 | DC Input |
| Molex 2 | DC Return |
| Molex 3 | Reserved |



A



THE INFORMATION CONTAINED HEREIN IS PROPRIETARY TO ROSEN AVIATION, LLC. IT SHALL NOT BE REPRODUCED OR DISCLOSED IN WHOLE OR IN PART OR USED FOR ANY DESIGN OR MANUFACTURE EXCEPT WHEN SUCH USER POSSESSES DIRECT, WRITTEN AUTHORIZATION FROM ROSEN AVIATION, LLC. THIS DRAWING MAY BE COVERED UNDER ONE OR MORE U.S. OR INTERNATIONAL PATENTS. PLEASE CONTACT ROSEN AVIATION FOR SPECIFIC INFORMATION.

| | | | |
|-----------------------|---|------------------------------|----------|
| ROSEN AVIATION | 1020 OWEN LOOP SOUTH EUGENE, OREGON 97402 TEL: (541) 342-3802 FAX: (541) 342-4912 | SIZE DWG NO A 6500-080-CD | REV A |
| | SCALE NONE SHEET 2 OF 2 | | |