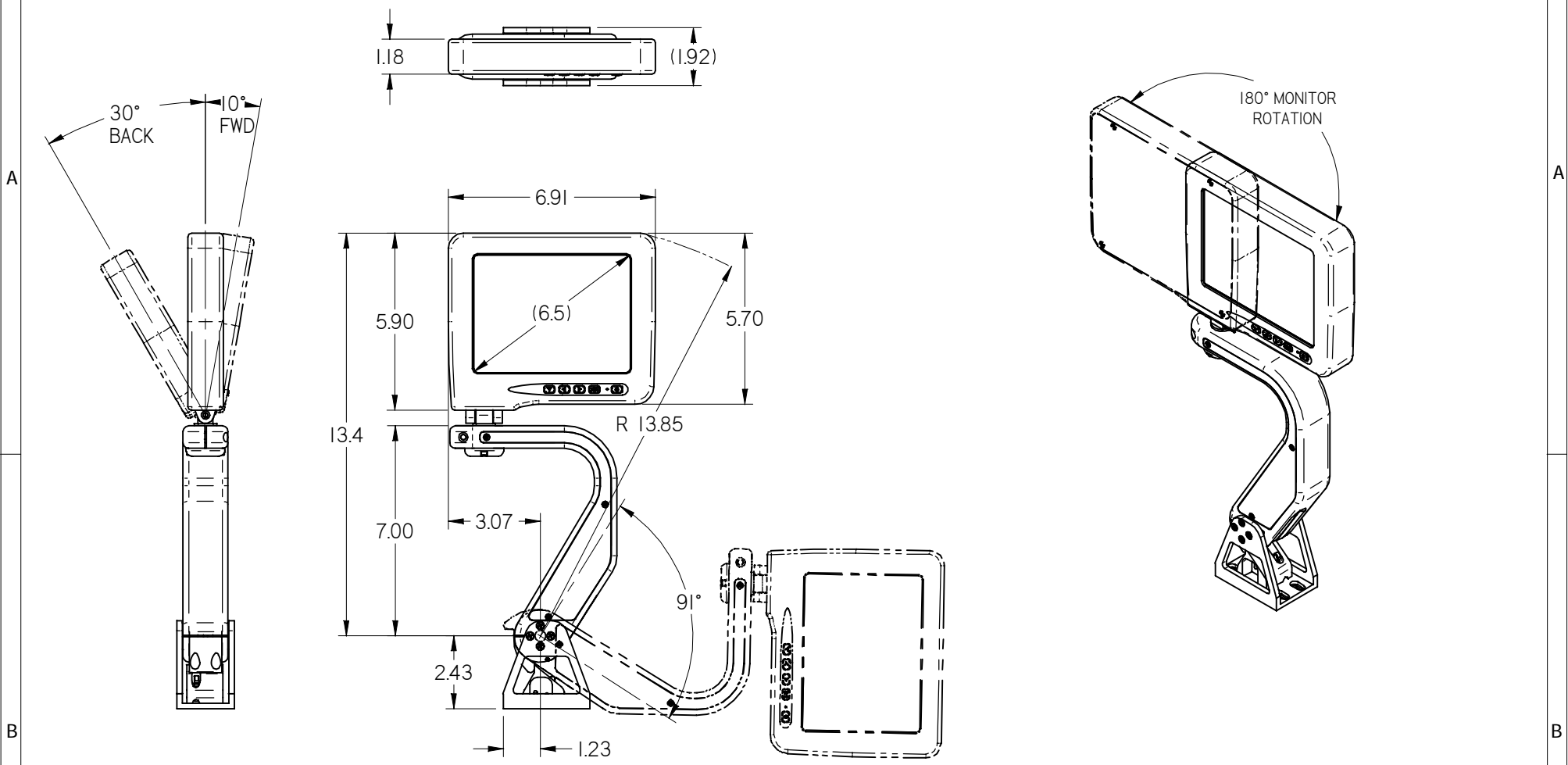


NOTES: (unless otherwise specified)
 1. ASSEMBLY WEIGHT: 3.59 LBS. ±5%

REVISIONS						
ZONE	REV	DESCRIPTION	DATE	BY	CHG NO	APRV
	A	INITIAL DRAWING RELEASE	01/12/09	GJH	EC08502	
pg2	B	CHG HARNESS LENGHT FROM 18-22"	06/09/09	GJH	EC09254	DRF



**ELECTRONIC REVISION
 CONTROLLED**

REFER TO www.rosenaviation.com FOR THE LATEST REVISION INFORMATION.

THE INFORMATION CONTAINED HEREIN IS PROPRIETARY TO ROSEN AVIATION, LLC. IT SHALL NOT BE REPRODUCED OR DISCLOSED IN WHOLE OR IN PART OR USED FOR ANY DESIGN OR MANUFACTURE EXCEPT WHEN SUCH USER POSSESSES DIRECT, WRITTEN AUTHORIZATION FROM ROSEN AVIATION. THIS DRAWING MAY BE COVERED UNDER ONE OR MORE U.S. OR INTERNATIONAL PATENTS. PLEASE CONTACT ROSEN AVIATION FOR SPECIFIC INFORMATION.

Rosen AVIATION		1020 OWEN LOOP SOUTH EUGENE, OREGON 97402 TEL: (541) 342-3802 FAX: (541) 342-4912		APPROVALS	INITIAL	DATE
				DRAWN BY	GJH	11/25/08
				CHECKER	DRF	12/18/08
				ENGINEER	SC	01/12/09
TITLE OUTLINE & INSTALLATION DRAWING, 6.5" SLIMLINE LEFT GOOSENECK ARM				DWG NO 6500-126-CD		
FIRST CALLED FOR: (FCF)				SIZE A		REV B
				SCALE 1:5	SHEET	1 OF 2

UNLESS OTHERWISE SPECIFIED DIMENSIONS ARE IN INCHES
 .X = ± .1
 .XX = ± .03
 ⌀ = ± 5.0°
 RADI = ± .020
 INTERPRET DIM AND TOL PER ASME Y14.5M - 1994

Performance Specifications (Reference)

LCD Performance

Screen Resolution (pixels)	640 x 480
Video Standards supported	NTSC, PAL, SECAM, RS170 (B&W)
Display Viewing Area (in)	5.14 x 3.84
Vertical Viewing Angle	+45°(up), -35°(down)
Horizontal Viewing Angle	±50°
Contrast Ratio	300
Screen Brightness	400 cd/m ² typ

Power Requirements

Nominal Current at 28 VDC	350 ma
Nominal Current at 12 VDC	800 ma
Inrush Current	20 A for 200µsec
Op Voltage Range	10-32 VDC
Maximum Current Draw	850 ma
Power Consumption	8.5 W Max

Environmental Specifications

Operating Temperature	-0C to +50C
Altitude	15,000ft
Humidity	95%RH
Vibration	1.48 grms
Power Input	DO-160D Cat AB
RF Susceptibility	DO-160D Cat T
Emission of RF Energy	Cat-B
MTBF	4467 hrs

DB9 Pinout

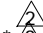
Connector: 9 Pin Male D-Subminiature
Positronic SD9M0000Z

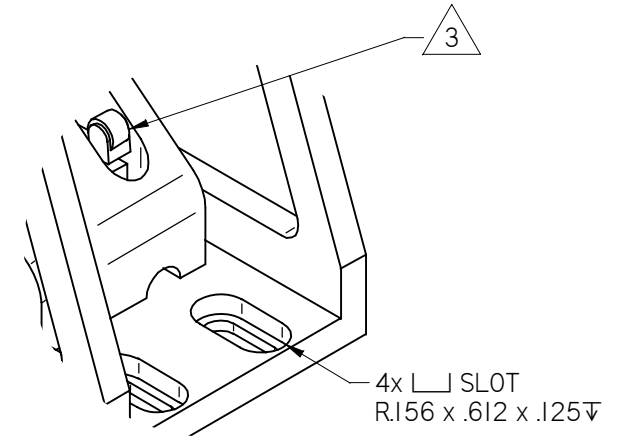
Mate: 9 Pin Female D-Subminiature
Positronic SD9F0000X

Connector Kit: 0300-022 (Included)

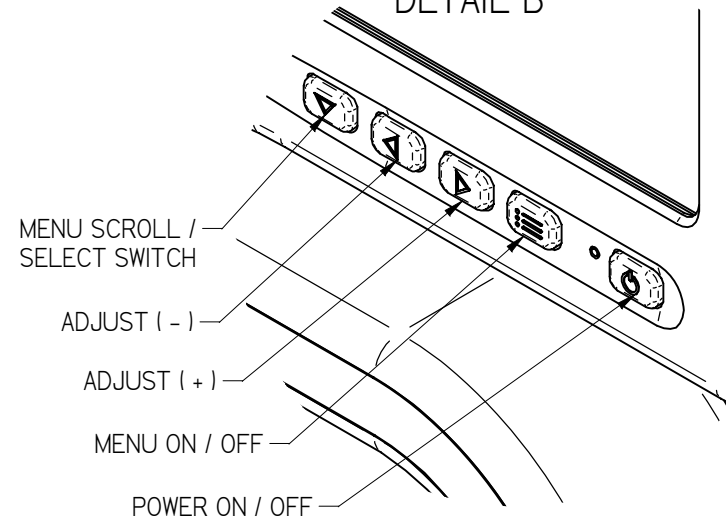
Pin #	Monitor signal
1	Chassis Ground
2	+ DC Input (Switched)*
3	DC Return
4	Select Switch**
5	Select Switch Return**
6	Reserved
7	Video Signal Input
8	Video Ground
9	Reserved

NOTES: (unless otherwise specified)

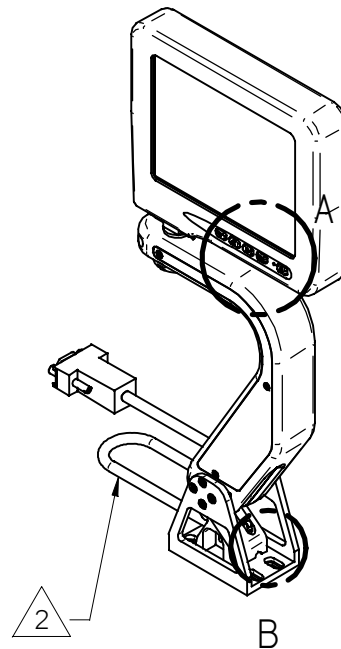
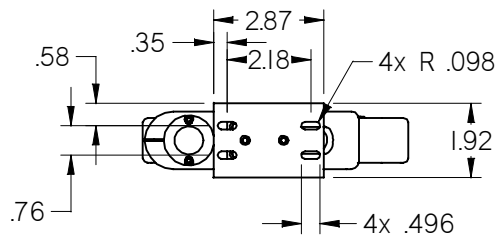
- *  PIGTAIL LENGTH 10-16"
- **3 NORMALLY CLOSED ROLLER SWITCH OPENS WHEN ARM IS IN STOWED POSITION
- **4. PINS 4 & 5 CONNECT TO A MOMENTARY RELAY SWITCH



DETAIL B



DETAIL A



THE INFORMATION CONTAINED HEREIN IS PROPRIETARY TO ROSEN AVIATION, LLC. IT SHALL NOT BE REPRODUCED OR DISCLOSED IN WHOLE OR IN PART OR USED FOR ANY DESIGN OR MANUFACTURE EXCEPT WHEN SUCH USER POSSESSES DIRECT, WRITTEN AUTHORIZATION FROM ROSEN AVIATION, LLC. THIS DRAWING MAY BE COVERED UNDER ONE OR MORE U.S. OR INTERNATIONAL PATENTS. PLEASE CONTACT ROSEN AVIATION FOR SPECIFIC INFORMATION.

ROSEN AVIATION	1020 OWEN LOOP SOUTH EUGENE, OREGON 97402 TEL: (541) 342-3802 FAX: (541) 342-4912	SIZE DWG NO A 6500-126-CD	REV B
	SCALE NONE	SHEET 2 OF 2	