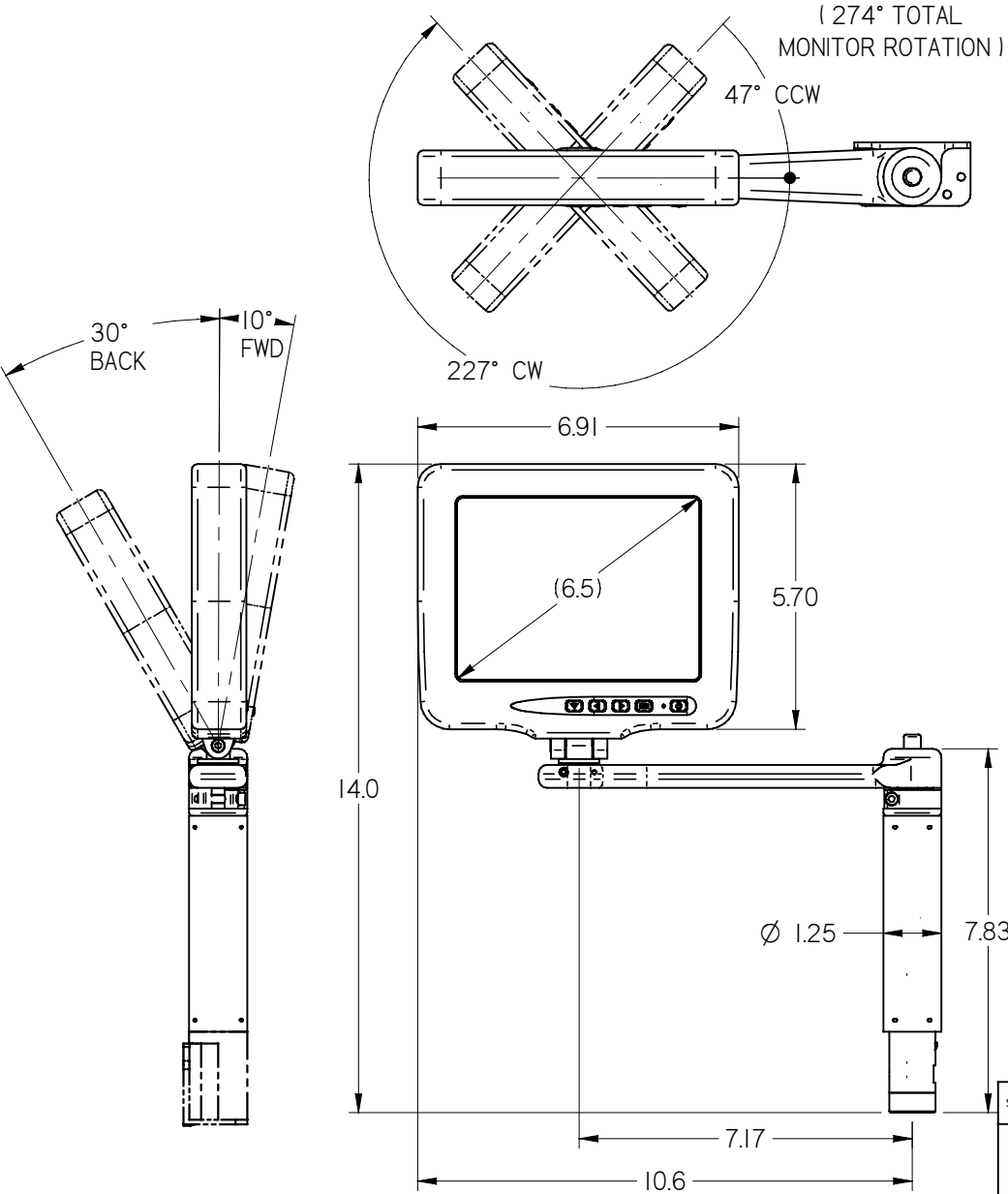
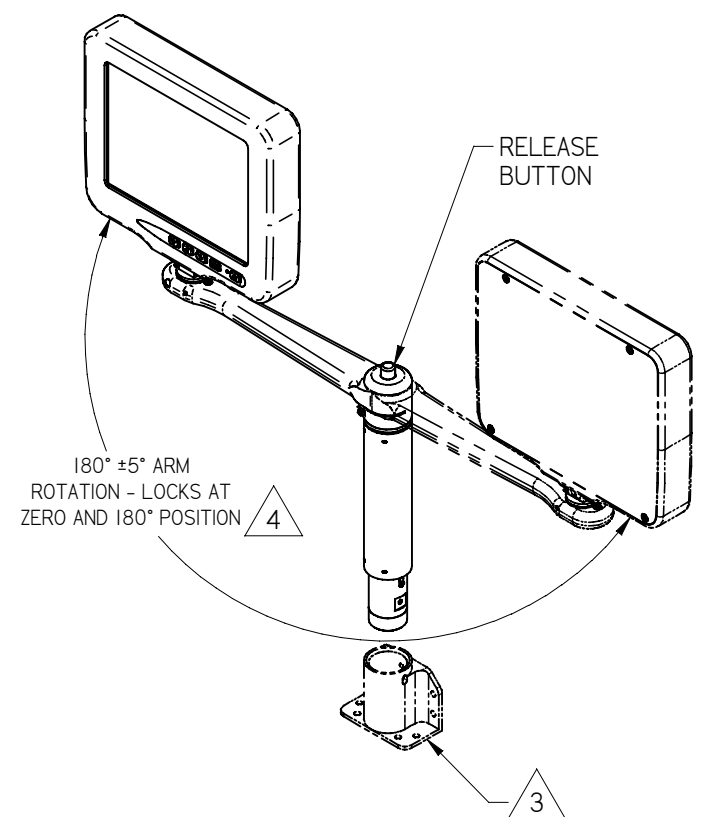


NOTES: (unless otherwise specified)

1. COMPONENT WEIGHT: 3.0 LBS. ±5%
2. LABELS, SHIPPING PACKAGE, AND SOME MINOR PARTS OMITTED FROM DRAWING FOR CLARITY
3. BASE SOLD SEPARATELY
4. FIRST HALF OF BUTTON TRAVEL RELEASES ARM ROTATION LOCK, SECOND HALF OF BUTTON TRAVEL RELEASES MONITOR/ARM ASSEMBLY FROM BASE



REVISIONS						
ZONE	REV	DESCRIPTION	DATE	BY	CHG NO	APRV
	A	INITIAL DRAWING RELEASE	06/19/08	GJH	ECO8262	



THE INFORMATION CONTAINED HEREIN IS PROPRIETARY TO ROSEN AVIATION, LLC. IT SHALL NOT BE REPRODUCED OR DISCLOSED IN WHOLE OR IN PART OR USED FOR ANY DESIGN OR MANUFACTURE EXCEPT WHEN SUCH USER POSSESSES DIRECT, WRITTEN AUTHORIZATION FROM ROSEN AVIATION. THIS DRAWING MAY BE COVERED UNDER ONE OR MORE U.S. OR INTERNATIONAL PATENTS. PLEASE CONTACT ROSEN AVIATION FOR SPECIFIC INFORMATION.

**ROSEN AVIATION** 1020 OWEN LOOP SOUTH  
EUGENE, OREGON 97402  
TEL: (541) 342-3802 FAX: (541) 342-4912

APPROVALS	INITIAL	DATE
DRAWN BY	GJH	06/19/08
CHECKER	DRF	06/19/08
ENGINEER	GJH	06/19/08

TITLE  
**OUTLINE & INSTALLATION DRAWING**  
**6.5 SLIMLINE, LOCKING PCR5 POGO**  
**ARM, PIN 4/5 JUMPER**

DWG NO  
6500-137-CD

FIRST CALLED FOR: (FCF)  
**6.5 SLIMLINE, (6500)**

SIZE	REV
A	A
SCALE 1:4	SHEET 1 OF 2

UNLESS OTHERWISE SPECIFIED DIMENSIONS ARE IN INCHES  
 .X = ± .1  
 .XX = ± .03  
 ∠ = ± 5.0°  
 INTERPRET DIM AND TOL PER ASME Y14.5M - 1994

REFER TO [www.rosenaviation.com](http://www.rosenaviation.com) FOR THE LATEST REVISION INFORMATION.

### Performance Specifications (Reference)

LCD Performance	
Screen Resolution (pixels)	640 x 480
Video Standards supported	NTSC, PAL, SECAM, RS170 (B&W)
Display Viewing Area (in)	5.14 x 3.84
Vertical Viewing Angle	+45°(up), -35°(down)
Horizontal Viewing Angle	±50°
Contrast Ratio	300
Screen Brightness	400 cd/m <sup>2</sup> typ

### Power Requirements

Nominal Voltage	12VDC OR 28VDC
Nominal Current	.32 A

### Environmental Specifications

Operating Temperature	-0C to +50C
Altitude	15,000ft
Humidity	95%RH
Vibration	1.48 grms
Power Input	DO-160D Cat AB
RF Susceptibility	DO-160D Cat TT
Emission of RF Energy	Cat B
MTBF	4467 hrs

### Base Receptacle Pinout - DB9

Slimline Base Receptacle
<b>Models: 0100-041, 0100-042, 0100-043</b>
Connector: 9 Pin Male D-Subminiature Positronic SD9M0000Z
Mate: 9 Pin Female D-Subminiature Positronic SD9F0000X

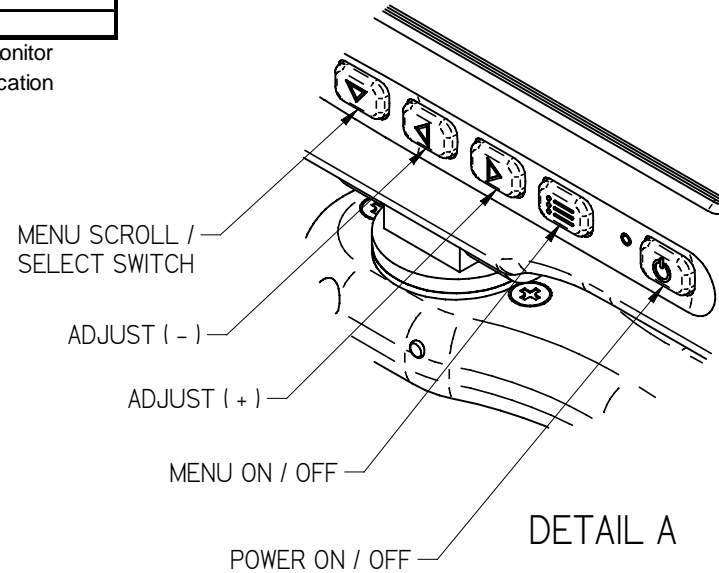
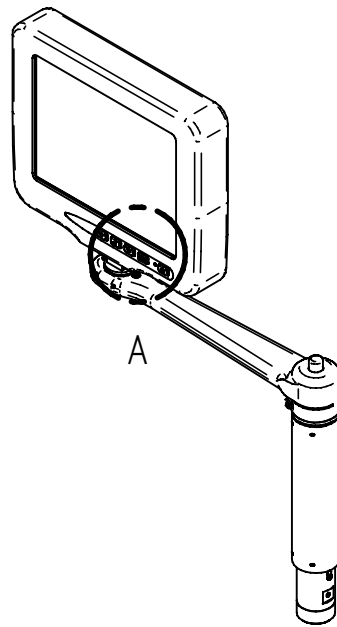
Pin #	Monitor signal
1	Reserved
2	DC Input
3	DC Return
4	Monitor Present*
5	Monitor Present*
6	Reserved
7	Video Signal Input
8	Video Ground
9	Reserved

\*Pins 4 & 5 wired together inside monitor arm to provide monitor present indication

### Base Receptacle Pinout

Slimline Base Receptacle
<b>Model 0100-040</b>
Video Connector: BNC Jack, AMP 221199-5
Power Connector: Male 3 pin, .062" Molex
Mating Video Connector: BNC Plug
Mating Power Connector: Molex 03-06-1038
Mating Power Contact: Molex 02-06-1103

Pin #	Monitor signal
BNC signal	Video Signal
BNC shield	Video Return
Molex 1	DC Input
Molex 2	DC Return
Molex 3	Reserved



THE INFORMATION CONTAINED HEREIN IS PROPRIETARY TO ROSEN AVIATION, LLC. IT SHALL NOT BE REPRODUCED OR DISCLOSED IN WHOLE OR IN PART OR USED FOR ANY DESIGN OR MANUFACTURE EXCEPT WHEN SUCH USER POSSESSES DIRECT, WRITTEN AUTHORIZATION FROM ROSEN AVIATION, LLC. THIS DRAWING MAY BE COVERED UNDER ONE OR MORE U.S. OR INTERNATIONAL PATENTS. PLEASE CONTACT ROSEN AVIATION FOR SPECIFIC INFORMATION.

ROSEN AVIATION	1020 OWEN LOOP SOUTH EUGENE, OREGON 97402 TEL: (541) 342-3802 FAX: (541) 342-4912	SIZE A	DWG NO 6500-137-CD	REV A
	SCALE NONE	SHEET 2 OF 2		