

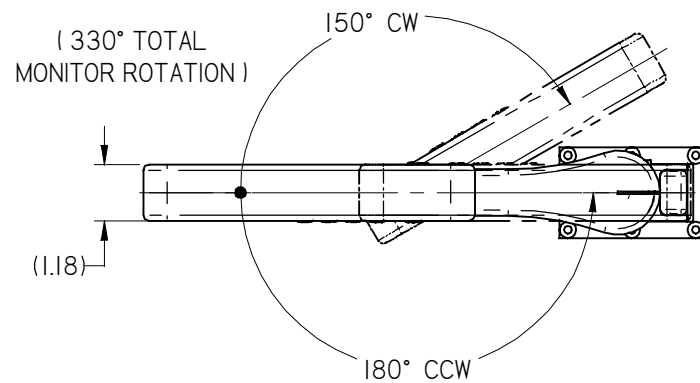
NOTES: (unless otherwise specified)

- ASSEMBLY WEIGHT: 3.2 LBS. ±5%
- BASE SOLD SEPARATELY

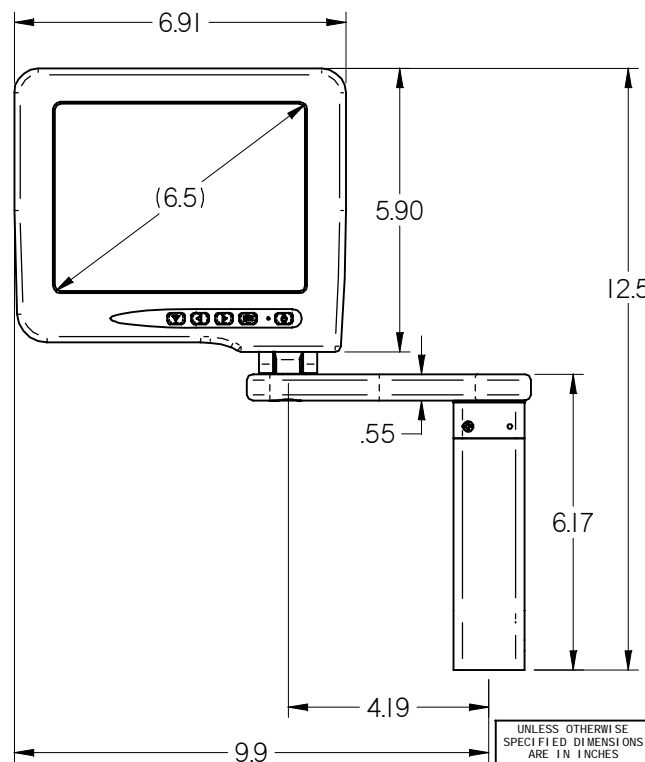
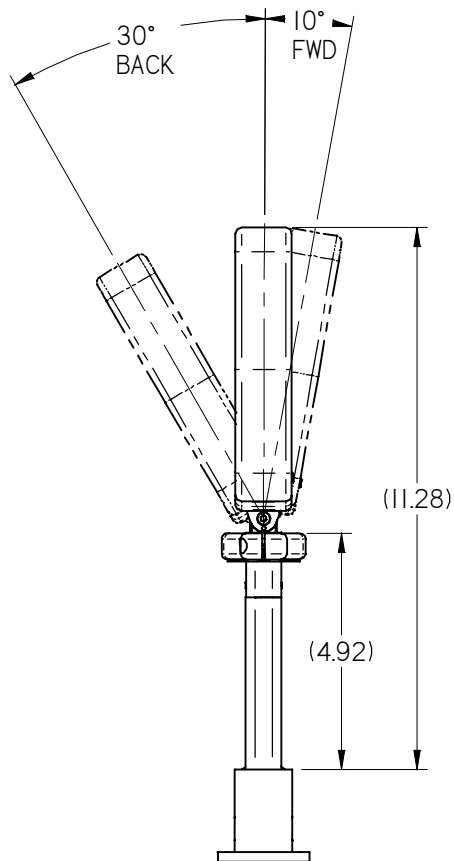
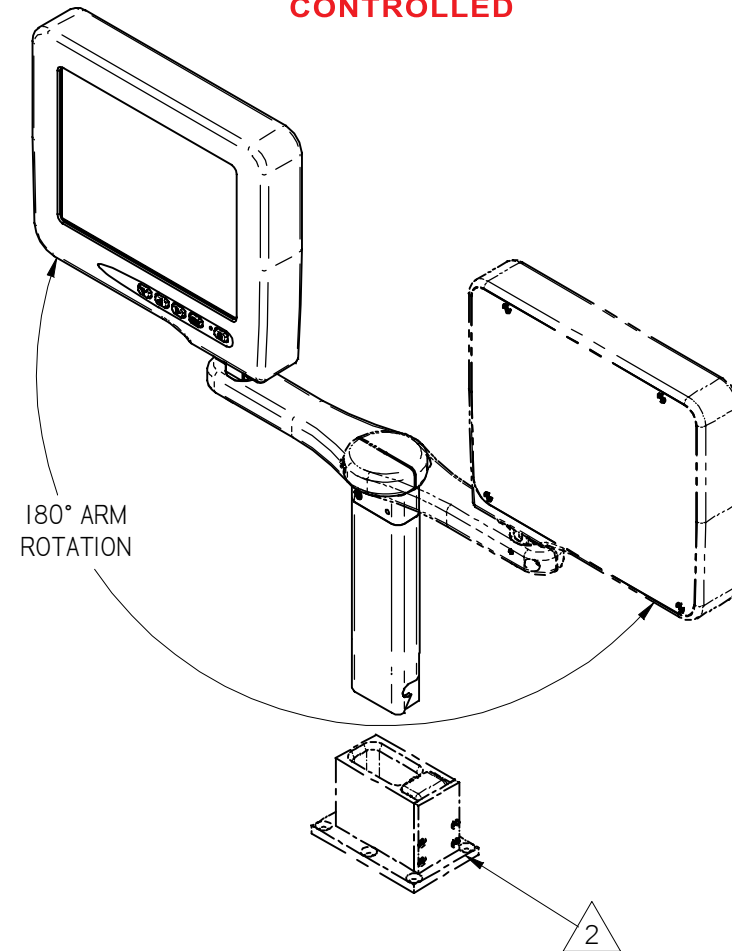
2

REVISIONS

ZONE	REV	DESCRIPTION	DATE	BY	CHG NO	APRV
	A	INITIAL DRAWING RELEASE	01/12/09	GJH	EC08502	



ELECTRONIC REVISION CONTROLLED



THE INFORMATION CONTAINED HEREIN IS PROPRIETARY TO ROSEN AVIATION, LLC. IT SHALL NOT BE REPRODUCED OR DISCLOSED IN WHOLE OR IN PART OR USED FOR ANY DESIGN OR MANUFACTURE EXCEPT WHEN SUCH USER POSSESSES DIRECT, WRITTEN AUTHORIZATION FROM ROSEN AVIATION. THIS DRAWING MAY BE COVERED UNDER ONE OR MORE U.S. OR INTERNATIONAL PATENTS. PLEASE CONTACT ROSEN AVIATION FOR SPECIFIC INFORMATION.

ROSEN AVIATION 1020 OWEN LOOP SOUTH
EUGENE, OREGON 97402
TEL: (541) 342-3802 FAX: (541) 342-4912

APPROVALS	INITIAL	DATE
DRAWN BY	GJH	11/26/08
CHECKER	DRF	12/22/08
ENGINEER	SC	01/12/09

TITLE
**OUTLINE & INSTALLATION DRAWING,
6.5" SLIMLINE, RIGHT,
UAB ARM**

FIRST CALLED FOR: (FCF)

DWG NO 6500-181-CD	
SIZE A	REV A
SCALE 1:4	SHEET 1 OF 2

UNLESS OTHERWISE SPECIFIED DIMENSIONS ARE IN INCHES
 .X = ± .1
 .XX = ± .03
 R = ± 5.0°
 RADI = ± .020
 INTERPRET DIM AND TOL PER ASME Y14.5M - 1994

REFER TO www.rosenaviation.com FOR THE LATEST REVISION INFORMATION.

1

2

Performance Specifications (Reference)

LCD Performance

Screen Resolution (pixels)	640 x 480
Video Standards supported	NTSC, PAL, SECAM, RS170 (B&W)
Display Viewing Area (in)	5.14 x 3.84
Vertical Viewing Angle	+45°(up), -35°(down)
Horizontal Viewing Angle	±50°
Contrast Ratio	300
Screen Brightness	400 cd/m ² typ

Power Requirements

Nominal Current at 28 VDC	350 ma
Nominal Current at 12 VDC	800 ma
Inrush Current	20 A for 200µsec
Op Voltage Range	10-32 VDC
Maximum Current Draw	850 ma
Power Consumption	8.5 W Max

Environmental Specifications

Operating Temperature	-0C to +50C
Altitude	15,000ft
Humidity	95%RH
Vibration	1.48 grms
Power Input	DO-160D Cat AB
RF Susceptibility	DO-160D Cat T
Emission of RF Energy	Cat-B
MTBF	4467 hrs

Base Receptacle Pinout - DB9

RNVAP Base Receptacle

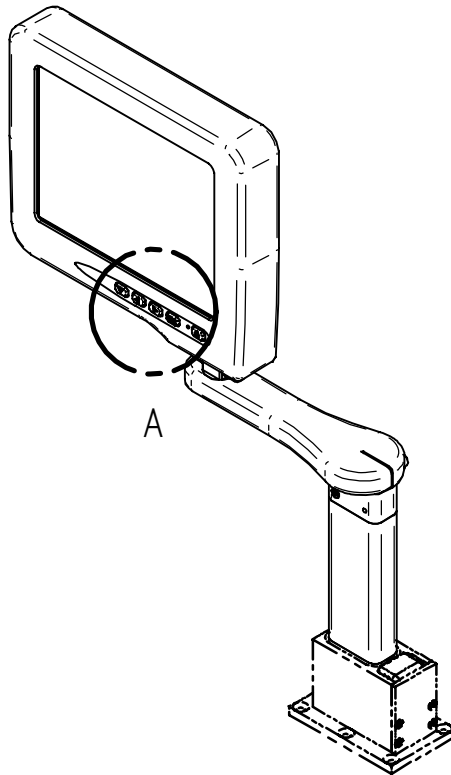
Model 0100-010

Connector: 9 Pin Male D-Subminiature
Positronic SD9M0000Z

Mate: 9 Pin Female D-Subminiature
Positronic SD9F0000X

Pin #	Monitor signal
1	Chassis Ground
2	DC Input
3	DC Return
4	Select Switch*
5	Select Switch Return*
6	Reserved
7	Video Signal Input
8	Video Ground
9	Reserved

*Pins 4 & 5 connect to a momentary relay switch



Base Receptacle Pinout-BNC/Molex

Slimline Base Receptacle

Model 0100-011

Video Connector: BNC Jack, AMP 5221199-5

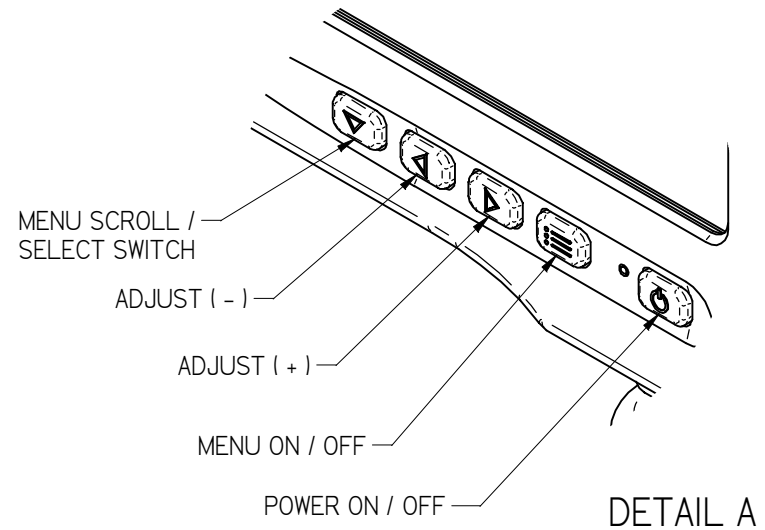
Power Connector: Male 3 pin, .062" Molex

Mating Video Connector: BNC Plug

Mating Power Connector: Molex 03-06-1038

Mating Power Contact: Molex 02-06-1103

Pin #	Monitor signal
BNC signal	Video Signal
BNC shield	Video Return
Molex 1	DC Input
Molex 2	DC Return
Molex 3	Reserved



THE INFORMATION CONTAINED HEREIN IS PROPRIETARY TO ROSEN AVIATION, LLC. IT SHALL NOT BE REPRODUCED OR DISCLOSED IN WHOLE OR IN PART OR USED FOR ANY DESIGN OR MANUFACTURE EXCEPT WHEN SUCH USER POSSESSES DIRECT, WRITTEN AUTHORIZATION FROM ROSEN AVIATION, LLC. THIS DRAWING MAY BE COVERED UNDER ONE OR MORE U.S. OR INTERNATIONAL PATENTS. PLEASE CONTACT ROSEN AVIATION FOR SPECIFIC INFORMATION.

ROSEN AVIATION	1020 OWEN LOOP SOUTH EUGENE, OREGON 97402 TEL: (541) 342-3802 FAX: (541) 342-4912	SIZE DWG NO A 6500-181-CD	REV A
	SCALE NONE SHEET 2 OF 2		