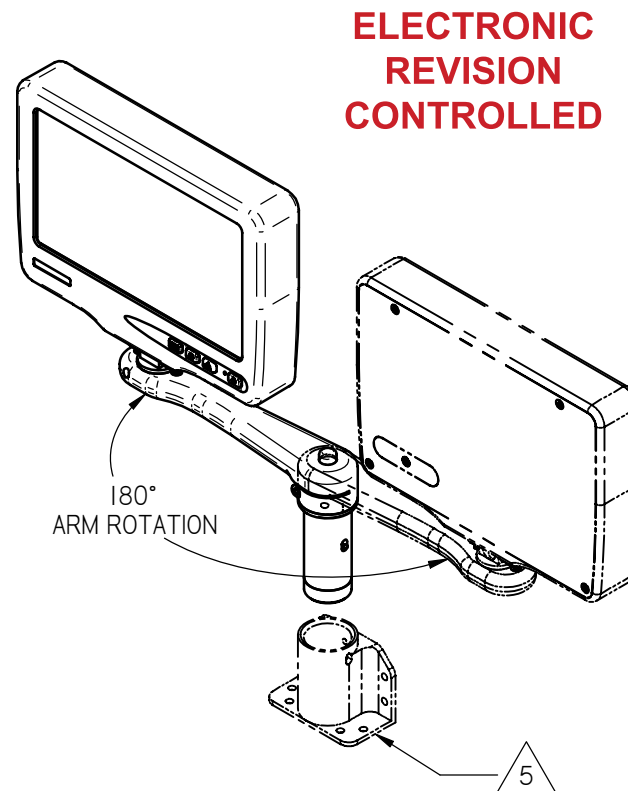
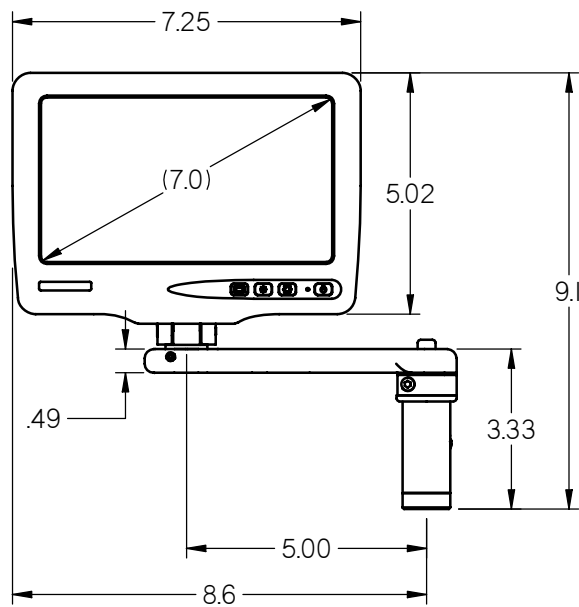
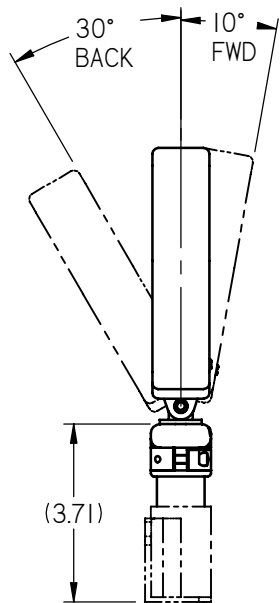
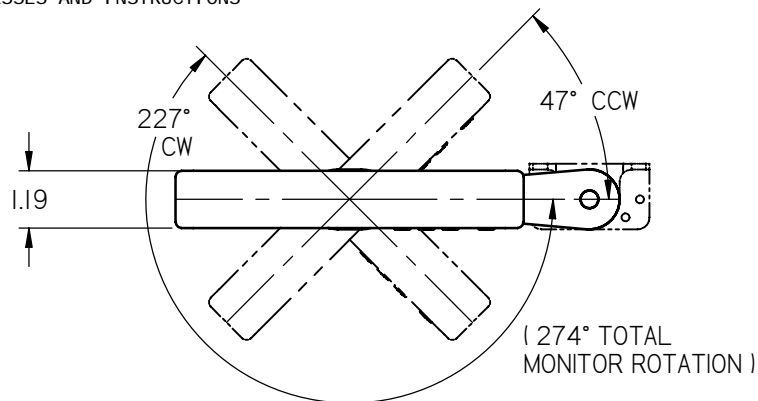


NOTES: (unless otherwise specified)

1. MATERIALS: SEE SEPARATE BOM
2. ASSEMBLY WEIGHT: 2.65 LBS. ±10%
3. OBSERVE ESD SAFE HANDLING PRACTICES.
4. SOME MINOR PARTS, LABELS, HARNESSES AND INSTRUCTIONS OMITTED FOR CLARITY.

5. BASE SOLD SEPARATELY.



| REVISIONS | | | | | | |
|-----------|-----|--|----------------------|------------|-----------------|----------|
| ZONE | REV | DESCRIPTION | DATE | BY | CHG NO | APRV |
| - | A | PRODUCTION RELEASE | 08/16/01 | JAW | 01670 | - |
| - | B | UPDATE DRAWING TO CURRENT STANDARD CHG DRAWING NUMBER TO MODEL NUMBER | 04/21/02 06/09/03 | JEA JEA | 03060c 03071 | JW JW |
| - | C | RECONFIGURE BOM, CHG ANGLE TOL FROM 2° TO 5°, UPDATE DWG STD'S | 05/16/05 | GJH | 05111 | JW |
| pg2 | D | CORRECT PINOUTS, UPDATE DWG STD'S | 09/15/05 | GJH | 05372 | JW |
| | F | CHG TO AW HARNESS | 09/18/06 | GJH | EC06196 | JW |

THE INFORMATION CONTAINED HEREIN IS PROPRIETARY TO ROSEN AVIATION, LLC. IT SHALL NOT BE REPRODUCED OR DISCLOSED IN WHOLE OR IN PART OR USED FOR ANY DESIGN OR MANUFACTURE EXCEPT WHEN SUCH USER POSSESSES DIRECT, WRITTEN AUTHORIZATION FROM ROSEN AVIATION. THIS DRAWING MAY BE COVERED UNDER ONE OR MORE U.S. OR INTERNATIONAL PATENTS. PLEASE CONTACT ROSEN AVIATION FOR SPECIFIC INFORMATION.

| | | | |
|--|-----------|----------|----------|
| ROSEN AVIATION 1020 OWEN LOOP SOUTH EUGENE, OREGON 97402 TEL: (541) 342-3802 FAX: (541) 342-4912 | APPROVALS | INITIAL | DATE |
| | DRAWN BY | JAW | 08/16/01 |
| TITLE CENTER, SXP5 ARM FIRST CALLED FOR: (FCF) 7" WIDESCREEN | CHECKER | JEAN | 08/16/01 |
| | ENGINEER | CT | 08/16/01 |
| DWG NO | | 7000-010 | |
| SIZE | A | REV | F |
| SCALE | 1:4 | SHEET | 1 OF 2 |

UNLESS OTHERWISE SPECIFIED DIMENSIONS ARE IN INCHES
 .X = ± .1
 .XX = ± .03
 ± 5°
 INTERPRET DIM AND TOL PER ASME Y14.5M - 1994

Performance Specifications (Reference)

| LCD Performance | |
|----------------------------|--------------------------------|
| Screen Resolution (pixels) | 480 x 234 |
| Video Standards supported | NTSC |
| Display Viewing Area (in) | 6.07 x 3.43 |
| Vertical Viewing Angle | +45°(up), -60°(down) |
| Horizontal Viewing Angle | ±60° |
| Contrast Ratio | 60 MIN |
| Backlight Lamp Life | 10,000 hours |
| Screen Brightness | 350 cd/m2 typ 260 cd/m2 min |

| Power Requirements | |
|--------------------|-------|
| Nominal Voltage | 28VDC |
| Nominal Current | .31 A |
| Current Max | .40 A |

| Environmental Specifications | |
|------------------------------|----------------|
| Operating Temperature | 0°C - 60°C |
| Altitude | 15,000ft |
| Humidity | 95%RH |
| Vibration | 1.48 grms |
| Power Input | DO-160D Cat AB |
| RF Susceptibility | DO-160D Cat TT |
| Emission of RF Energy | DO-160D Cat B |

| MTBF Prediction | 1,785 hours |
|-----------------|-------------|
|-----------------|-------------|

Base Receptacle Pinout - DB9

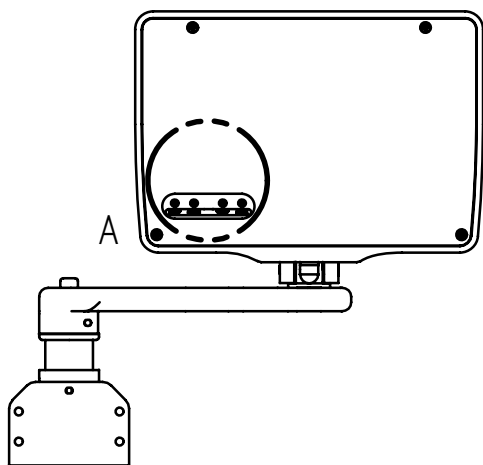
| Slimline Base Receptacle * | |
|----------------------------|---|
| Model 0100-002 & 0100-004 | |
| Connector: | 9 Pin Male D-Subminiature Positronic SD9M0000Z |
| Mate: | 9 Pin Female D-Subminiature Positronic SD9F0000X |

| Pin # | Monitor signal |
|-------|--------------------|
| 1 | Chassis Ground |
| 2 | +28V DC |
| 3 | DC Return |
| 4 | Connected to pin 5 |
| 5 | Connected to pin 4 |
| 6 | Reserved |
| 7 | Video Signal Input |
| 8 | Video Ground |
| 9 | Reserved |

Base Receptacle Pinout-BNC/Molex

| Slimline Base Receptacle | |
|--------------------------|-------------------------|
| Model 0100-005 | |
| Video Connector: | BNC Jack, AMP 221199-5 |
| Power Connector: | Male 3 pin, .062" Molex |
| Mating Video Connector: | BNC Plug |
| Mating Power Connector: | Molex 03-06-1038 |
| Mating Power Contact: | Molex 02-06-1103 |

| Pin # | Monitor signal |
|------------|----------------|
| BNC signal | Video Signal |
| BNC shield | Video Return |
| Molex 1 | DC Input |
| Molex 2 | DC Return |
| Molex 3 | Reserved |



DETAIL A

Notes:

- * BASE SOLD SEPARATELY
- ** FINE TUNING ADJUSTMENT OF DISPLAY AVAILABLE BY REMOVING ACCESS PANEL ON BACK OF MONITOR (DETAIL A).

THE INFORMATION CONTAINED HEREIN IS PROPRIETARY TO ROSEN AVIATION, LLC. IT SHALL NOT BE REPRODUCED OR DISCLOSED IN WHOLE OR IN PART OR USED FOR ANY DESIGN OR MANUFACTURE EXCEPT WHEN SUCH USER POSSESSES DIRECT, WRITTEN AUTHORIZATION FROM ROSEN AVIATION, LLC. THIS DRAWING MAY BE COVERED UNDER ONE OR MORE U.S. OR INTERNATIONAL PATENTS. PLEASE CONTACT ROSEN AVIATION FOR SPECIFIC INFORMATION.

| | | | | |
|-------------------|---|-------|----------|--------------|
| ROSEN AVIATION | 1020 OWEN LOOP SOUTH EUGENE, OREGON 97402 TEL: (541) 342-3802 FAX: (541) 342-4912 | SIZE | DWG NO | REV |
| | | A | 7000-010 | F |
| | | SCALE | NONE | SHEET 2 OF 2 |