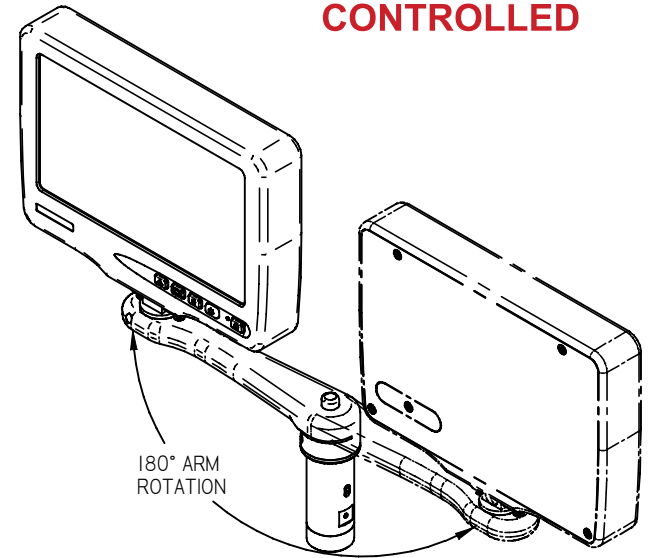
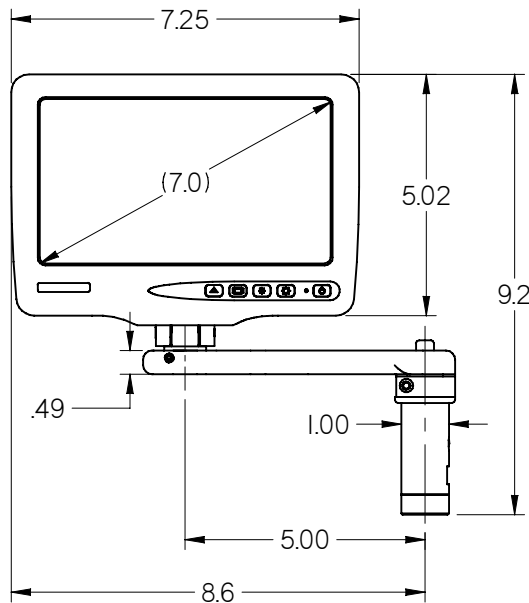
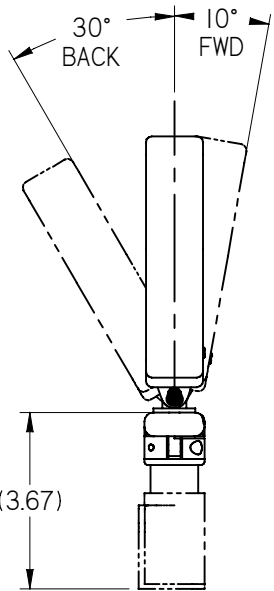
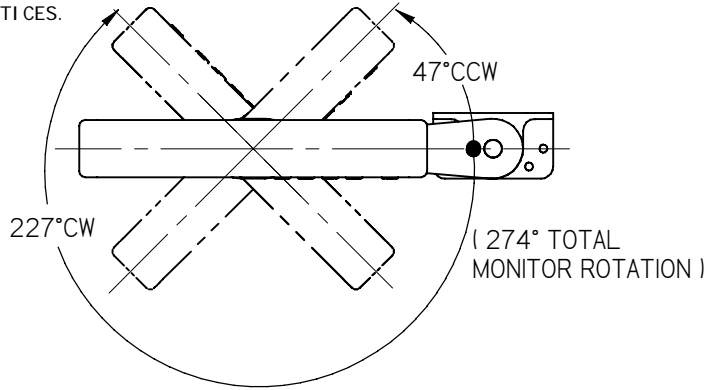
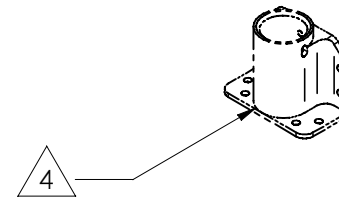


NOTES: (unless otherwise specified)

1. MATERIAL: SEE SEPARATE BOM
2. COMPONENT WEIGHT: 2.58 lbs. ± 10%
3. LABELS, SHIPPING PACKAGE, AND SOME MINOR PARTS OMITTED FROM DRAWING FOR CLARITY.
4. BASE SOLD SEPARATELY
5. OBSERVE SED SAFE HANDLING PRACTICES.



**ELECTRONIC  
REVISION  
CONTROLLED**



REVISIONS						
ZONE	REV	DESCRIPTION	DATE	BY	CHG NO	APRV
-	A	INITIAL RELEASE	11/06/03	GJH	3314	-
-	B	RECONFIGURE BOM, CHG ANGLE TOL FROM 2° TO 5°	05/16/05	GJH	05111	JW
	C	CHG TO AW HARNESS	09/18/06	GJH	EC06196	JW
	D	UPDATE BOM - ADD PMA LABEL	09/26/07	GJH	EC07346	SF

THE INFORMATION CONTAINED HEREIN IS PROPRIETARY TO ROSEN AVIATION, LLC. IT SHALL NOT BE REPRODUCED OR DISCLOSED IN WHOLE OR IN PART OR USED FOR ANY DESIGN OR MANUFACTURE EXCEPT WHEN SUCH USER POSSESSES DIRECT, WRITTEN AUTHORIZATION FROM ROSEN AVIATION. THIS DRAWING MAY BE COVERED UNDER ONE OR MORE U.S. OR INTERNATIONAL PATENTS. PLEASE CONTACT ROSEN AVIATION FOR SPECIFIC INFORMATION.

**Rosen Aviation** 1020 OWEN LOOP SOUTH  
EUGENE, OREGON 97402  
TEL: (541) 342-3802 FAX: (541) 342-4912

APPROVALS	INITIAL	DATE
DRAWN BY	GJH	11/06/03
CHECKER	JW	11/10/03
ENGINEER	SDS	11/17/03

TITLE  
**CENTER MOUNT w/SELECT SWITCH,  
SXP5 POGO ARM**

DWG NO  
7000-015

FIRST CALLED FOR: (FCF)

SIZE	REV
A	D

**7" WIDESCREEN**

SCALE NONE SHEET 1 OF 2

UNLESS OTHERWISE SPECIFIED DIMENSIONS ARE IN INCHES

.X = ± .1  
.XX = ± .03

= ± 5.0°

INTERPRET DIM AND TOL PER ASME Y14.5M - 1994

## Performance Specifications (Reference)

LCD Performance	
Screen Resolution (pixels)	480 x 234
Video Standards supported	NTSC
Display Viewing Area (in)	6.07 x 3.43
Horizontal Viewing Angle (CR>5)	+60°(down), -45°(up)
Vertical Viewing Angle (CR>5)	±60°
Contrast Ratio	60:1 min, 200:1
Backlight Lamp Life	10,000 hours
Screen Brightness	350 cd/m <sup>2</sup> typ 260 cd/m <sup>2</sup> min

Power Requirements	
Nominal Voltage	28VDC
Nominal Current	.31 A
Current Max	.40 A

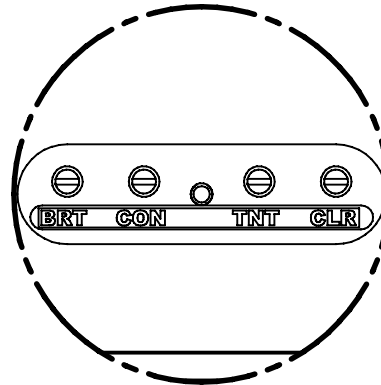
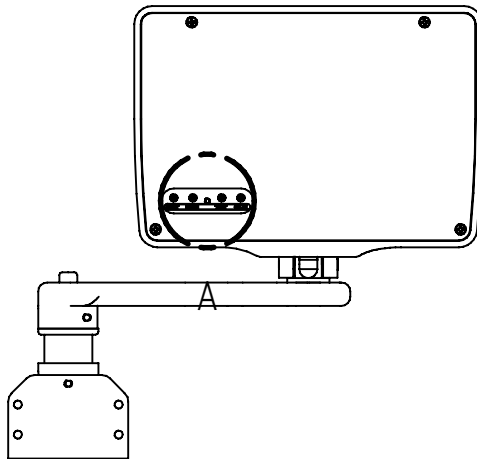
Environmental Specifications	
Operating Temperature	0°C - 60°C
Altitude	15,000ft
Humidity	95%RH
Vibration	1.48 grms
Power Input	DO-160D Cat AB
RF Susceptibility	DO-160D Cat TT
Emission of RF Energy	DO-160D Cat B

<b>MTBF Prediction</b>	1,785 hours
------------------------	-------------

## DB 9 Pinout\*

Slimline Base Receptacle Model 0100-041	
Connector:	9 Pin Male D-Subminiature Positronic SD9M0000Z
Mate:	9 Pin Female D-Subminiature Positronic SD9F0000X

Pin #	Monitor signal
1	Reserved
2	+28V DC
3	DC Return
4	Select Switch
5	Select Switch Return
6	Reserved
7	Video Signal Input
8	Video Ground
9	Reserved



DETAIL A

## Notes:

- \* BASE SOLD SEPARATELY
- \*\* FINE TUNING ADJUSTMENT OF DISPLAY AVAILABLE BY REMOVING ACCESS PANEL ON BACK OF MONITOR (DETAIL A).

<small>THE INFORMATION CONTAINED HEREIN IS PROPRIETARY TO ROSEN AVIATION, LLC. IT SHALL NOT BE REPRODUCED OR DISCLOSED IN WHOLE OR IN PART OR USED FOR ANY DESIGN OR MANUFACTURE EXCEPT WHEN SUCH USER POSSESSES DIRECT, WRITTEN AUTHORIZATION FROM ROSEN AVIATION, LLC. THIS DRAWING MAY BE COVERED UNDER ONE OR MORE U.S. OR INTERNATIONAL PATENTS. PLEASE CONTACT ROSEN AVIATION FOR SPECIFIC INFORMATION.</small>				
	1020 OWEN LOOP SOUTH EUGENE, OREGON 97402 TEL: (541) 342-3802 FAX: (541) 342-4912	SIZE A	DWG NO 7000-015	REV D
	SCALE NONE	SHEET 2 OF 2		