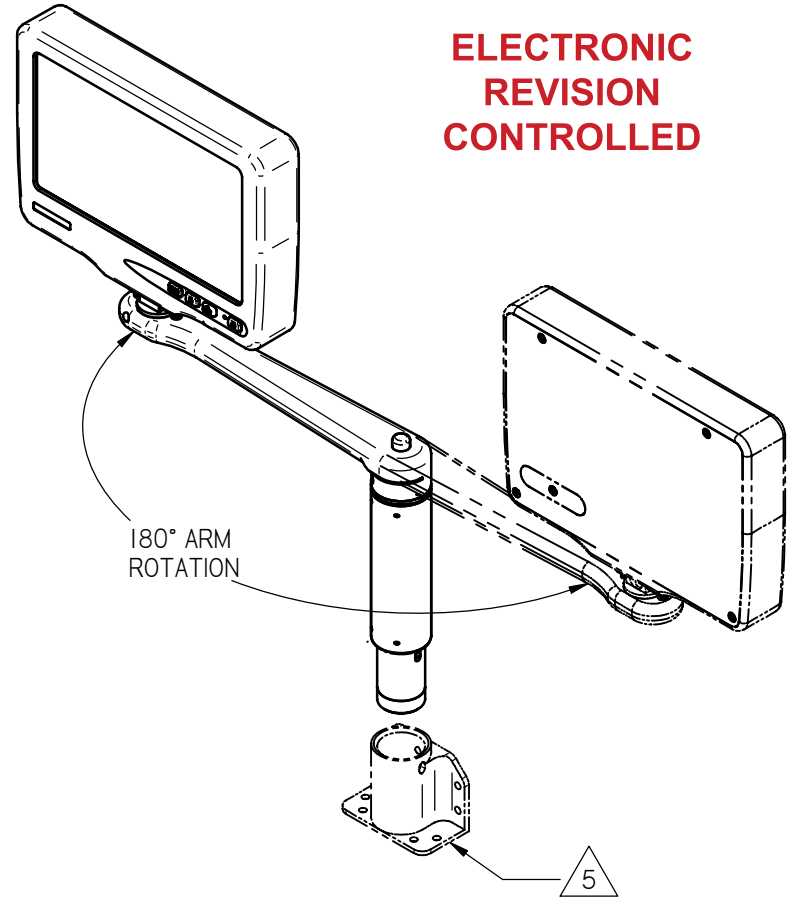
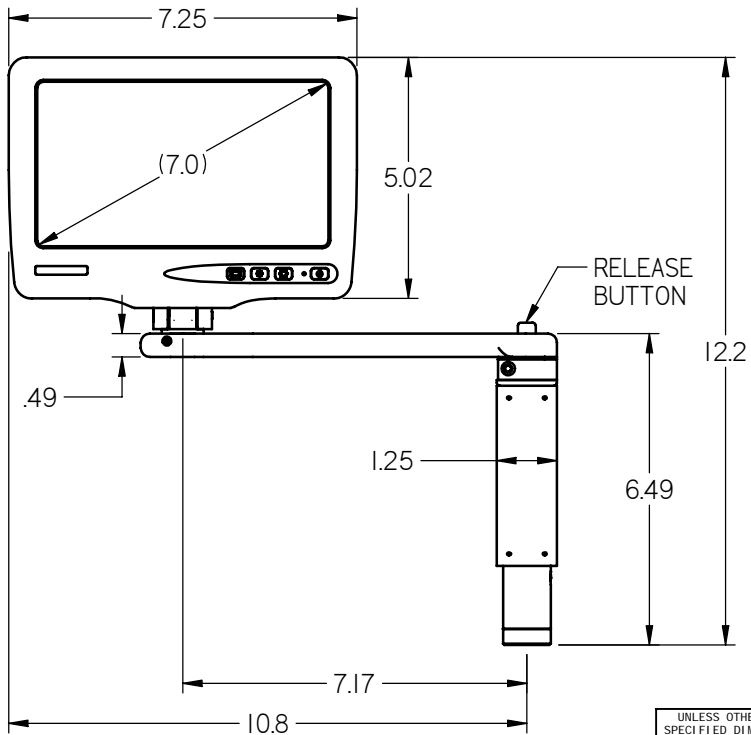
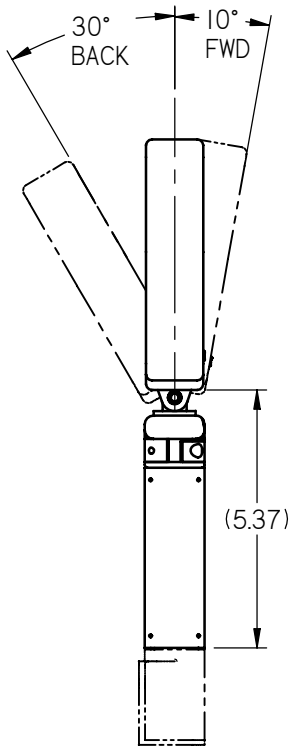
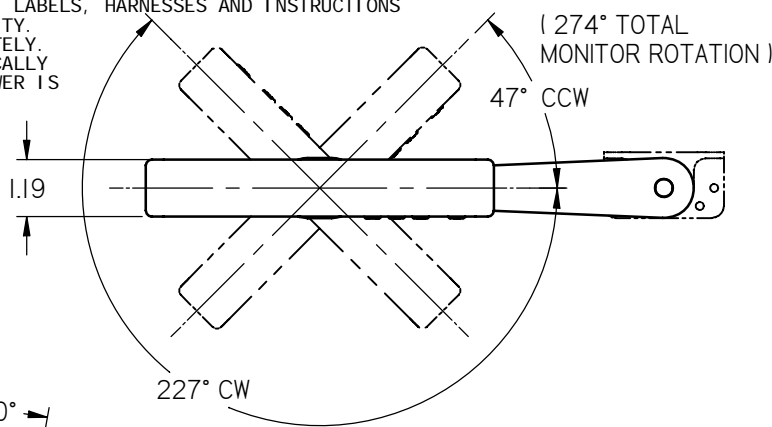


NOTES: (unless otherwise specified)

1. MATERIALS: SEE SEPARATE BOM
2. ASSEMBLY WEIGHT: 3.0 LBS. ± 10%
3. OBSERVE ESD SAFE HANDLING PRACTICES.
4. SOME MINOR PARTS, LABELS, HARNESSES AND INSTRUCTIONS OMITTED FOR CLARITY.
5. BASE SOLD SEPARATELY.
6. MONITOR AUTOMATICALLY TURNS ON WHEN POWER IS APPLIED

2 REVISIONS

ZONE	REV	DESCRIPTION	DATE	BY	CHG NO	APRV
-	A	PRODUCTION RELEASE	04/09/02	JEA	03162	-
-	B	RECONFIGURE BOM, CHG ANGLE TOL FROM 2° TO 5°, UPDATE DWG STD'S	05/16/05	GJH	05111	JW
	C	CHG TO AW HARNESS	09/18/06	GJH	EC06196	JW



THE INFORMATION CONTAINED HEREIN IS PROPRIETARY TO ROSEN AVIATION, LLC. IT SHALL NOT BE REPRODUCED OR DISCLOSED IN WHOLE OR IN PART OR USED FOR ANY DESIGN OR MANUFACTURE EXCEPT WHEN SUCH USER POSSESSES DIRECT, WRITTEN AUTHORIZATION FROM ROSEN AVIATION. THIS DRAWING MAY BE COVERED UNDER ONE OR MORE U.S. OR INTERNATIONAL PATENTS. PLEASE CONTACT ROSEN AVIATION FOR SPECIFIC INFORMATION.

<b>Rosen AVIATION</b> 1020 OWEN LOOP SOUTH EUGENE, OREGON 97402 TEL: (541) 342-3802 FAX: (541) 342-4912	APPROVALS	INITIAL	DATE
	DRAWN BY	JEA	06/30/03
	CHECKER	SDS	06/30/03
	ENGINEER	JW	06/30/03
TITLE	DWG NO		
<b>CENTER MOUNT PCP5 ARM/AUTO ON</b>	7000-022		
FIRST CALLED FOR: (FCF)	SIZE	REV	
<b>7" WIDESCREEN</b>	A	C	
	SCALE	SHEET	OF 2
	1 : 4	1	2

UNLESS OTHERWISE SPECIFIED DIMENSIONS ARE IN INCHES  
 .X = ± .1  
 .XX = ± .03  
 .XXX = ± .010  
 = ± 5°  
 INTERPRET DIM AND TOL PER ASME Y14.5M - 1994

## Performance Specifications (Reference)

### LCD Performance

Screen Resolution (pixels)	480 x 234
Video Standards supported	NTSC
Display Viewing Area (in)	6.07 x 3.43
Vertical Viewing Angle	+45°(up), -60°(down)
Horizontal Viewing Angle	±60°
Contrast Ratio	60 MIN
Backlight Lamp Life	10,000 hours
Screen Brightness	350 cd/m2 typ 260 cd/m2 min

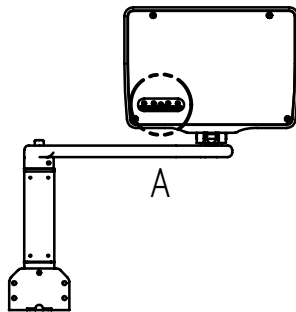
### Power Requirements

Nominal Voltage	28VDC
Nominal Current	.31 A
Current Max	.40 A

### Environmental Specifications

Operating Temperature	0°C - 60°C
Altitude	15,000ft
Humidity	95%RH
Vibration	1.48 grms
Power Input	DO-160D Cat AB
RF Susceptibility	DO-160D Cat TTX
Emission of RF Energy	DO-160D Cat B

<b>MTBF Prediction</b>	1,785 hours
------------------------	-------------



## DB 9 Pinout

### Slimline Base Receptacle Model 0100-002 & 0100-004

Connector: 9 Pin Male D-Subminiature  
Positronic SDM0000Z

Mate: 9 Pin Female D-Subminiature  
Positronic SD9F0000X

Pin #	Monitor signal
1	Chassis Ground
2	+28V DC
3	DC Return
4	Connected to pin 5
5	Connected to pin 4
6	Reserved
7	Video Signal Input
8	Video Ground
9	Reserved

## BNC / Molex Pinout

### Slimline Base Receptacle Model 0100-005

Video Connector: BNC Jack, AMP 221199-5

Power Connector: Male 3 pin, .062" Molex

Mating Video Connector: BNC Jack

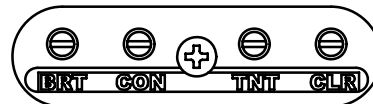
Mating Power Connector: Molex 03-06-1038

Mating Power Contact: Molex 02-06-1103

Pin #	Monitor signal
BNC signal	Video Signal
BNC shield	Video Return
Molex 1	+28V DC
Molex 2	DC Return
Molex 3	Reserved

## Notes:

- \* BASE SOLD SEPARATELY
- \*\* FINE TUNING ADJUSTMENT OF DISPLAY AVAILABLE BY REMOVING ACCESS PANEL ON BACK OF MONITOR (DETAIL A).



DETAIL A \*\*

THE INFORMATION CONTAINED HEREIN IS PROPRIETARY TO ROSEN AVIATION, LLC. IT SHALL NOT BE REPRODUCED OR DISCLOSED IN WHOLE OR IN PART OR USED FOR ANY DESIGN OR MANUFACTURE EXCEPT WHEN SUCH USER POSSESSES DIRECT, WRITTEN AUTHORIZATION FROM ROSEN AVIATION, LLC. THIS DRAWING MAY BE COVERED UNDER ONE OR MORE U.S. OR INTERNATIONAL PATENTS. PLEASE CONTACT ROSEN AVIATION FOR SPECIFIC INFORMATION.

<b>ROSEN AVIATION</b>	1020 OWEN LOOP SOUTH EUGENE, OREGON 97402 TEL: (541) 342-3802 FAX: (541) 342-4912	SIZE	DWG NO	REV
		A	7000-022	C
		SCALE	NONE	SHEET 2 OF 2