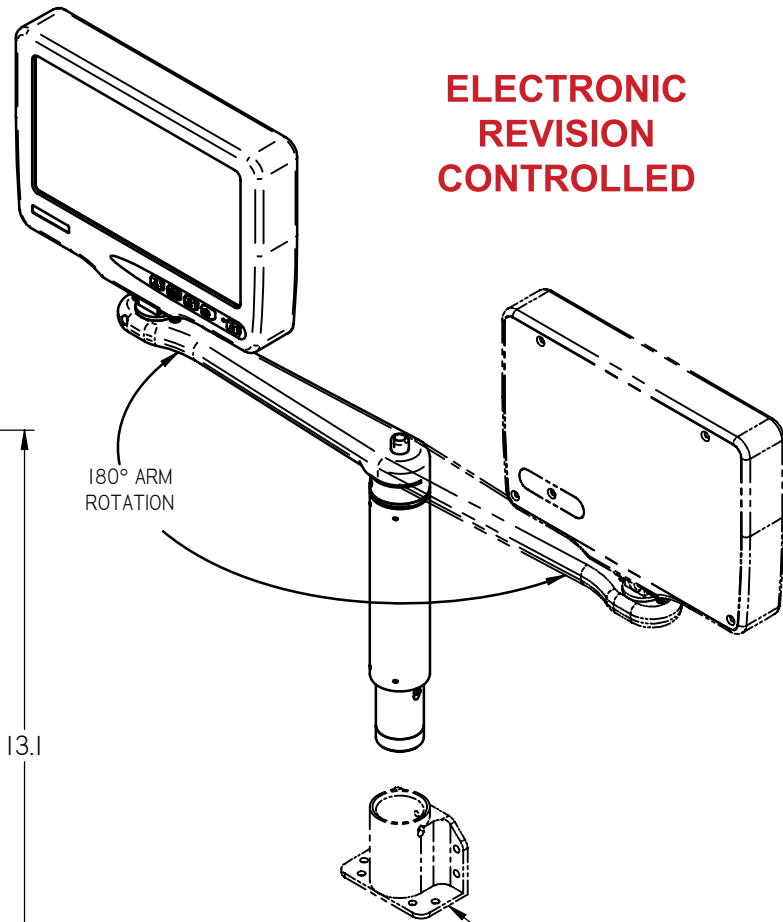
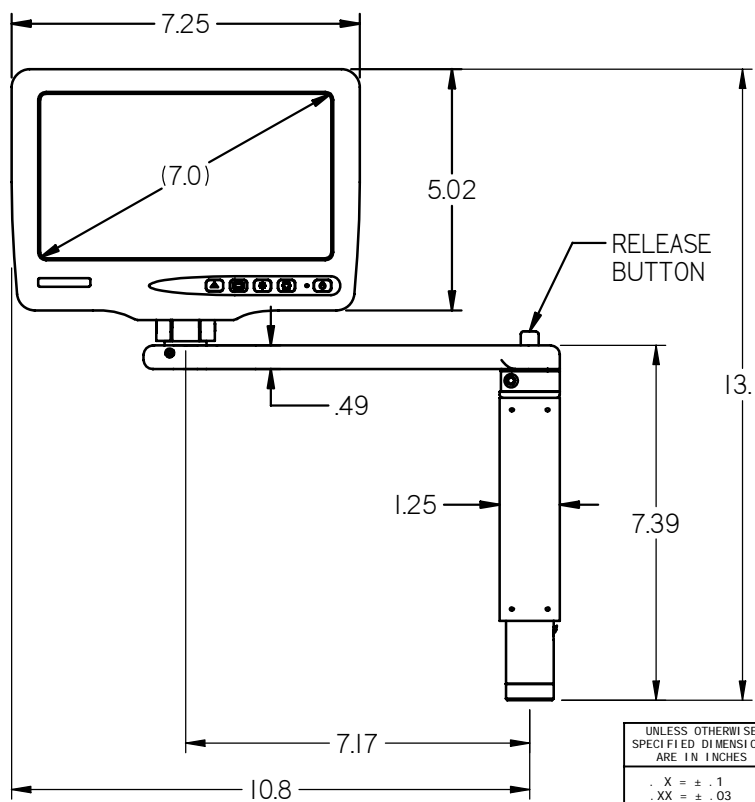
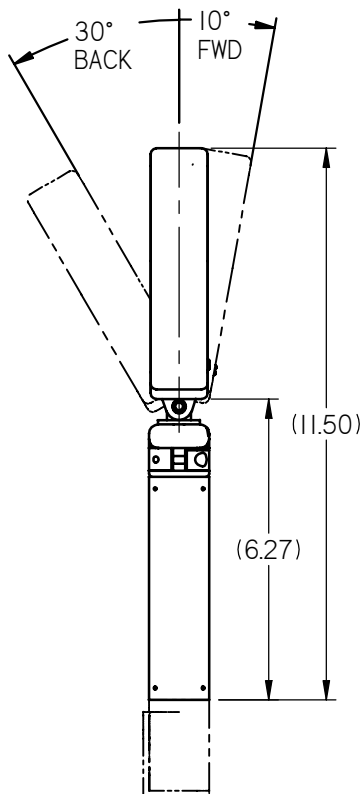
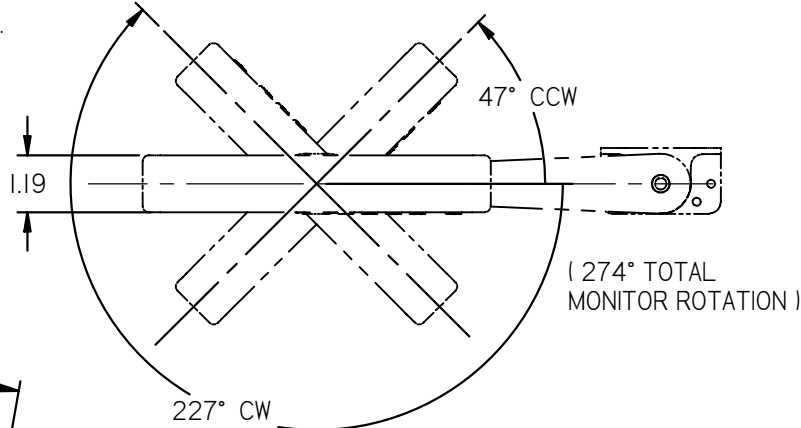


NOTES: (unless otherwise specified)

1. MATERIALS: SEE SEPARATE BOM
  2. ASSEMBLY WEIGHT: 3.0 LBS. ± 10%
  3. OBSERVE ESD SAFE HANDLING PRACTICES.
  4. SOME MINOR PARTS, LABELS, HARNESSES AND INSTRUCTIONS OMITTED FOR CLARITY.
- ⚠ BASE SOLD SEPARATELY.

2 REVISIONS

| ZONE | REV | DESCRIPTION  | DATE     | BY  | CHG NO  | APRV |
|------|-----|--|----------|-----|---------|------|
| -    | B   | CHG DRAWING TO NEW FORMAT                                      | 03/18/02 | JAW | 02190   | -    |
| -    | C   | CHANGE TLA PART NUMBER TO PART NUMBER, UPDATE BORDER           | 05/19/03 | JEA | 03071   | JW   |
| -    | D   | RECONFIGURE BOM, CHG ANGLE TOL FROM 2° TO 5°, UPDATE DWG STD's | 05/16/05 | GJH | 05111   | JW   |
|      | F   | CHG TO AW HARNESS  | 09/18/06 | GJH | EC06196 | JW   |



THE INFORMATION CONTAINED HEREIN IS PROPRIETARY TO ROSEN AVIATION, LLC. IT SHALL NOT BE REPRODUCED OR DISCLOSED IN WHOLE OR IN PART OR USED FOR ANY DESIGN OR MANUFACTURE EXCEPT WHEN SUCH USER POSSESSES DIRECT, WRITTEN AUTHORIZATION FROM ROSEN AVIATION. THIS DRAWING MAY BE COVERED UNDER ONE OR MORE U.S. OR INTERNATIONAL PATENTS. PLEASE CONTACT ROSEN AVIATION FOR SPECIFIC INFORMATION.

**Rosen AVIATION** 1020 OWEN LOOP SOUTH  
EUGENE, OREGON 97402  
TEL: (541) 342-3802 FAX: (541) 342-4912

| APPROVALS | INITIAL | DATE     |
|-----------|---------|----------|
| DRAWN BY  | JAW     | 02/27/02 |
| CHECKER   | JW      | 03/26/02 |
| ENGINEER  | CT      | 03/26/02 |

TITLE  
**CENTER MOUNT w/SELECT SWITCH,  
PCR5 ARM**  
FIRST CALLED FOR: (FCF)  
**7" WIDESCREEN**

|                    |                 |
|--------------------|-----------------|
| DWG NO<br>7000-033 |                 |
| SIZE<br>A          | REV<br>F        |
| SCALE<br>1:4       | SHEET<br>1 OF 2 |

UNLESS OTHERWISE SPECIFIED DIMENSIONS ARE IN INCHES  
 .X = ± .1  
 .XX = ± .03  
 ∠ = ± 5°  
 INTERPRET DIM AND TOL PER ASME Y14.5M - 1994

## Performance Specifications (Reference)

| LCD Performance            |                                |
|----------------------------|--------------------------------|
| Screen Resolution (pixels) | 480 x 234                      |
| Video Standards supported  | NTSC                           |
| Display Viewing Area (in)  | 6.07 x 3.43                    |
| Horizontal Viewing Angle   | +60°(up), -45°(down)           |
| Vertical Viewing Angle     | ±60°                           |
| Contrast Ratio             | 60                             |
| Backlight Lamp Life        | 10,000 hours                   |
| Screen Brightness          | 350 cd/m2 typ<br>260 cd/m2 min |

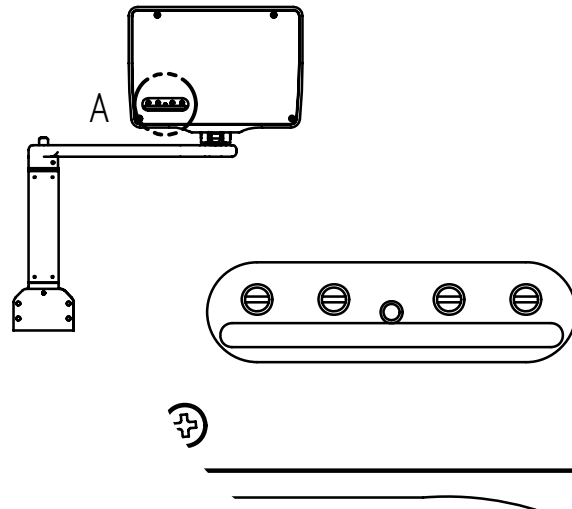
| Power Requirements |       |
|--------------------|-------|
| Nominal Voltage    | 28VDC |
| Nominal Current    | .31 A |
| Current Max        | .40 A |

| Environmental Specifications |                 |
|------------------------------|-----------------|
| Operating Temperature        | 0°C - 60°C      |
| Altitude                     | 15,000ft        |
| Humidity                     | 95%RH           |
| Vibration                    | 1.48 grms       |
| Power Input                  | DO-160D Cat AB  |
| RF Susceptibility            | DO-160D Cat TTX |
| Emission of RF Energy        | DO-160D Cat B   |

|                        |             |
|------------------------|-------------|
| <b>MTBF Prediction</b> | 1,785 hours |
|------------------------|-------------|

## 9 Pin Pinout\*

| Slimline Base Receptacle<br>Model 0100-002 & 0100-004       |                      |
|---|----------------------|
| Connector: 9 Pin Male D-Subminiature<br>Positronic SDM0000Z |                      |
| Mate: 9 Pin Female D-Subminiature<br>Positronic SD9F0000X   |                      |
| Pin #   | Monitor signal       |
| 1   | Chassis Ground       |
| 2   | +28V DC              |
| 3   | DC Return            |
| 4   | Select Switch        |
| 5   | Select Switch Return |
| 6   | Reserved             |
| 7   | Video Signal Input   |
| 8   | Video Ground         |
| 9   | Reserved             |



DETAIL A\*\*

## Notes:

- \* BASE SOLD SEPARATELY
- \*\* FINE TUNING ADJUSTMENT OF DISPLAY AVAILABLE BY REMOVING ACCESS PANEL ON BACK OF MONITOR (DETAIL A).

THE INFORMATION CONTAINED HEREIN IS PROPRIETARY TO ROSEN AVIATION, LLC. IT SHALL NOT BE REPRODUCED OR DISCLOSED IN WHOLE OR IN PART OR USED FOR ANY DESIGN OR MANUFACTURE EXCEPT WHEN SUCH USER POSSESSES DIRECT, WRITTEN AUTHORIZATION FROM ROSEN AVIATION, LLC. THIS DRAWING MAY BE COVERED UNDER ONE OR MORE U.S. OR INTERNATIONAL PATENTS. PLEASE CONTACT ROSEN AVIATION FOR SPECIFIC INFORMATION.

|                          |   |              |                    |          |
|--------------------------|---|--------------|--------------------|----------|
| <b>ROSEN</b><br>AVIATION | 1020 OWEN LOOP SOUTH<br>EUGENE, OREGON 97402<br>TEL: (541) 342-3802 FAX: (541) 342-4912 | SIZE<br>A    | DWG NO<br>7000-033 | REV<br>F |
|                          | SCALE NONE  | SHEET 2 OF 2 |                    |          |