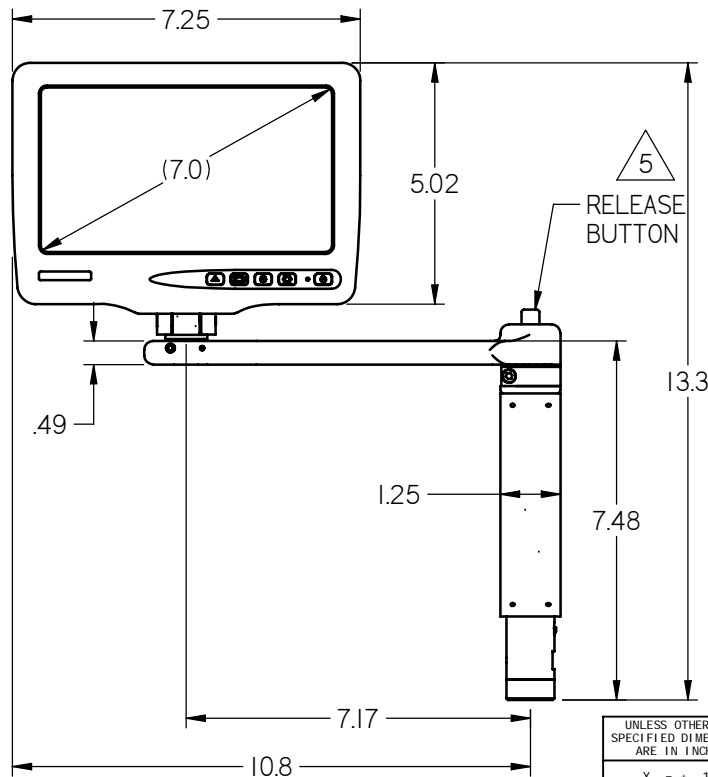
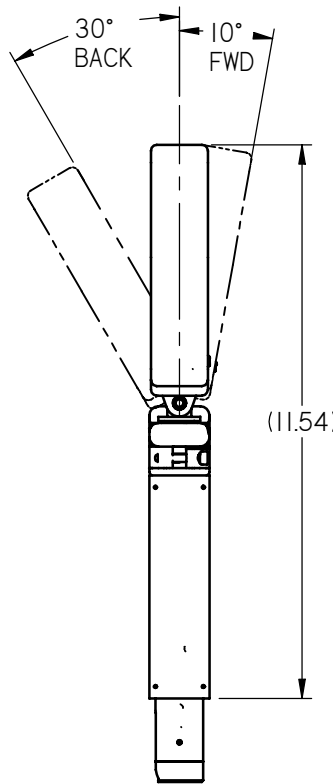
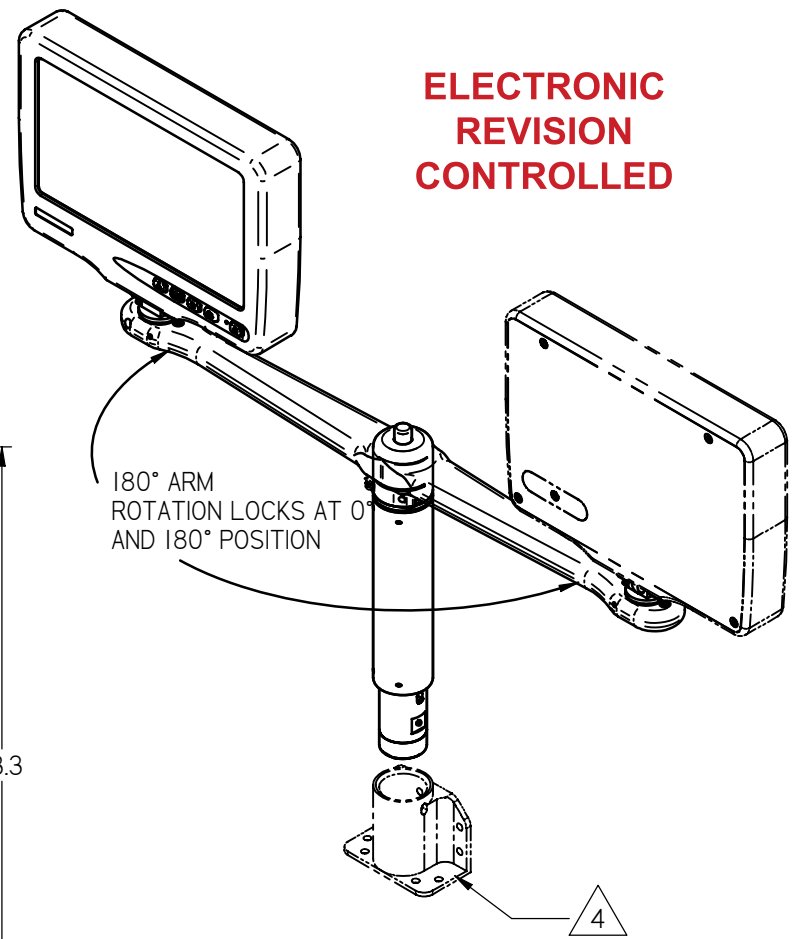
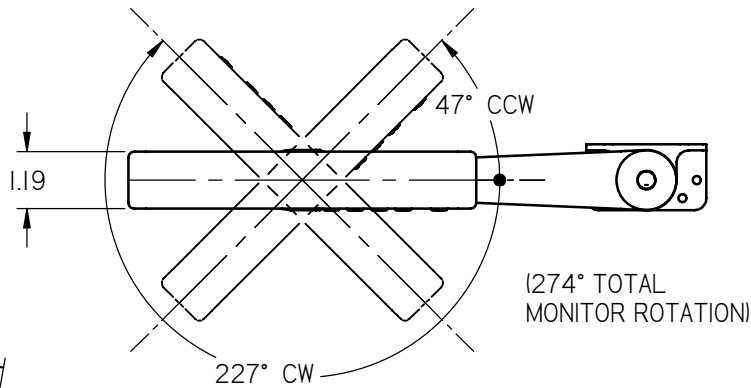


NOTES: (unless otherwise specified)

1. MATERIALS: SEE SEPARATE BOM
 2. COMPONENT WEIGHT: 2.9 LBS ± 10%
 3. LABELS, SHIPPING PACKAGE, AND SOME MINOR PARTS OMITTED FROM DRAWING FOR CLARITY.
- ⚠ MOUNTING BASE - SOLD SEPARATELY
 ⚠ FIRST HALF OF BUTTON TRAVEL RELEASES ARM ROTATION LOCK, SECOND HALF OF BUTTON TRAVEL RELEASES MONITOR/ARM ASSEMBLY FROM BASE.

REVISIONS						
ZONE	REV	DESCRIPTION	DATE	BY	CHG NO	APRV
-	A	INITIAL DRAWING RELEASE	04/02/04	JAW	04107	-
-	B	INCREASE ROTATION TOL FROM 1° TO 3°	10/06/04	GJH	04290	SDS
A2	C	INCREASE ROTATION TOL FROM 3° TO 5°	05/16/05	GJH	05111	JW
	D	CHG TO AW HARNESS	09/18/06	GJH	ECO6196	JW



UNLESS OTHERWISE SPECIFIED DIMENSIONS ARE IN INCHES

.X = ± .1
 .XX = ± .03

\sum = ± 5.0°

INTERPRET DIM AND TOL PER ASME Y14.5M - 1994

THE INFORMATION CONTAINED HEREIN IS PROPRIETARY TO ROSEN AVIATION, LLC. IT SHALL NOT BE REPRODUCED OR DISCLOSED IN WHOLE OR IN PART OR USED FOR ANY DESIGN OR MANUFACTURE EXCEPT WHEN SUCH USER POSSESSES DIRECT, WRITTEN AUTHORIZATION FROM ROSEN AVIATION. THIS DRAWING MAY BE COVERED UNDER ONE OR MORE U.S. OR INTERNATIONAL PATENTS. PLEASE CONTACT ROSEN AVIATION FOR SPECIFIC INFORMATION.

Rosen AVIATION 1020 OWEN LOOP SOUTH
 EUGENE, OREGON 97402
 TEL: (541) 342-3802 FAX: (541) 342-4912

APPROVALS	INITIAL	DATE
DRAWN BY	JAW	03/25/04
CHECKER	SDS	04/19/04
ENGINEER	JW	04/19/04

TITLE
**CENTER MOUNT w/SELECT SWITCH,
 LOCKING PCR ARM, POGO**

DWG NO
 7000-037

FIRST CALLED FOR: (FCF)
7" WIDESCREEN

SIZE	REV
A	D

SCALE 1:4 SHEET 1 OF 2

Performance Specifications (Reference)

LCD Performance

Screen Resolution (pixels)	480 x 234
Video Standards supported	NTSC
Display Viewing Area (in)	6.07 x 3.43
Vertical Viewing Angle	+45°(up), -60°(down)
Horizontal Viewing Angle	±60°
Contrast Ratio	60 MIN
Backlight Lamp Life	10,000 hours
Screen Brightness	350 cd/m ² typ 260 cd/m ² min

Power Requirements

Nominal Voltage	28VDC
Nominal Current	.31 A
Current Max	.40 A

Environmental Specifications

Operating Temperature	0°C - 60°C
Altitude	15,000ft
Humidity	95%RH
Vibration	1.48 grms
Power Input	DO-160D Cat AB
RF Susceptibility	DO-160D Cat TT
Emission of RF Energy	DO-160D Cat B

MTBF Prediction	1,785 hours
------------------------	-------------

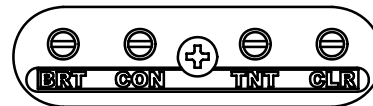
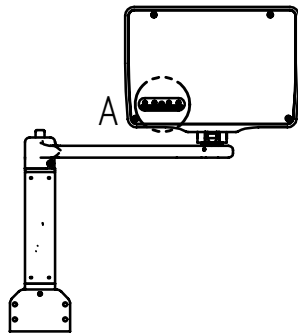
9 Pin Pinout*

Slimline Base Receptacle Model 0100-041

Connector: 9 Pin Male D-Subminiature
Positronic SDM0000Z

Mate: 9 Pin Female D-Subminiature
Positronic SD9F0000X

Pin #	Monitor signal
1	Reserved
2	+28V DC
3	DC Return
4	Select Switch
5	Select Switch Return
6	Reserved
7	Video Signal Input
8	Video Ground
9	Reserved



DETAIL A**

Notes:

- * BASE SOLD SEPARATELY
- ** FINE TUNING ADJUSTMENT OF DISPLAY AVAILABLE BY REMOVING ACCESS PANEL ON BACK OF MONITOR (DETAIL A).

THE INFORMATION CONTAINED HEREIN IS PROPRIETARY TO ROSEN AVIATION, LLC. IT SHALL NOT BE REPRODUCED OR DISCLOSED IN WHOLE OR IN PART OR USED FOR ANY DESIGN OR MANUFACTURE EXCEPT WHEN SUCH USER POSSESSES DIRECT, WRITTEN AUTHORIZATION FROM ROSEN AVIATION, LLC. THIS DRAWING MAY BE COVERED UNDER ONE OR MORE U.S. OR INTERNATIONAL PATENTS. PLEASE CONTACT ROSEN AVIATION FOR SPECIFIC INFORMATION.

ROSEN AVIATION	1020 OWEN LOOP SOUTH EUGENE, OREGON 97402	SIZE A	DWG NO 7000-037	REV D
	TEL: (541) 342-3802 FAX: (541) 342-4912	SCALE NONE	SHEET 2 OF 2	