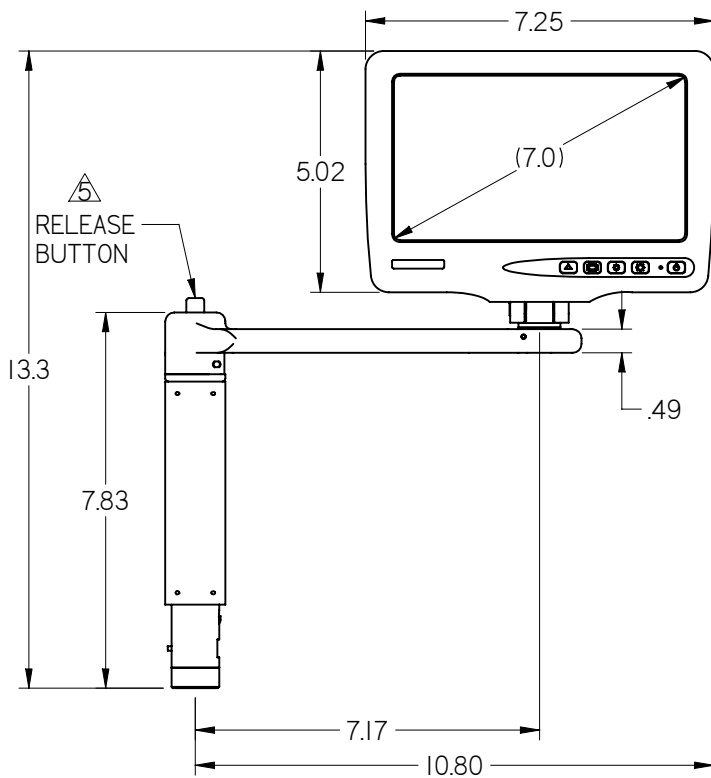
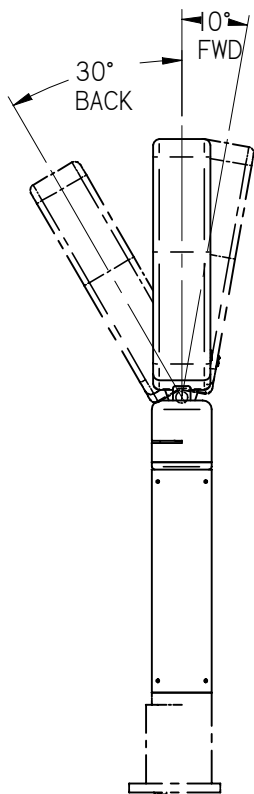
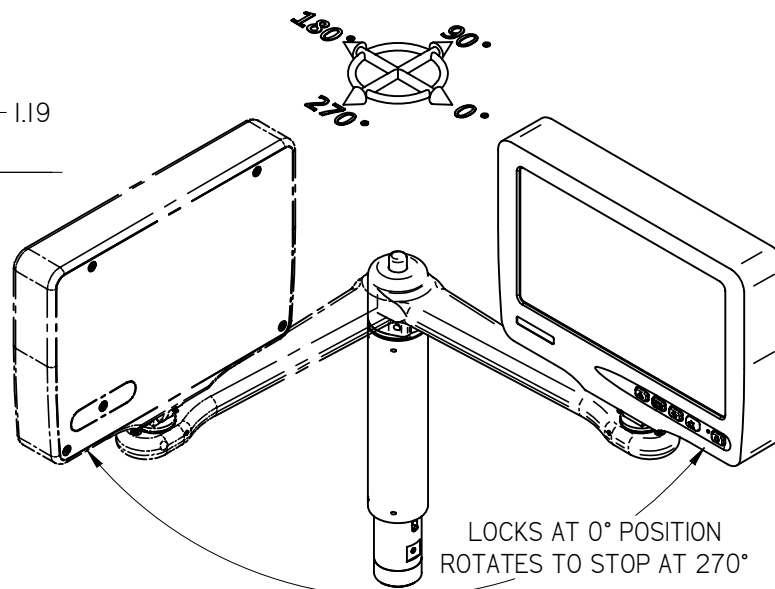
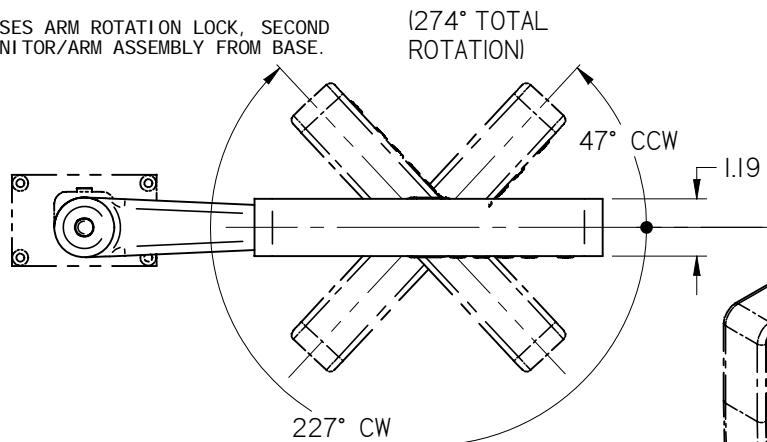


NOTES: (unless otherwise specified)

1. MATERIAL: SEE SEPARATE BOM
2. COMPONENT WEIGHT: 2.9 LBS ± 10%
3. LABELS, SHIPPING PACKAGE, AND SOME MINOR PARTS OMITTED FROM DRAWING FOR CLARITY.
4. MOUNTING BASE - SOLD SEPARATELY
5. FIRST HALF OF BUTTON TRAVEL RELEASES ARM ROTATION LOCK, SECOND HALF OF BUTTON TRAVEL RELEASES MONITOR/ARM ASSEMBLY FROM BASE.

REVISIONS						
ZONE	REV	DESCRIPTION	DATE	BY	CHG NO	APRV
-	A	INITIAL DRAWING RELEASE	11/30/04	GJH	04352	-
	B	CHG TO AW HARNESS	09/18/06	GJH	EC06194	JW



**ELECTRONIC  
REVISION  
CONTROLLED**

THE INFORMATION CONTAINED HEREIN IS PROPRIETARY TO ROSEN AVIATION, LLC. IT SHALL NOT BE REPRODUCED OR DISCLOSED IN WHOLE OR IN PART OR USED FOR ANY DESIGN OR MANUFACTURE EXCEPT WHEN SUCH USER POSSESSES DIRECT, WRITTEN AUTHORIZATION FROM ROSEN AVIATION. THIS DRAWING MAY BE COVERED UNDER ONE OR MORE U.S. OR INTERNATIONAL PATENTS. PLEASE CONTACT ROSEN AVIATION FOR SPECIFIC INFORMATION.

<b>Rosen AVIATION</b> 1020 OWEN LOOP SOUTH EUGENE, OREGON 97402 TEL: (541) 342-3802 FAX: (541) 342-4912	APPROVALS	INITIAL	DATE
	DRAWN BY	GJH	08/23/04
	CHECKER	SDS	11/30/04
	ENGINEER	JW	11/29/04
TITLE		DWG NO	
<b>CENTER MOUNT w/SELECT SWITCH, 90°CW LOCKING POGO ARM</b>		7000-039	
FIRST CALLED FOR: (FCF)		SIZE	REV
<b>7" WIDESCREEN</b>		A	B
SCALE 1:4		SHEET 1 OF 2	

UNLESS OTHERWISE SPECIFIED DIMENSIONS ARE IN INCHES

.X = ± .1  
.XX = ± .03

$\pm 5.0^\circ$

INTERPRET DIM AND TOL PER ASME Y14.5M - 1994

## Performance Specifications (Reference)

### LCD Performance

Screen Resolution (pixels)	480 x 234
Video Standards supported	NTSC
Display Viewing Area (in)	6.07 x 3.43
Vertical Viewing Angle	+45°(up), -60°(down)
Horizontal Viewing Angle	±60°
Contrast Ratio	60 MIN
Backlight Lamp Life	10,000 hours
Screen Brightness	350 cd/m <sup>2</sup> typ 260 cd/m <sup>2</sup> min

### Power Requirements

Nominal Voltage	28VDC
Nominal Current	.31 A
Current Max	.40 A

### Environmental Specifications

Operating Temperature	0°C - 60°C
Altitude	15,000ft
Humidity	95%RH
Vibration	1.48 grms
Power Input	DO-160D Cat AB
RF Susceptibility	DO-160D Cat TT
Emission of RF Energy	DO-160D Cat B

### MTBF Prediction

1,785 hours

## 9 Pin Pinout

### Slimline Base Receptacle Model 0100-046

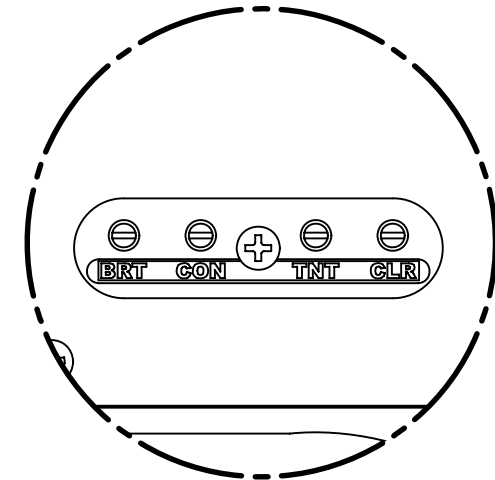
Connector: 9 Pin Male D-Subminiature  
Positronic SDM0000Z

Mate: 9 Pin Female D-Subminiature  
Positronic SD9F0000X

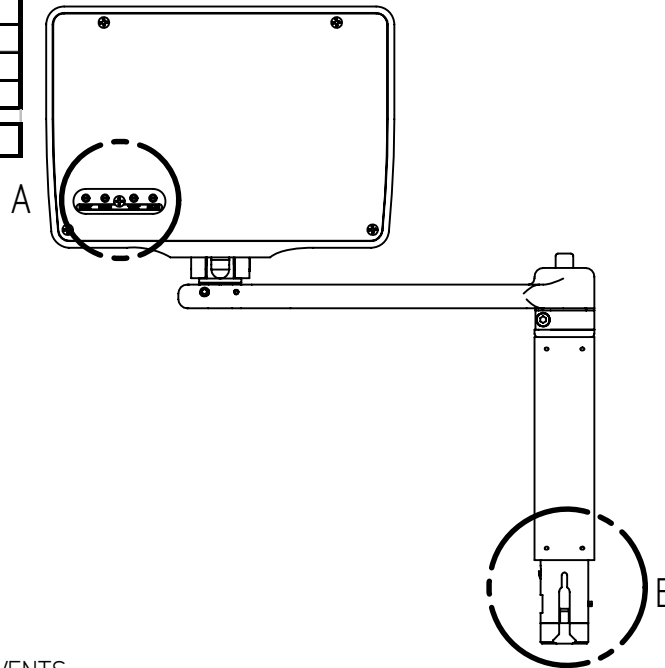
Pin #	Monitor signal
1	Reserved
2	+28V DC
3	DC Return
4	Select Switch
5	Select Switch Return
6	Reserved
7	Video Signal Input
8	Video Ground
9	Reserved

## Notes:

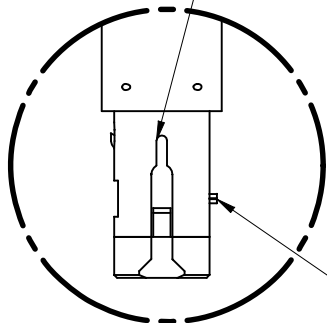
\* FINE TUNING ADJUSTMENT OF DISPLAY AVAILABLE BY REMOVING ACCESS PANEL ON BACK OF MONITOR (DETAIL A).



DETAIL A



KEY FEATURE WORKS WITH 0100-046 BASE RECEPTACLE



DETAIL B

KEY PIN PREVENTS INSERTION IN BASE RECEPTACLES OTHER THAN 0100-046

THE INFORMATION CONTAINED HEREIN IS PROPRIETARY TO ROSEN AVIATION, LLC. IT SHALL NOT BE REPRODUCED OR DISCLOSED IN WHOLE OR IN PART OR USED FOR ANY DESIGN OR MANUFACTURE EXCEPT WHEN SUCH USER POSSESSES DIRECT, WRITTEN AUTHORIZATION FROM ROSEN AVIATION, LLC. THIS DRAWING MAY BE COVERED UNDER ONE OR MORE U.S. OR INTERNATIONAL PATENTS. PLEASE CONTACT ROSEN AVIATION FOR SPECIFIC INFORMATION.

ROSEN AVIATION	1020 OWEN LOOP SOUTH EUGENE, OREGON 97402 TEL: (541) 342-3802 FAX: (541) 342-4912	SIZE A	DWG NO 7000-039	REV B
	SCALE NONE	SHEET 2 OF 2		