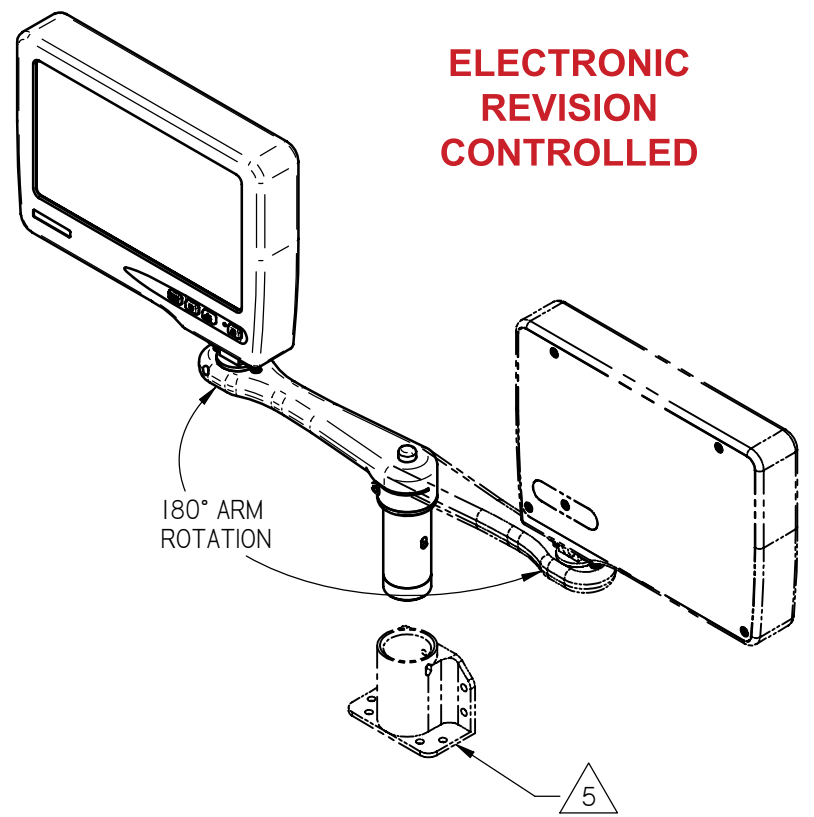
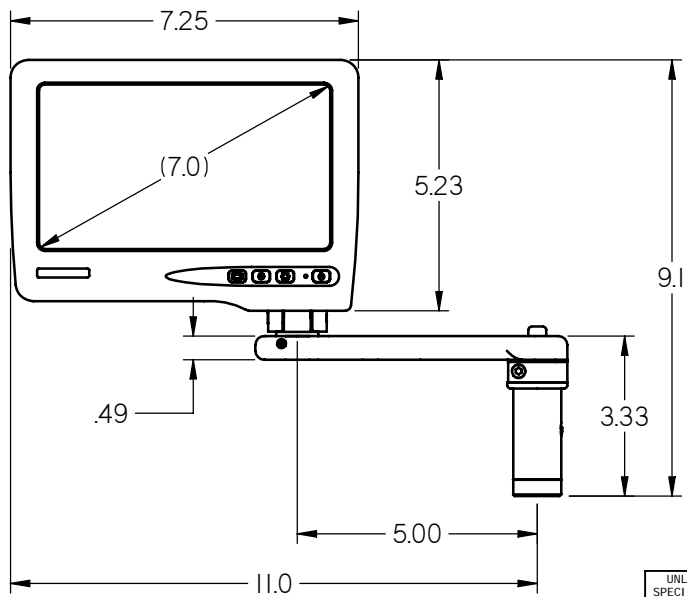
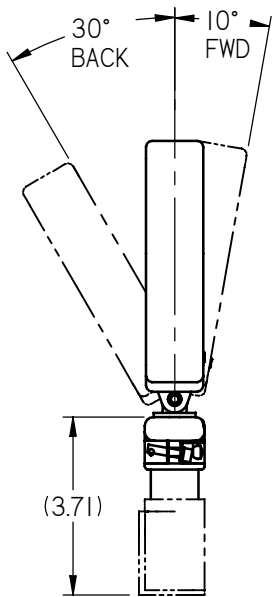
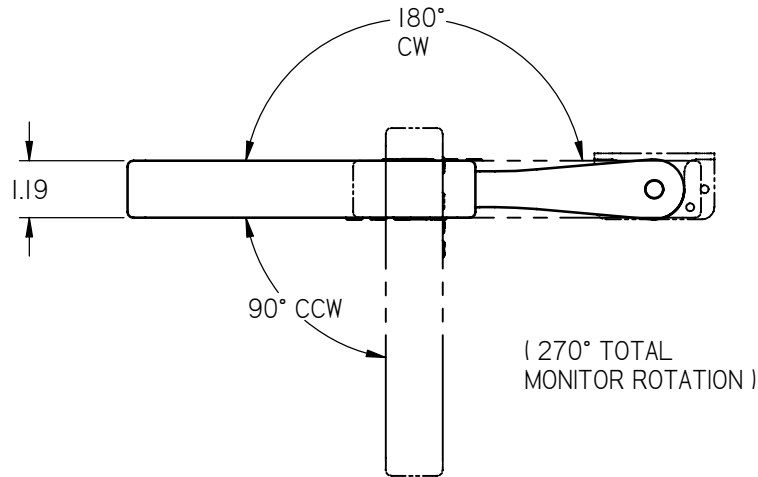


NOTES: (unless otherwise specified)

1. MATERIALS: SEE SEPARATE BOM
 2. ASSEMBLY WEIGHT: 2.66 LBS. ± 10%
 3. OBSERVE ESD SAFE HANDLING PRACTICES.
 4. SOME MINOR PARTS, LABELS, HARNESSES AND INSTRUCTIONS OMITTED FOR CLARITY.
- △ BASE SOLD SEPARATELY.

REVISIONS						
ZONE	REV	DESCRIPTION	DATE	BY	CHG NO	APRV
-	A	PRODUCTION RELEASE	08/16/01	JAW	01670	-
-	B	UPDATED DRAWING TO CURRENT STANDARD	04/15/02	JEA	02279	JW
-	C	CORRECT BOM, UPDATE BORDER, CHANGE DRAWING NUMBER TO MODEL NUMBER	03/17/03	JEA	03035c	JW
-	D	RECONFIGURE BOM, CHG ANGLE TOL FROM 2° TO 5°, UPDATE DWG STD's	06/09/03	JEA	03071	JW
pg2	F	CORRECT PINOUTS, UPDATE DWG STD's	05/16/05	GJH	05111	JW
	G	CORRECT PINOUTS, UPDATE DWG STD's	09/15/05	GJH	05372	JW
		CHG TO AW HARNESS	09/18/06	GJH	EC06196	JW



THE INFORMATION CONTAINED HEREIN IS PROPRIETARY TO ROSEN AVIATION, LLC. IT SHALL NOT BE REPRODUCED OR DISCLOSED IN WHOLE OR IN PART OR USED FOR ANY DESIGN OR MANUFACTURE EXCEPT WHEN SUCH USER POSSESSES DIRECT, WRITTEN AUTHORIZATION FROM ROSEN AVIATION. THIS DRAWING MAY BE COVERED UNDER ONE OR MORE U.S. OR INTERNATIONAL PATENTS. PLEASE CONTACT ROSEN AVIATION FOR SPECIFIC INFORMATION.

Rosen AVIATION		1020 OWEN LOOP SOUTH EUGENE, OREGON 97402 TEL: (541) 342-3802 FAX: (541) 342-4912		APPROVALS	INITIAL	DATE
TITLE RIGHT MOUNT, SLA5 RIGHT ARM				DRAWN BY	JAW	07/19/01
FIRST CALLED FOR: (FCF) 7" WIDESCREEN				CHECKER	JEAN	08/16/01
DWG NO 7000-061				ENGINEER	CT	08/16/01
SIZE A		REV G		SCALE 1:4 SHEET 1 OF 2		

UNLESS OTHERWISE SPECIFIED DIMENSIONS ARE IN INCHES
 .X = ± .1
 .XX = ± .03
 ∠ = ± 5°
 INTERPRET DIM AND TOL PER ASME Y14.5M - 1994

Performance Specifications (Reference)

LCD Performance

Screen Resolution (pixels)	480 x 234
Video Standards supported	NTSC
Display Viewing Area (in)	6.07 x 3.43
Vertical Viewing Angle	+45°(up), -60°(down)
Horizontal Viewing Angle	±60°
Contrast Ratio	60 MIN
Backlight Lamp Life	10,000 hours
Screen Brightness	350 cd/m2 typ 260 cd/m2 min

Power Requirements

Nominal Voltage	28VDC
Nominal Current	.31 A
Current Max	.40 A

Environmental Specifications

Operating Temperature	0°C - 60°C
Altitude	15,000ft
Humidity	95%RH
Vibration	1.48 grms
Power Input	DO-160D Cat AB
RF Susceptibility	DO-160D Cat TT
Emission of RF Energy	DO-160D Cat B

MTBF Prediction	1,785 hours
------------------------	-------------

Base Receptacle Pinout - DB9

Slimline Base Receptacle *

Model 0100-002 & 0100-004

Connector: 9 Pin Male D-Subminiature
Positronic SD9M0000Z

Mate: 9 Pin Female D-Subminiature
Positronic SD9F0000X

Pin #	Monitor signal
1	Chassis Ground
2	+28V DC
3	DC Return
4	Connected to pin 5
5	Connected to pin 4
6	Reserved
7	Video Signal Input
8	Video Ground
9	Reserved

Base Receptacle Pinout

Slimline Base Receptacle

Model 0100-005

Video Connector: BNC Jack, AMP 221199-5

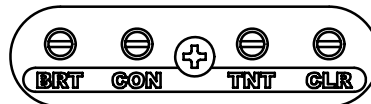
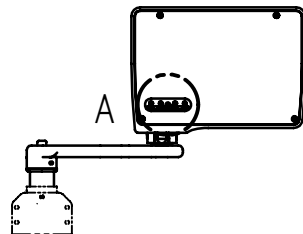
Power Connector: Male 3 pin, .062" Molex

Mating Video Connector: BNC Plug

Mating Power Connector: Molex 03-06-1038

Mating Power Contact: Molex 02-06-1103

Pin #	Monitor signal
BNC signal	Video Signal
BNC shield	Video Return
Molex 1	DC Input
Molex 2	DC Return
Molex 3	Reserved



DETAIL A **

Notes:

- * BASE SOLD SEPARATELY
- ** FINE TUNING ADJUSTMENT OF DISPLAY AVAILABLE BY REMOVING ACCESS PANEL ON BACK OF MONITOR (DETAIL A).

THE INFORMATION CONTAINED HEREIN IS PROPRIETARY TO ROSEN AVIATION, LLC. IT SHALL NOT BE REPRODUCED OR DISCLOSED IN WHOLE OR IN PART OR USED FOR ANY DESIGN OR MANUFACTURE EXCEPT WHEN SUCH USER POSSESSES DIRECT, WRITTEN AUTHORIZATION FROM ROSEN AVIATION, LLC. THIS DRAWING MAY BE COVERED UNDER ONE OR MORE U.S. OR INTERNATIONAL PATENTS. PLEASE CONTACT ROSEN AVIATION FOR SPECIFIC INFORMATION.

ROSEN AVIATION	1020 OWEN LOOP SOUTH EUGENE, OREGON 97402 TEL: (541) 342-3802 FAX: (541) 342-4912	SIZE	DWG NO	REV
		A	7000-061	G
SCALE NONE		SHEET 2 OF 2		