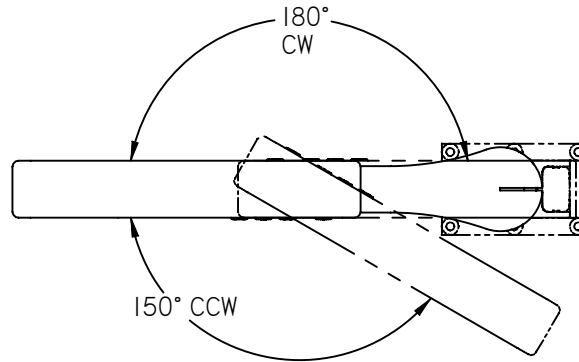


NOTES: (unless otherwise specified)

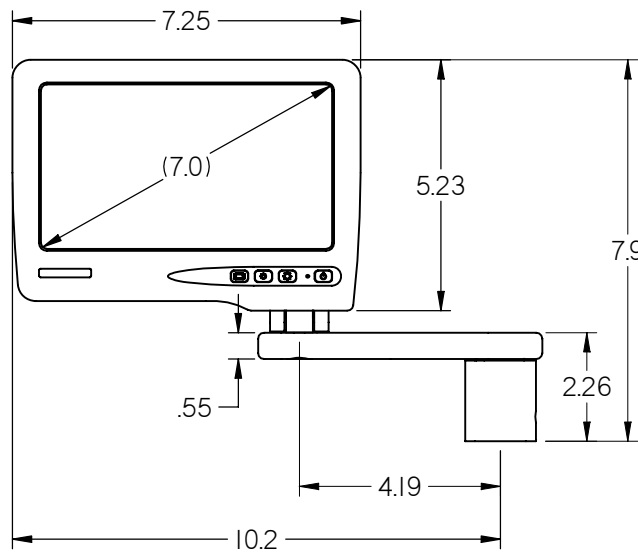
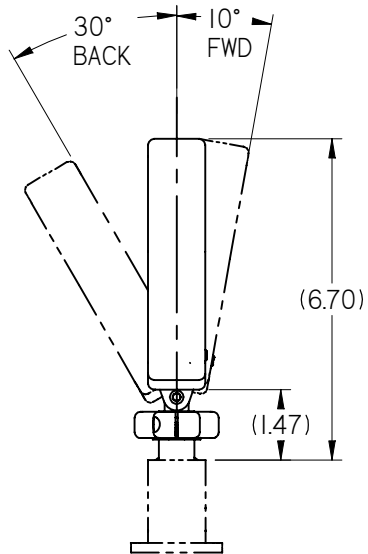
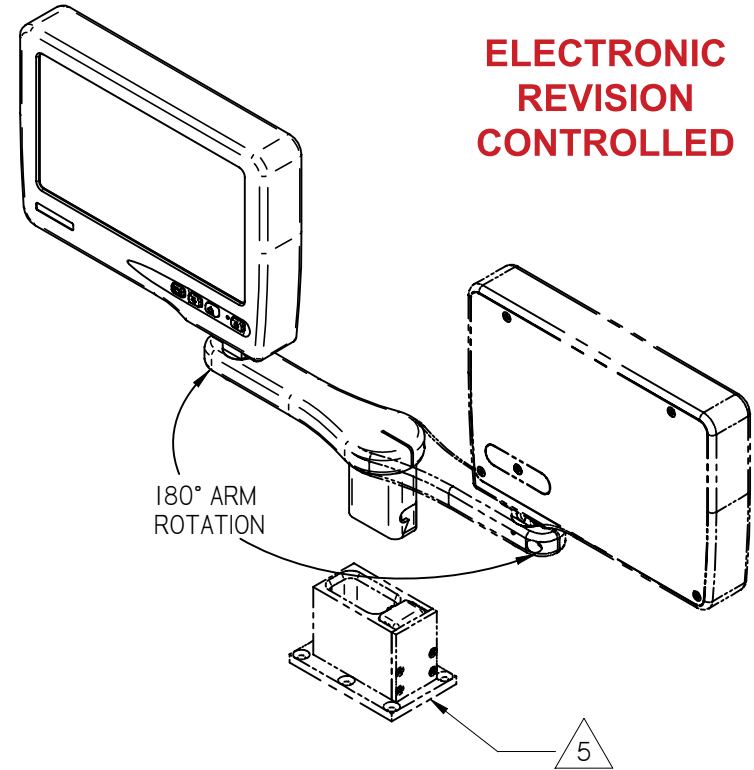
1. MATERIALS AND INSTRUCTIONS LISTED ON SEPARATE BILL OF MATERIALS.
2. ASSEMBLY WEIGHT: 3.2 LBS. ± 10%
3. LABELS, SHIPPING PACKAGE, AND SOME MINOR PARTS OMITTED
4. DO NOT PLUG OR UNPLUG MONITOR WHEN POWER IS APPLIED.
5. BASE SOLD SEPARATELY
6. OBSERVE ESD SAFE HANDLING PRACTICES.

2

REVISIONS						
ZONE	REV	DESCRIPTION	DATE	BY	CHG NO	APRV
-	A	PRODUCTION RELEASE	04/23/02	JEA	02291	-
-	B	CHANGE TLA NUMBER TO MODEL NUMBER UPDATE BORDER	05/19/03	JEA	03071	JW
-	C	CORRECT ARM AND BASE VIEW	11/15/04	GJH	04331	JW
A2	D	RECONFIGURE BOM, CHG ANGLE TOL FROM 1° TO 5°	05/17/05	GJH	05111	JW
pg2	F	CORRECT PINOUTS, UPDATE DWG STD'S	09/15/05	GJH	05372	JW
	G	CHG TO AW HARNESS	09/18/06	GJH	EC06196	JW



**ELECTRONIC  
REVISION  
CONTROLLED**



THE INFORMATION CONTAINED HEREIN IS PROPRIETARY TO ROSEN AVIATION, LLC. IT SHALL NOT BE REPRODUCED OR DISCLOSED IN WHOLE OR IN PART OR USED FOR ANY DESIGN OR MANUFACTURE EXCEPT WHEN SUCH USER POSSESSES DIRECT, WRITTEN AUTHORIZATION FROM ROSEN AVIATION. THIS DRAWING MAY BE COVERED UNDER ONE OR MORE U.S. OR INTERNATIONAL PATENTS. PLEASE CONTACT ROSEN AVIATION FOR SPECIFIC INFORMATION.

<b>ROSEN AVIATION</b> 1020 OWEN LOOP SOUTH EUGENE, OREGON 97402 TEL: (541) 342-3802 FAX: (541) 342-4912	APPROVALS	INITIAL	DATE
	DRAWN BY	JEA	04/23/02
	CHECKER	JW	05/01/02
	ENGINEER	CT	05/01/02
TITLE	RIGHT MOUNT, ULL ARM		
FIRST CALLED FOR: (FCF)	7" WIDESCREEN		
DWG NO	7000-081		
SIZE	A	REV	G
SCALE	1:4	SHEET	1 OF 2

UNLESS OTHERWISE SPECIFIED DIMENSIONS ARE IN INCHES

-X = ± .1  
 .XX = ± .020  
 .XXX = ± .005

= ± 5.0°

INTERPRET DIM AND TOL PER ASME Y14.5M - 1994

1

2

Performance Specifications (Reference)

**LCD Performance**

Screen Resolution (pixels)	480 x 234
Video Standards supported	NTSC
Display Viewing Area (in)	6.07 x 3.43
Vertical Viewing Angle	+45°(up), -60°(down)
Horizontal Viewing Angle	±60°
Contrast Ratio	60 MIN
Backlight Lamp Life	10,000 hours
Screen Brightness	350 cd/m <sup>2</sup> typ 260 cd/m <sup>2</sup> min

**Power Requirements**

Nominal Voltage	28VDC
Nominal Current	.31 A
Current Max	.40 A

**Environmental Specifications**

Operating Temperature	0°C - 60°C
Altitude	15,000ft
Humidity	95%RH
Vibration	1.48 grms
Power Input	DO-160D Cat AB
RF Susceptibility	DO-160D Cat TT
Emission of RF Energy	DO-160D Cat B

**MTBF Prediction**

1,785 hours

Base Receptacle Pinout - DB9

**RNVAP Base Receptacle  
Model 0100-010**

Connector: 9 Pin Male D-Subminiature  
Positronic SD9M0000Z

Mate: 9 Pin Female D-Subminiature  
Positronic SD9F0000X

Pin #	Monitor signal
1	Chassis Ground
2	DC Input
3	DC Return
4	Connected to pin 5
5	Connected to pin 4
6	Reserved
7	Video Signal Input
8	Video Ground
9	Reserved

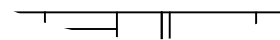
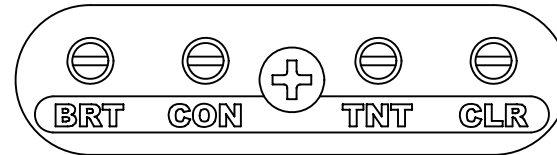
Base Receptacle Pinout-BNC/Molex

**RNVAP Base Receptacle  
Model 0100-011**

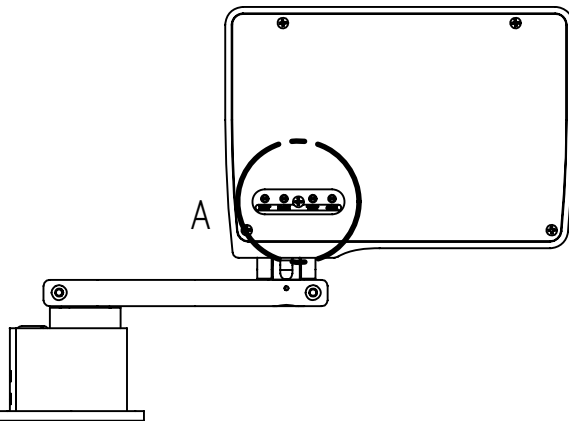
Video Connector: BNC Jack, AMP 221199-5  
Power Connector: Male 3 pin, .062" Molex

Mating Video Connector: BNC Plug  
Mating Power Connector: Molex 03-06-1038  
Mating Power Contact: Molex 02-06-1103

Pin #	Monitor signal
BNC signal	Video Signal
BNC shield	Video Return
Molex 1	DC Input
Molex 2	DC Return
Molex 3	Reserved



DETAIL A\*\*



**Notes:**

- \* BASE SOLD SEPARATELY
- \*\* FINE TUNING ADJUSTMENT OF DISPLAY AVAILABLE BY REMOVING ACCESS PANEL ON BACK OF MONITOR (DETAIL A).

THE INFORMATION CONTAINED HEREIN IS PROPRIETARY TO ROSEN AVIATION, LLC. IT SHALL NOT BE REPRODUCED OR DISCLOSED IN WHOLE OR IN PART OR USED FOR ANY DESIGN OR MANUFACTURE EXCEPT WHEN SUCH USER POSSESSES DIRECT, WRITTEN AUTHORIZATION FROM ROSEN AVIATION, LLC. THIS DRAWING MAY BE COVERED UNDER ONE OR MORE U.S. OR INTERNATIONAL PATENTS. PLEASE CONTACT ROSEN AVIATION FOR SPECIFIC INFORMATION.

<b>ROSEN AVIATION</b>	1020 OWEN LOOP SOUTH EUGENE, OREGON 97402 TEL: (541) 342-3802 FAX: (541) 342-4912	SIZE <b>A</b>	DWG NO 7000-081	REV G
	SCALE NONE	SHEET 2 OF 2		