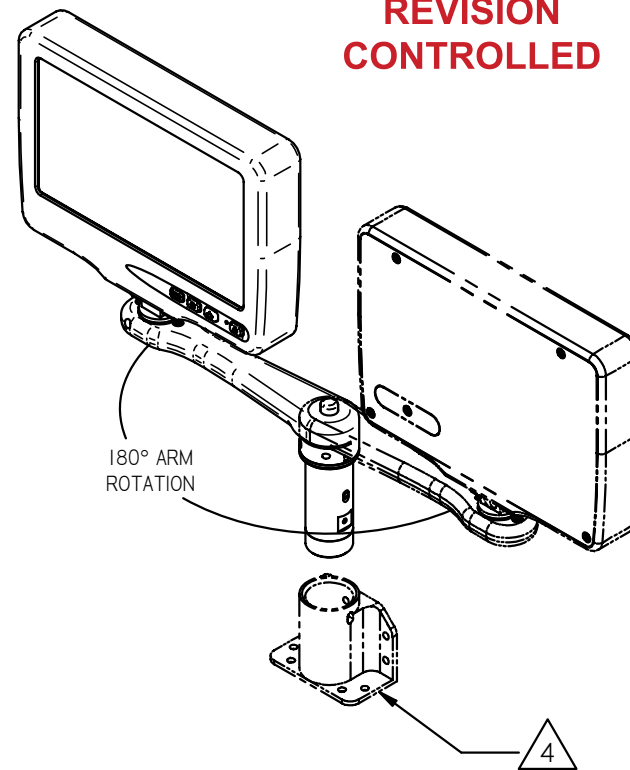
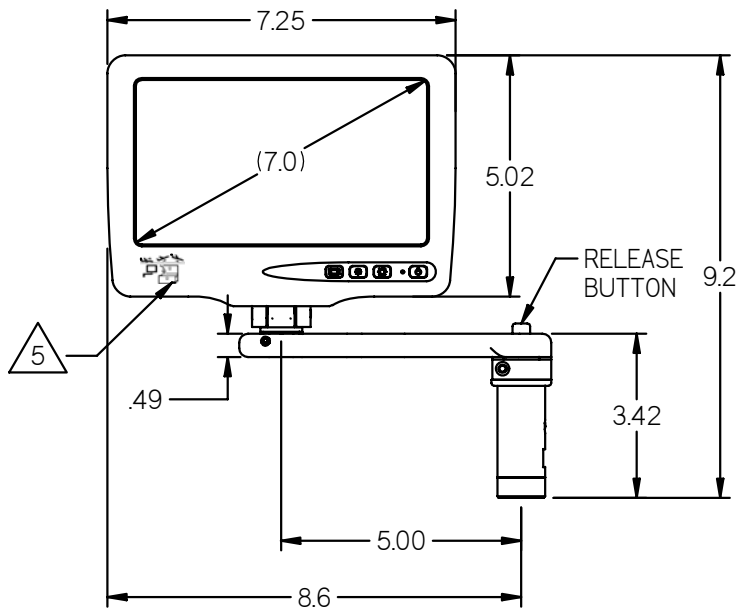
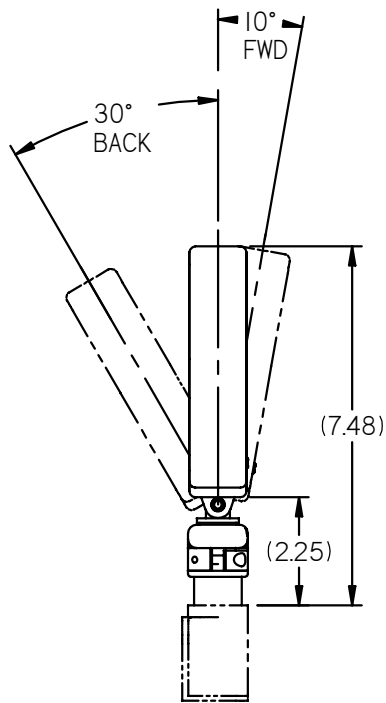
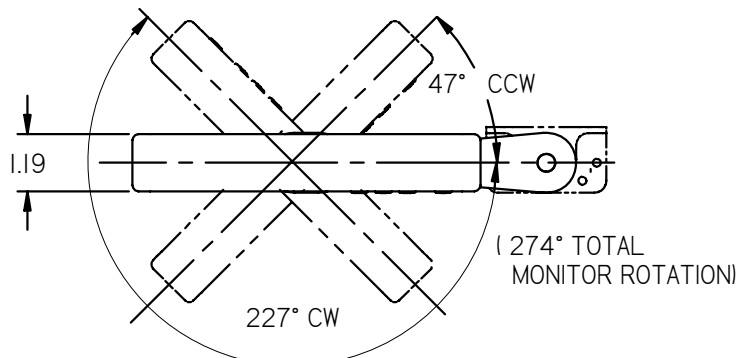


NOTES: (unless otherwise specified)

1. MATERIALS: SEE SEPARATE BOM
 2. COMPONENT WEIGHT: 2.58 LBS. ± 10%.
 3. LABELS, SHIPPING PACKAGE, AND SOME MINOR PARTS OMITTED FROM DRAWING FOR CLARITY.
- ⚠ BASE SOLD SEPARATELY
 ⚠ REFER TO DRAWING NUMBER 9002582 FOR PLACARD INFORMATION

REVISIONS						
ZONE	REV	DESCRIPTION	DATE	BY	CHG NO	APRV
-	A	INITIAL DRAWING RELEASE	07/13/04	GJH	04196	-
A2	B	RECONFIGURE BOM, CHG ANGLE TOL FROM 3° TO 5°	05/17/05	GJH	05111	JW
	C	CHG TO AW HARNESS	09/18/06	GJH	EC06196	JW
B1	D	CORRECT DWG # IN NOTE 5	01/22/07	GJH	EC07015	SDS



**ELECTRONIC
REVISION
CONTROLLED**

THE INFORMATION CONTAINED HEREIN IS PROPRIETARY TO ROSEN AVIATION, LLC. IT SHALL NOT BE REPRODUCED OR DISCLOSED IN WHOLE OR IN PART OR USED FOR ANY DESIGN OR MANUFACTURE EXCEPT WHEN SUCH USER POSSESSES DIRECT, WRITTEN AUTHORIZATION FROM ROSEN AVIATION. THIS DRAWING MAY BE COVERED UNDER ONE OR MORE U.S. OR INTERNATIONAL PATENTS. PLEASE CONTACT ROSEN AVIATION FOR SPECIFIC INFORMATION.

ROSEN AVIATION 1020 OWEN LOOP SOUTH EUGENE, OREGON 97402 TEL: (541) 342-3802 FAX: (541) 342-4912	APPROVALS	INITIAL	DATE	
	DRAWN BY	GJH	05/17/04	
	CHECKER	SDS	07/15/04	
	ENGINEER	SDS	07/15/04	
TITLE CENTER, SXP5, POGO ARM, w/PLACARD			DWG NO 7000-111	
FIRST CALLED FOR: (FCF) 7" WIDESCREEN			SIZE A	REV D
SCALE 1:4		SHEET 1 OF 2		

UNLESS OTHERWISE SPECIFIED DIMENSIONS ARE IN INCHES
 .X = ± .1
 .XX = ± .03
 ∠ = ± 5°
 INTERPRET DIM AND TOL PER ASME Y14.5M - 1994

Performance Specifications (Reference)

LCD Performance	
Screen Resolution (pixels)	480 x 234
Video Standards supported	NTSC
Display Viewing Area (in)	6.07 x 3.43
Vertical Viewing Angle	+45°(up), -60°(down)
Horizontal Viewing Angle	±60°
Contrast Ratio	60 min
Backlight Lamp Life	10,000 hours
Screen Brightness	350 cd/m ² typ 260 cd/m ² min

Power Requirements	
Nominal Voltage	28VDC
Nominal Current	.31 A
Current Max	.40 A

Environmental Specifications	
Operating Temperature	0°C - 60°C
Altitude	15,000ft
Humidity	95%RH
Vibration	1.48 grms
Power Input	DO-160D Cat AB
RF Susceptibility	DO-160D Cat TTT
Emission of RF Energy	DO-160D Cat B

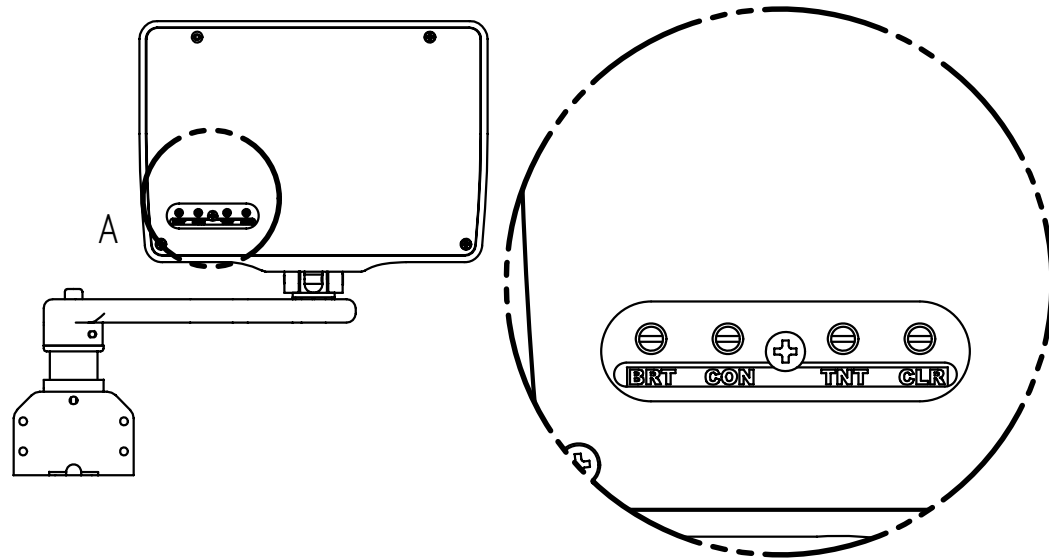
MTBF Prediction	1,785 hours
------------------------	-------------

Base Receptacle Pinout-DB9*

Slimline Base Receptacle Model 0100-041	
Connector: 9 Pin Male D-Subminiature Positronic SDM0000Z	
Mate: 9 Pin Female D-Subminiature Positronic SD9F0000X	
Pin #	Monitor signal
1	Chassis Ground
2	+28V DC
3	DC Return
4	Select Switch
5	Select Switch Return
6	Reserved
7	Video Signal Input
8	Video Ground
9	Reserved

Base Receptacle Pinout BNC/Molex*

Slimline Base Receptacle Model 0100-040	
Video Connector: BNC Jack, (AMP 221199-5)	
Power Connector: Male 3 pin, .062" Molex	
Mating Video Connector: BNC Plug	
Mating Power Connector: Molex 03-06-1038	
Mating Power Contact: Molex 02-06-1103	
Pin #	Monitor signal
BNC signal	Video Signal
BNC shield	Video Return
Molex 1	+28V DC
Molex 2	DC Return
Molex 3	Reserved



DETAIL A **

Notes:

- * BASE SOLD SEPARATELY
- ** FINE TUNING ADJUSTMENT OF DISPLAY AVAILABLE BY REMOVING ACCESS PANEL ON BACK OF MONITOR (DETAIL A).

THE INFORMATION CONTAINED HEREIN IS PROPRIETARY TO ROSEN AVIATION, LLC. IT SHALL NOT BE REPRODUCED OR DISCLOSED IN WHOLE OR IN PART OR USED FOR ANY DESIGN OR MANUFACTURE EXCEPT WHEN SUCH USER POSSESSES DIRECT, WRITTEN AUTHORIZATION FROM ROSEN AVIATION, LLC. THIS DRAWING MAY BE COVERED UNDER ONE OR MORE U.S. OR INTERNATIONAL PATENTS. PLEASE CONTACT ROSEN AVIATION FOR SPECIFIC INFORMATION.

	1020 OWEN LOOP SOUTH EUGENE, OREGON 97402 TEL: (541) 342-3802 FAX: (541) 342-4912	SIZE A	DWG NO 7000-111	REV D
	SCALE NONE	SHEET 2 OF 2		