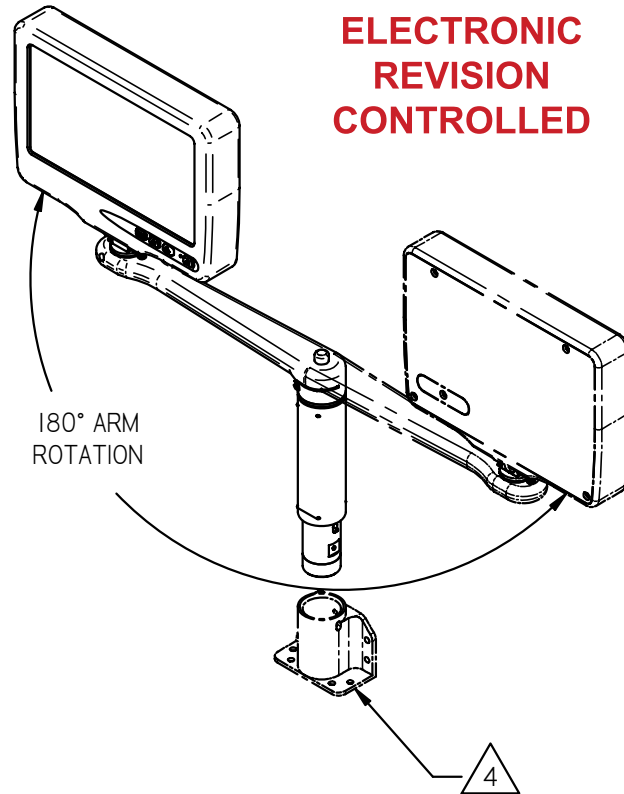
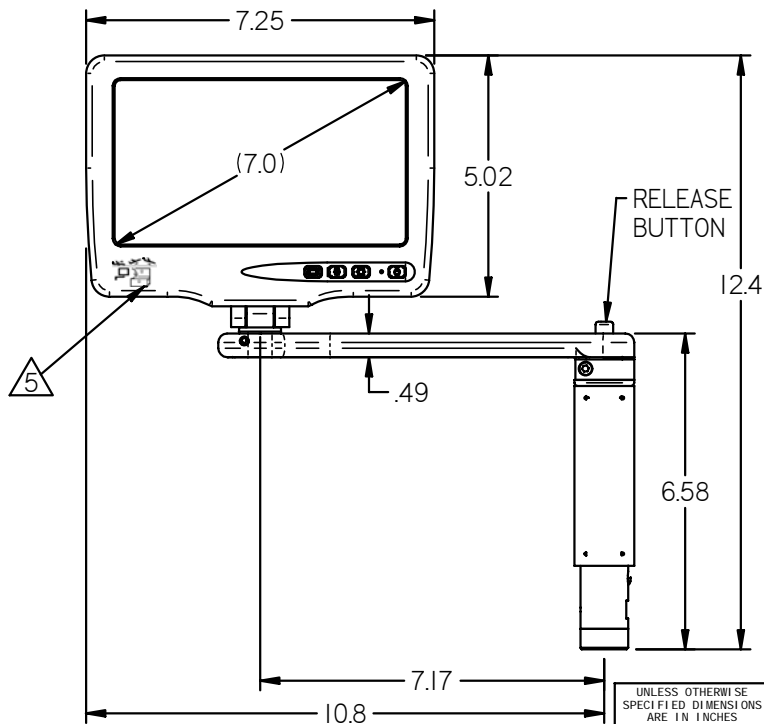
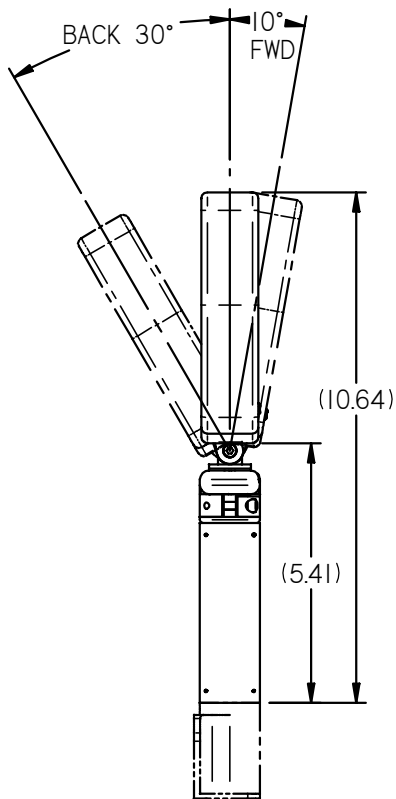
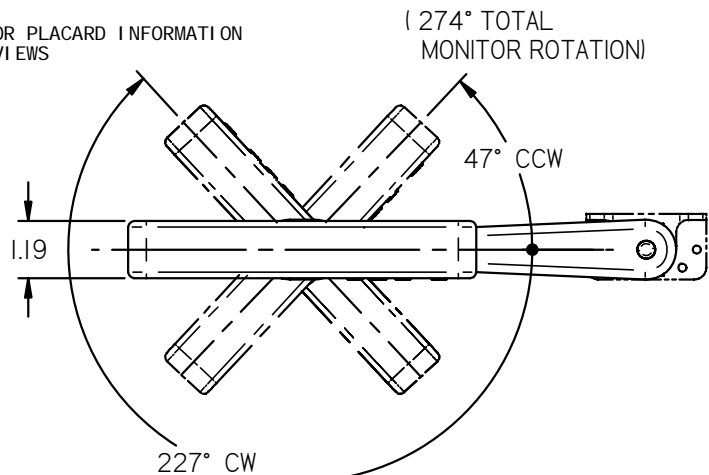


NOTES: (unless otherwise specified)

1. MATERIALS: SEE SEPARATE BOM
 2. COMPONENT WEIGHT: 3.0 LBS. ± 10%
 3. LABELS, SHIPPING PACKAGE, AND SOME MINOR PARTS OMITTED FROM DRAWING FOR CLARITY.
- ⚠ BASE SOLD SEPARATELY
 ⚠ REFER TO DRAWING # 9002582 FOR PLACARD INFORMATION
 PLACARD NOT DEPICTED IN ALL VIEWS

REVISIONS						
ZONE	REV	DESCRIPTION	DATE	BY	CHG NO	APRV
-	A	INITIAL DRAWING RELEASE	11/01/04	GJH	04305	-
B1	B	ADD NOTE TO REFERENCE PLACARD INFO	04/07/05	GJH	05144	SC
-	C	RECONFIGURE BOM	05/17/05	GJH	05111	JW
B1	D	UPDATE WEIGHT FROM 2.58LBS ±5%	04/17/06	GJH	EC06100	JW
	F	CHG TO AW HARNESS	09/18/06	GJH	EC06196	JW



**ELECTRONIC
REVISION
CONTROLLED**

UNLESS OTHERWISE SPECIFIED DIMENSIONS ARE IN INCHES
 .X = ± .1
 .XX = ± .03
 ∠ = ± 5°
 INTERPRET DIM AND TOL PER ASME Y14.5M - 1994

THE INFORMATION CONTAINED HEREIN IS PROPRIETARY TO ROSEN AVIATION, LLC. IT SHALL NOT BE REPRODUCED OR DISCLOSED IN WHOLE OR IN PART OR USED FOR ANY DESIGN OR MANUFACTURE EXCEPT WHEN SUCH USER POSSESSES DIRECT, WRITTEN AUTHORIZATION FROM ROSEN AVIATION. THIS DRAWING MAY BE COVERED UNDER ONE OR MORE U.S. OR INTERNATIONAL PATENTS. PLEASE CONTACT ROSEN AVIATION FOR SPECIFIC INFORMATION.

ROSEN AVIATION 1020 OWEN LOOP SOUTH EUGENE, OREGON 97402 TEL: (541) 342-3802 FAX: (541) 342-4912	APPROVALS	INITIAL	DATE
	DRAWN BY	GJH	10/15/04
	CHECKER	SDS	11/01/04
	ENGINEER	JW	11/01/04
TITLE		DWG NO	
CENTER MOUNT, PCP5, POGO ARM, w/PLACARD		7000-112	
FIRST CALLED FOR: (FCF)		SIZE	REV
7" WIDESCREEN		A	F
SCALE 1:4		SHEET 1 OF 2	

B

A

B

A

Performance Specifications (Reference)

LCD Performance	
Screen Resolution (pixels)	480 x 234
Video Standards supported	NTSC
Display Viewing Area (in)	6.07 x 3.43
Vertical Viewing Angle	+45°(up), -60°(down)
Horizontal Viewing Angle	±60°
Contrast Ratio	60 min
Backlight Lamp Life	10,000 hours
Screen Brightness	350 cd/m ² typ 260 cd/m ² min

Power Requirements	
Nominal Voltage	28VDC
Nominal Current	.31 A
Current Max	.40 A

Environmental Specifications	
Operating Temperature	0°C - 60°C
Altitude	15,000ft
Humidity	95%RH
Vibration	1.48 grms
Power Input	DO-160D Cat AB
RF Susceptibility	DO-160D Cat TTT
Emission of RF Energy	DO-160D Cat B

MTBF Prediction	1,785 hours
------------------------	-------------

Base Receptacle Pinout* - DB9

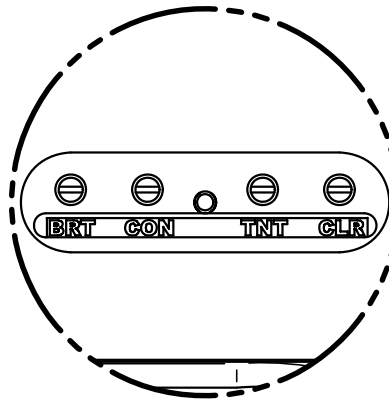
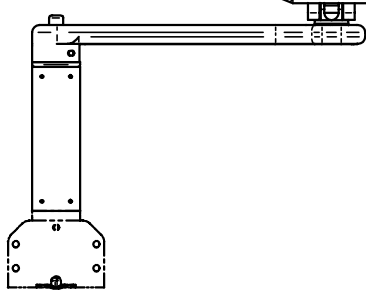
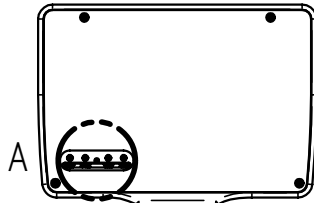
Slimline Base Receptacle Model 0100-041	
Connector: 9 Pin Male D-Subminiature Positronic SDM0000Z	
Mate: 9 Pin Female D-Subminiature Positronic SD9F0000X	

Pin #	Monitor signal
1	Chassis Ground
2	+28V DC
3	DC Return
4	Select Switch
5	Select Switch Return
6	Reserved
7	Video Signal Input
8	Video Ground
9	Reserved

Base Receptacle Pinout* - BNC/Molex

Slimline Base Receptacle Model 0100-040	
Video Connector: BNC Jack, (AMP 221199-5)	
Power Connector: Male 3 pin, .062" Molex	
Mating Video Connector: BNC Plug	
Mating Power Connector: Molex 03-06-1038	
Mating Power Contact: Molex 02-06-1103	

Pin #	Monitor signal
BNC signal	Video Signal
BNC shield	Video Return
Molex 1	+28V DC
Molex 2	DC Return
Molex 3	Reserved



DETAIL A

**

Notes:

- * BASE SOLD SEPARATELY
- ** FINE TUNING ADJUSTMENT OF DISPLAY AVAILABLE BY REMOVING ACCESS PANEL ON BACK OF MONITOR (DETAIL A).

THE INFORMATION CONTAINED HEREIN IS PROPRIETARY TO ROSEN AVIATION, LLC. IT SHALL NOT BE REPRODUCED OR DISCLOSED IN WHOLE OR IN PART OR USED FOR ANY DESIGN OR MANUFACTURE EXCEPT WHEN SUCH USER POSSESSES DIRECT, WRITTEN AUTHORIZATION FROM ROSEN AVIATION, LLC. THIS DRAWING MAY BE COVERED UNDER ONE OR MORE U.S. OR INTERNATIONAL PATENTS. PLEASE CONTACT ROSEN AVIATION FOR SPECIFIC INFORMATION.

ROSEN AVIATION	1020 OWEN LOOP SOUTH EUGENE, OREGON 97402 TEL: (541) 342-3802 FAX: (541) 342-4912	SIZE A	DWG NO 7000-112	REV F
	SCALE NONE	SHEET 2 OF 2		