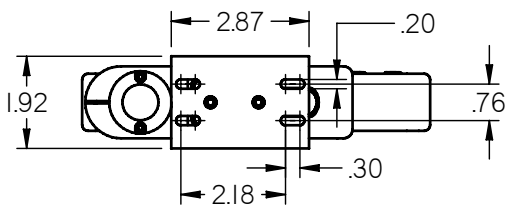
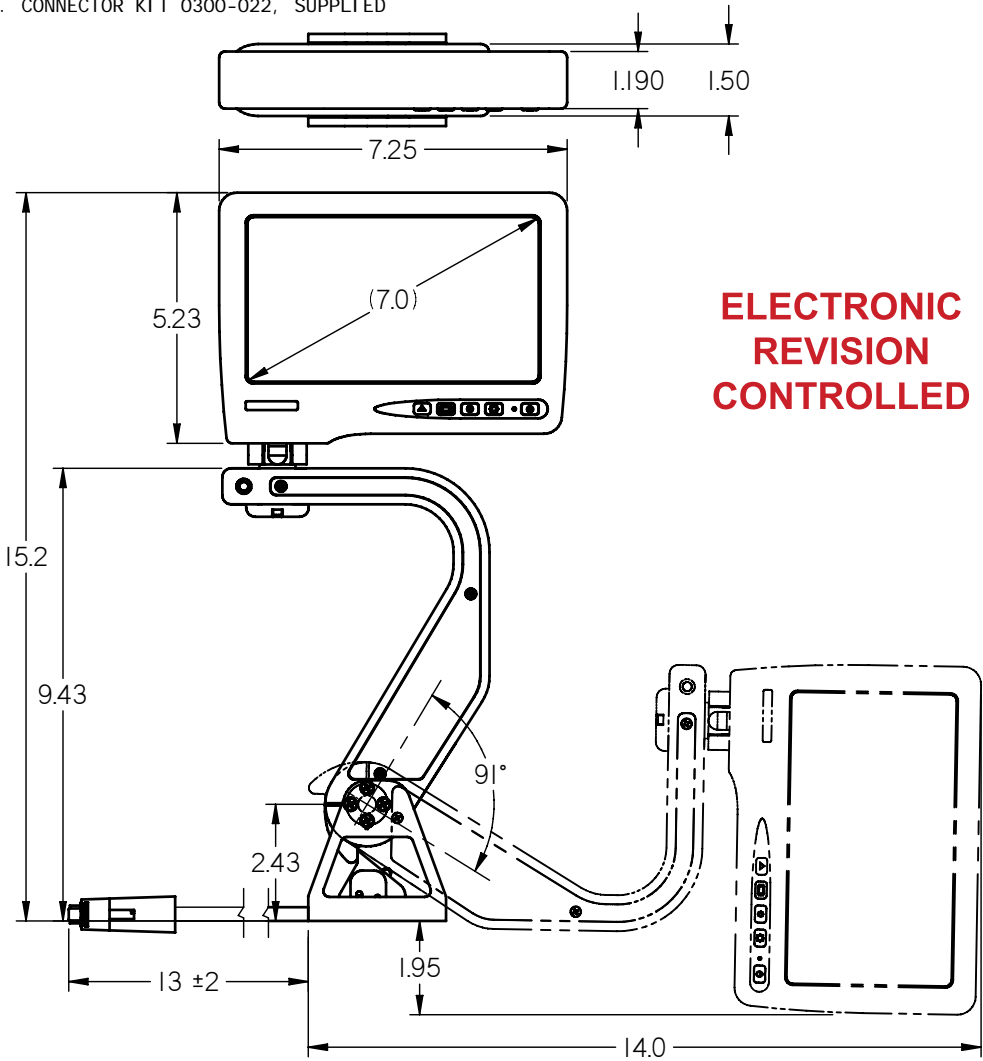
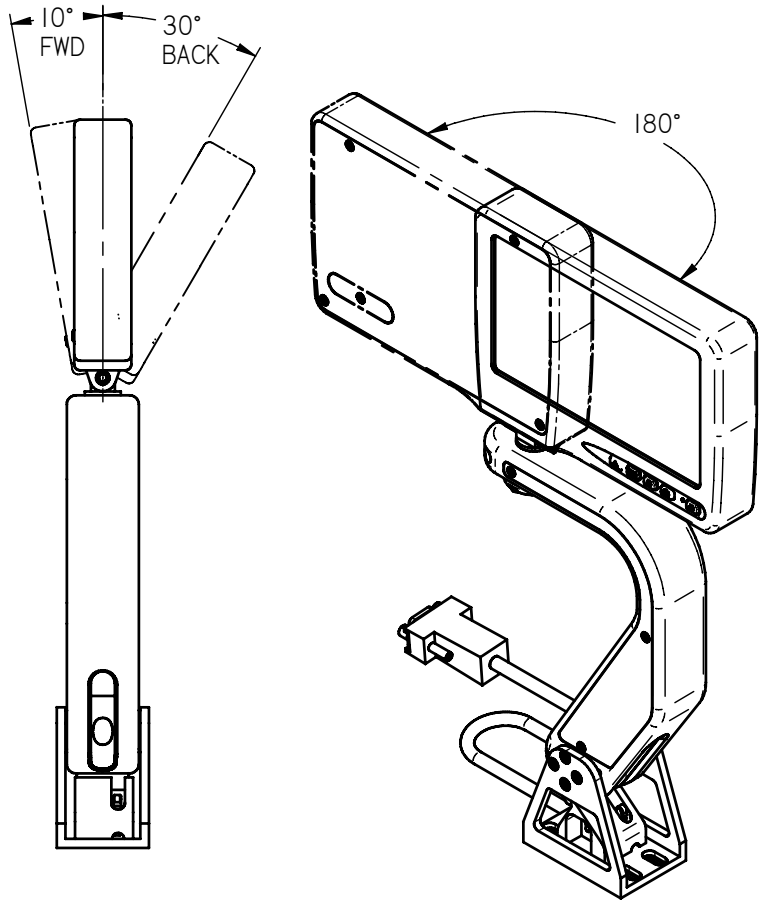


NOTES: (unless otherwise specified)

1. MATERIALS: SEE SEPARATE BOM
2. COMPONENT WEIGHT: 4.2 LBS. MAX
3. LABELS, SHIPPING PACKAGE, AND SOME MINOR PARTS OMITTED FROM DRAWING FOR CLARITY.
4. CONNECTOR KIT 0300-022, SUPPLIED



| REVISIONS | | | | | | |
|-----------|-----|--|----------|-----|---------|------|
| ZONE | REV | DESCRIPTION | DATE | BY | CHG NO | APRV |
| - | C | ADD CONN KIT 0300-022 TO BOM | 05/10/04 | GJH | 04124 | JW |
| A2 | D | RECONFIGURE BOM, CHG ANGLE TOL FROM 3° TO 5° | 05/17/05 | GJH | 05111 | JW |
| A2 | F | CHG TOL BLOCK, UPDATE DWG STD'S | 10/11/05 | GJH | 05431 | - |
| | G | CHG TO AW HARNESS | 09/18/06 | GJH | EC06196 | JW |
| B2 | H | CHG ROTATION FROM 170° | 04/03/07 | GJH | EC07086 | SC |



**ELECTRONIC
REVISION
CONTROLLED**

THE INFORMATION CONTAINED HEREIN IS PROPRIETARY TO ROSEN AVIATION, LLC. IT SHALL NOT BE REPRODUCED OR DISCLOSED IN WHOLE OR IN PART OR USED FOR ANY DESIGN OR MANUFACTURE EXCEPT WHEN SUCH USER POSSESSES DIRECT, WRITTEN AUTHORIZATION FROM ROSEN AVIATION. THIS DRAWING MAY BE COVERED UNDER ONE OR MORE U.S. OR INTERNATIONAL PATENTS. PLEASE CONTACT ROSEN AVIATION FOR SPECIFIC INFORMATION.

| | | | |
|--|---|---------|----------|
| Rosen AVIATION 1020 OWEN LOOP SOUTH EUGENE, OREGON 97402 TEL: (541) 342-3802 FAX: (541) 342-4912 | APPROVALS | INITIAL | DATE |
| | DRAWN BY | JEA | 05/29/02 |
| | CHECKER | JW | 06/20/02 |
| | ENGINEER | JA | 06/20/02 |
| TITLE | LEFT MOUNT, w/SELECT SWITCH RGD9L ARM 7" WIDESCREEN | | |
| FIRST CALLED FOR: (FCF) | DWG NO 7000-126 | | |
| SIZE | A | REV | H |
| SCALE | 1 : 4 | SHEET | 1 OF 2 |

UNLESS OTHERWISE SPECIFIED DIMENSIONS ARE IN INCHES
 .X = ± .1
 .XX = ± .03
 ∠ = ± 5°
 INTERPRET DIM AND TOL PER ASME Y14.5M - 1994

Performance Specifications (Reference)

LCD Performance

| | |
|----------------------------|--------------------------------|
| Screen Resolution (pixels) | 480 x 234 |
| Video Standards supported | NTSC |
| Display Viewing Area (in) | 6.07 x 3.43 |
| Vertical Viewing Angle | +45°(up), -60°(down) |
| Horizontal Viewing Angle | ±60° |
| Contrast Ratio | 60 MIN |
| Backlight Lamp Life | 10,000 hours |
| Screen Brightness | 350 cd/m2 typ 260 cd/m2 min |

Power Requirements

| | |
|-----------------|-------|
| Nominal Voltage | 28VDC |
| Nominal Current | .31 A |
| Current Max | .40 A |

Environmental Specifications

| | |
|-----------------------|-----------------|
| Operating Temperature | 0°C - 60°C |
| Altitude | 15,000ft |
| Humidity | 95%RH |
| Vibration | 1.48 grms |
| Power Input | DO-160D Cat AB |
| RF Susceptibility | DO-160D Cat TTT |
| Emission of RF Energy | DO-160D Cat B |

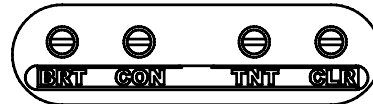
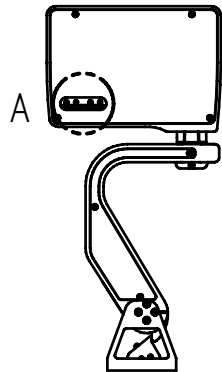
| | |
|------------------------|-------------|
| MTBF Prediction | 1,785 hours |
|------------------------|-------------|

DB9 Pinout

Connector: 9 Pin Male D-Subminiature
Positronic SD9M0000Z

Mate: 9 Pin Female D-Subminiature
Positronic SD9F0000X

| Pin # | Monitor signal |
|-------|----------------------|
| 1 | Chassis Ground |
| 2 | +28V DC |
| 3 | DC Return |
| 4 | Select Switch |
| 5 | Select Switch Return |
| 6 | Reserved |
| 7 | Video Signal Input |
| 8 | Video Ground |
| 9 | Reserved |



Notes:

** FINE TUNING ADJUSTMENT OF DISPLAY AVAILABLE BY REMOVING ACCESS PANEL ON BACK OF MONITOR (DETAIL A).

DETAIL A **

THE INFORMATION CONTAINED HEREIN IS PROPRIETARY TO ROSEN AVIATION, LLC. IT SHALL NOT BE REPRODUCED OR DISCLOSED IN WHOLE OR IN PART OR USED FOR ANY DESIGN OR MANUFACTURE EXCEPT WHEN SUCH USER POSSESSES DIRECT, WRITTEN AUTHORIZATION FROM ROSEN AVIATION, LLC. THIS DRAWING MAY BE COVERED UNDER ONE OR MORE U.S. OR INTERNATIONAL PATENTS. PLEASE CONTACT ROSEN AVIATION FOR SPECIFIC INFORMATION.

| | | | | |
|-------------------|---|-------|----------|--------------|
| ROSEN AVIATION | 1020 OWEN LOOP SOUTH EUGENE, OREGON 97402 TEL: (541) 342-3802 FAX: (541) 342-4912 | SIZE | DWG NO | REV |
| | | A | 7000-126 | H |
| | | SCALE | NONE | SHEET 2 OF 2 |