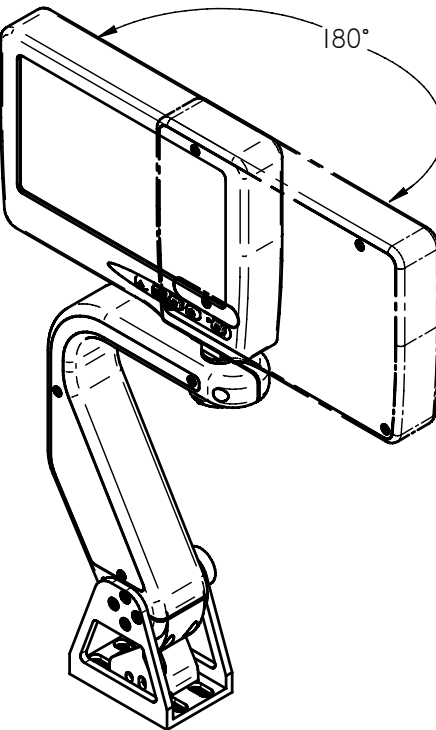
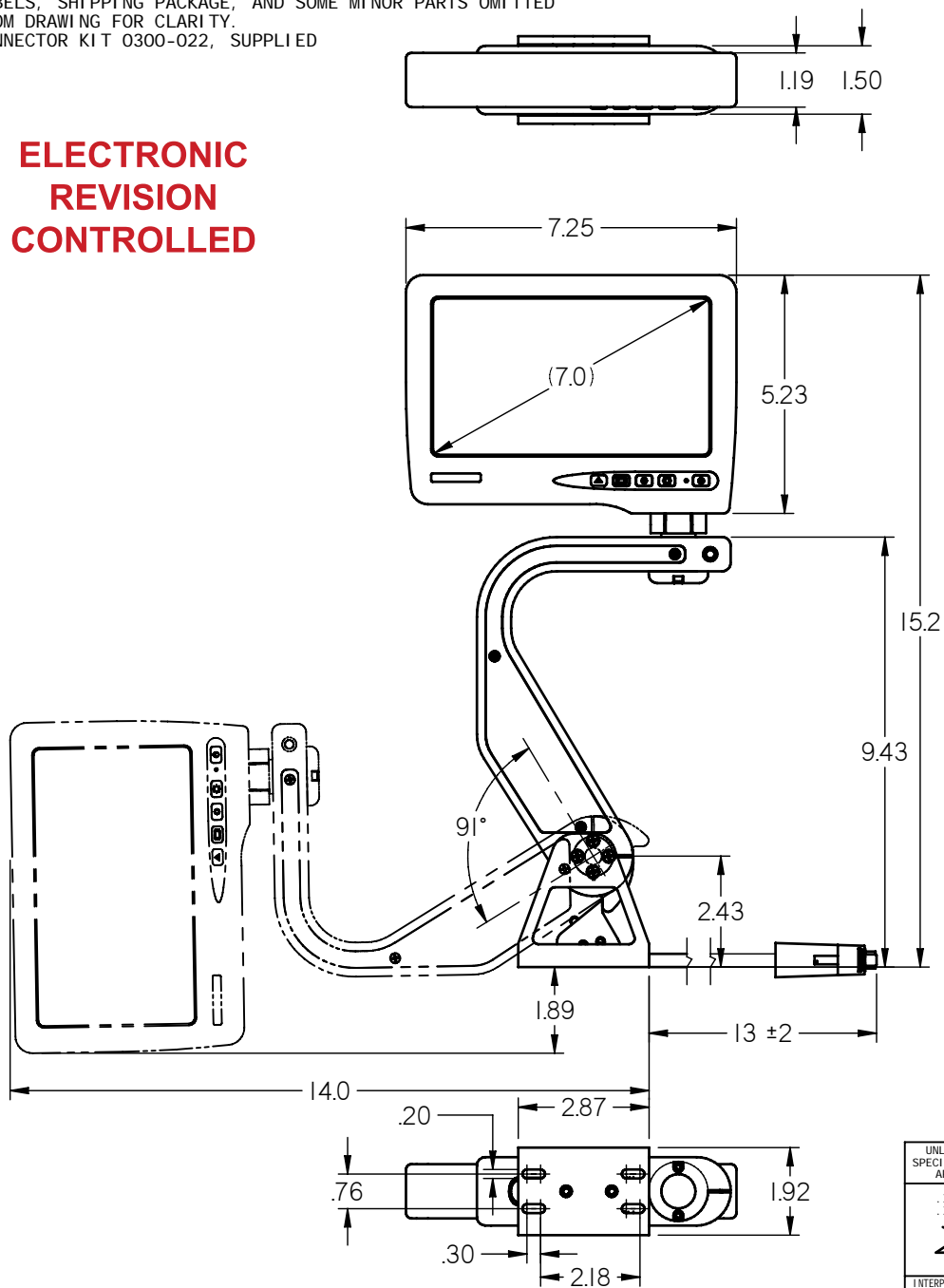


- NOTES: (unless otherwise specified)
1. MATERIALS: SEE SEPARATE BOM
 2. COMPONENT WEIGHT: 4.2 LBS. MAX
 3. LABELS, SHIPPING PACKAGE, AND SOME MINOR PARTS OMITTED FROM DRAWING FOR CLARITY.
 4. CONNECTOR KIT 0300-022, SUPPLIED

**ELECTRONIC
REVISION
CONTROLLED**

B

A



B

A

REVISIONS						
ZONE	REV	DESCRIPTION	DATE	BY	CHG NO	APRV
-	A	PRODUCTION RELEASE	05/29/02	JEA	02405	-
-	B	CHANGE TLA PART NUMBER TO MODEL NUMBER, UPDATE BORDER	05/01/03	JEA	03071	JW
-	C	ADD CONN KIT 0300-022 TO BOM	05/10/04	GJH	04124	JW
A2	D	RECONFIGURE BOM, CHG ANGLE TOL FROM 3° TO 5°	05/17/05	GJH	05111	JW
	F	CHG TO AW HARNESS	09/18/06	GJH	EC06196	JW
B2	G	CHG ROTATION FROM 170°	04/03/07	GJH	EC07086	SC

THE INFORMATION CONTAINED HEREIN IS PROPRIETARY TO ROSEN AVIATION, LLC. IT SHALL NOT BE REPRODUCED OR DISCLOSED IN WHOLE OR IN PART OR USED FOR ANY DESIGN OR MANUFACTURE EXCEPT WHEN SUCH USER POSSESSES DIRECT, WRITTEN AUTHORIZATION FROM ROSEN AVIATION. THIS DRAWING MAY BE COVERED UNDER ONE OR MORE U.S. OR INTERNATIONAL PATENTS. PLEASE CONTACT ROSEN AVIATION FOR SPECIFIC INFORMATION.

Rosen AVIATION 1020 OWEN LOOP SOUTH EUGENE, OREGON 97402 TEL: (541) 342-3802 FAX: (541) 342-4912	APPROVALS	INITIAL	DATE
	DRAWN BY	JEA	05/29/02
	CHECKER	JW	06/20/02
	ENGINEER	JA	06/20/02
TITLE RIGHT MOUNT w/SELECT SWITCH, RGD9R ARM FIRST CALLED FOR: (FCF) 7" WIDESCREEN		DWG NO 7000-127	
SCALE 1 : 4		SHEET 1 OF 2	
		SIZE A	REV G

UNLESS OTHERWISE SPECIFIED DIMENSIONS ARE IN INCHES

.X = ± .1
.XX = ± .03

∠ = ± 5°

INTERPRET DIM AND TOL PER ASME Y14.5M - 1994

1

2

Performance Specifications (Reference)

LCD Performance

Screen Resolution (pixels)	480 x 234
Video Standards supported	NTSC
Display Viewing Area (in)	6.07 x 3.43
Vertical Viewing Angle	+45°(up), -60°(down)
Horizontal Viewing Angle	±60°
Contrast Ratio	60 MIN
Backlight Lamp Life	10,000 hours
Screen Brightness	350 cd/m2 typ 260 cd/m2 min

Power Requirements

Nominal Voltage	28VDC
Nominal Current	.31 A
Current Max	.40 A

Environmental Specifications

Operating Temperature	0°C - 60°C
Altitude	15,000ft
Humidity	95%RH
Vibration	1.48 grms
Power Input	DO-160D Cat AB
RF Susceptibility	DO-160D Cat TTT
Emission of RF Energy	DO-160D Cat B

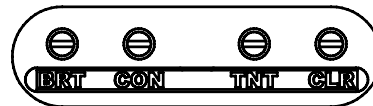
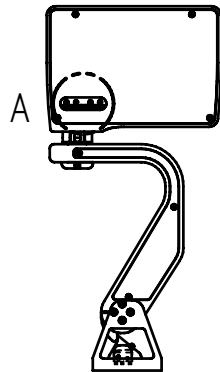
MTBF Prediction	1,785 hours
------------------------	-------------

DB9 Pinout

Connector: 9 Pin Male D-Subminiature
Positronic SD9M0000Z

Mate: 9 Pin Female D-Subminiature
Positronic SD9F0000X

Pin #	Monitor signal
1	Chassis Ground
2	+28V DC
3	DC Return
4	Select Switch
5	Select Switch Return
6	Reserved
7	Video Signal Input
8	Video Ground
9	Reserved



DETAIL A **

Notes:

** FINE TUNING ADJUSTMENT OF DISPLAY AVAILABLE BY REMOVING ACCESS PANEL ON BACK OF MONITOR (DETAIL A).

THE INFORMATION CONTAINED HEREIN IS PROPRIETARY TO ROSEN AVIATION, LLC. IT SHALL NOT BE REPRODUCED OR DISCLOSED IN WHOLE OR IN PART OR USED FOR ANY DESIGN OR MANUFACTURE EXCEPT WHEN SUCH USER POSSESSES DIRECT, WRITTEN AUTHORIZATION FROM ROSEN AVIATION, LLC. THIS DRAWING MAY BE COVERED UNDER ONE OR MORE U.S. OR INTERNATIONAL PATENTS. PLEASE CONTACT ROSEN AVIATION FOR SPECIFIC INFORMATION.

ROSEN AVIATION	1020 OWEN LOOP SOUTH EUGENE, OREGON 97402 TEL: (541) 342-3802 FAX: (541) 342-4912	SIZE	DWG NO	REV
		A	7000-127	G
		SCALE	NONE	SHEET 2 OF 2