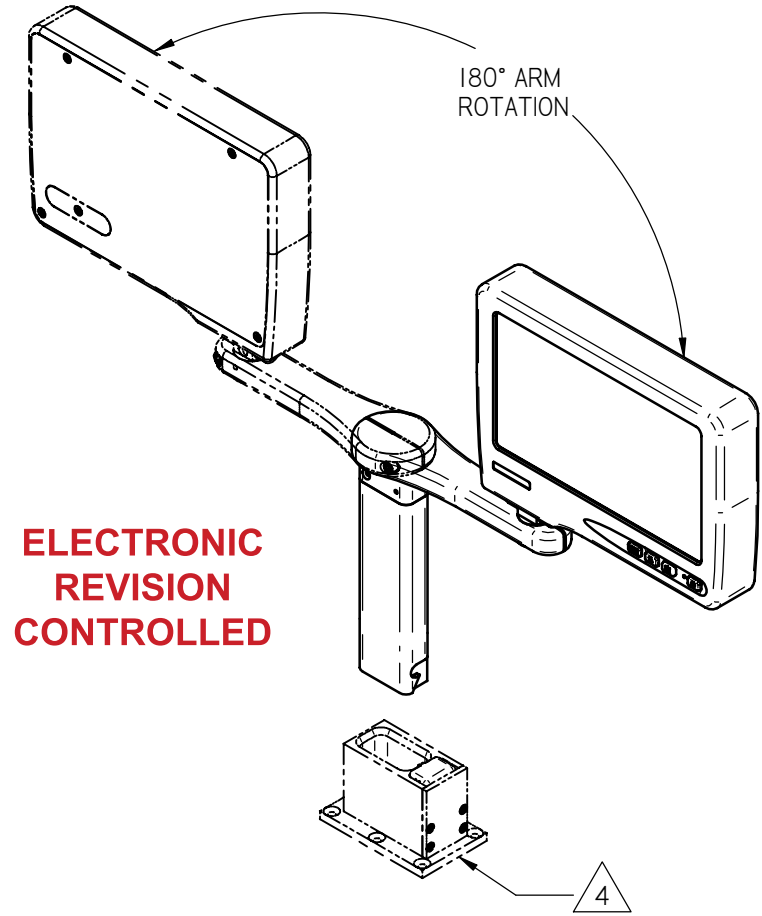
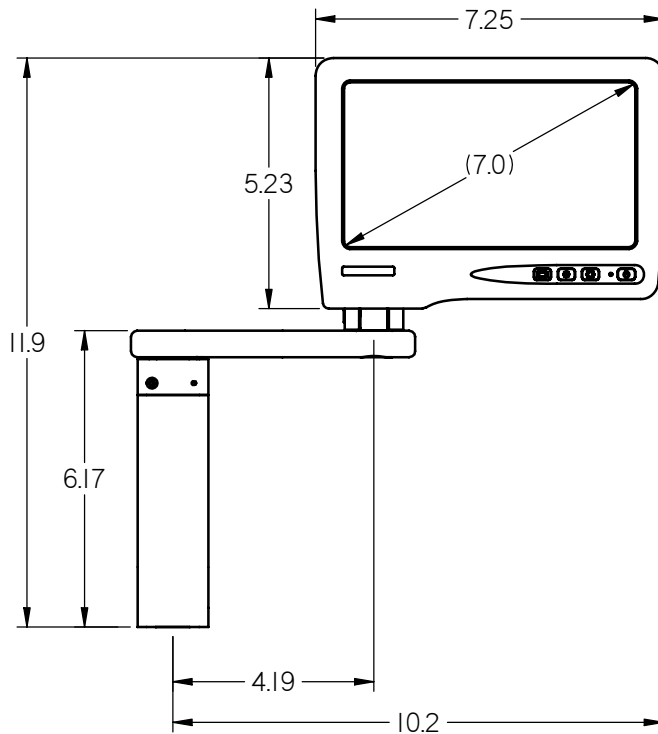
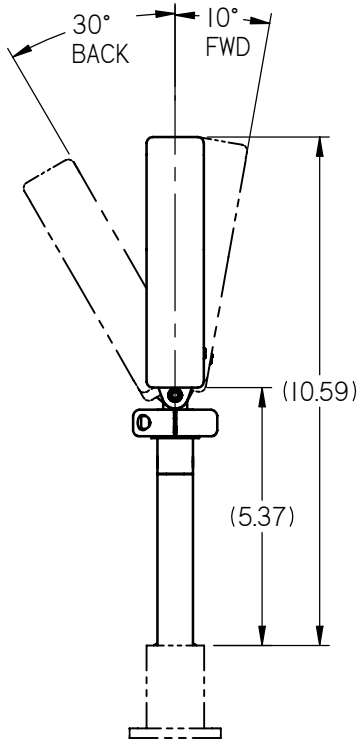
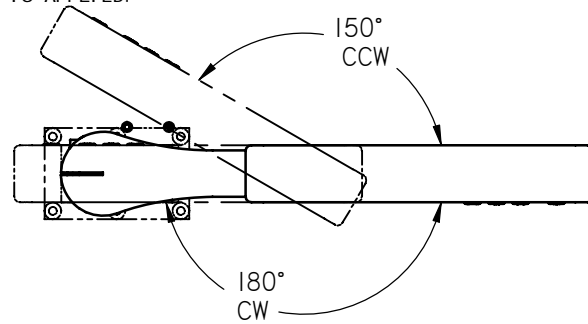


NOTES: (unless otherwise specified)

1. MATERIALS AND INSTRUCTIONS LISTED ON SEPARATE BILL OF MATERIALS.
2. ASSEMBLY WEIGHT: 3.2 LBS. MAX.
3. HARNESS AND SOME MINOR PARTS NOT SHOWN FOR CLARITY.
4. BASE SOLD SEPARATELY.
5. DO NOT PLUG OR UNPLUG MONITOR WHEN POWER IS APPLIED.
6. OBSERVE ESD SAFE HANDLING PRACTICES.



REVISIONS						
ZONE	REV	DESCRIPTION	DATE	BY	CHG NO	APRV
-	C	CORRECT MONITOR ROTATION	11/08/04	GJH	04314	JW
B1	D	CORRECT WEIGHT NOTE	05/05/05	GJH	05186	JW
-	F	RECONFIGURE BOM	05/17/05	GJH	05111	JW
pg2	G	CORRECT PINOUTS, UPDATE DWG STD'S	09/15/05	GJH	05372	JW
	H	CORRECT VIEWS TO SHOW ONE-PIECE PLUG	05/08/06	GJH	EC06122	SC
	J	CHG TO AW HARNESS	09/18/06	GJH	EC06194	JW

**ELECTRONIC REVISION CONTROLLED**

THE INFORMATION CONTAINED HEREIN IS PROPRIETARY TO ROSEN AVIATION, LLC. IT SHALL NOT BE REPRODUCED OR DISCLOSED IN WHOLE OR IN PART OR USED FOR ANY DESIGN OR MANUFACTURE EXCEPT WHEN SUCH USER POSSESSES DIRECT, WRITTEN AUTHORIZATION FROM ROSEN AVIATION. THIS DRAWING MAY BE COVERED UNDER ONE OR MORE U.S. OR INTERNATIONAL PATENTS. PLEASE CONTACT ROSEN AVIATION FOR SPECIFIC INFORMATION.

<b>Rosen AVIATION</b> 1020 OWEN LOOP SOUTH EUGENE, OREGON 97402 TEL: (541) 342-3802 FAX: (541) 342-4912	APPROVALS	INITIAL	DATE
	DRAWN BY	JEA	04/23/02
	CHECKER	JW	05/15/02
	ENGINEER	CT	05/16/02
TITLE			DWG NO
LEFT MOUNT, UAB5 ARM			7000-180
FIRST CALLED FOR: (FCF)			SIZE
7" WIDESCREEN			A
			REV
			J
SCALE 1:4		SHEET 1 OF 2	

UNLESS OTHERWISE SPECIFIED DIMENSIONS ARE IN INCHES  
 .X = ± .1  
 .XX = ± .03  
 ⌀ = ± 5.0°  
 RADI = ± .020  
 INTERPRET DIM AND TOL PER ASME Y14.5M - 1994

REFER TO [www.rosenaviation.com](http://www.rosenaviation.com) FOR THE LATEST REVISION INFORMATION.

Performance Specifications (Reference)

LCD Performance	
Screen Resolution (pixels)	480 x 234
Video Standards supported	NTSC
Display Viewing Area (in)	6.07 x 3.43
Vertical Viewing Angle	+45°(up), -60°(down)
Horizontal Viewing Angle	±60°
Contrast Ratio	60 MIN
Backlight Lamp Life	10,000 hours
Screen Brightness	350 cd/m2 typ 260 cd/m2 min

Power Requirements

Nominal Voltage	28VDC
Nominal Current	.31 A
Current Max	.40 A

Environmental Specifications

Operating Temperature	0°C - 60°C
Altitude	15,000ft
Humidity	95%RH
Vibration	1.48 grms
Power Input	DO-160D Cat AB
RF Susceptibility	DO-160D Cat TT
Emission of RF Energy	DO-160D Cat B

MTBF Prediction	1,785 hours
-----------------	-------------

Base Receptacle Pinout - DB9

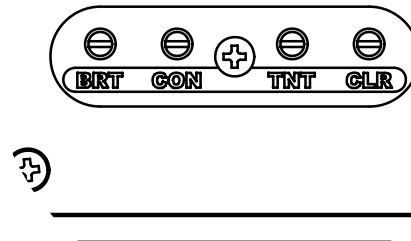
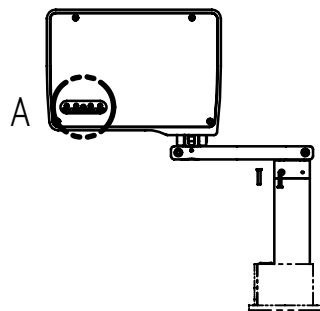
RNVAP Base Receptacle Model 0100-010
Connector: 9 Pin Male D-Subminiature Positronic SD9M0000Z
Mate: 9 Pin Female D-Subminiature Positronic SD9F0000X

Pin #	Monitor signal
1	Chassis Ground
2	DC Input
3	DC Return
4	Connected to pin 5
5	Connected to pin 4
6	Reserved
7	Video Signal Input
8	Video Ground
9	Reserved

Base Receptacle Pinout-BNC/Molex

RNVAP Base Receptacle Model 0100-011
Video Connector: BNC Jack, AMP 221199-5
Power Connector: Male 3 pin, .062" Molex
Mating Video Connector: BNC Plug
Mating Power Connector: Molex 03-06-1038
Mating Power Contact: Molex 02-06-1103

Pin #	Monitor signal
BNC signal	Video Signal
BNC shield	Video Return
Molex 1	DC Input
Molex 2	DC Return
Molex 3	Reserved



Notes:

- \* BASE SOLD SEPARATELY
- \*\* FINE TUNING ADJUSTMENT OF DISPLAY AVAILABLE BY REMOVING ACCESS PANEL ON BACK OF MONITOR (DETAIL A).

DETAIL A \*\*

<small>THE INFORMATION CONTAINED HEREIN IS PROPRIETARY TO ROSEN AVIATION, LLC. IT SHALL NOT BE REPRODUCED OR DISCLOSED IN WHOLE OR IN PART OR USED FOR ANY DESIGN OR MANUFACTURE EXCEPT WHEN SUCH USER POSSESSES DIRECT, WRITTEN AUTHORIZATION FROM ROSEN AVIATION, LLC. THIS DRAWING MAY BE COVERED UNDER ONE OR MORE U.S. OR INTERNATIONAL PATENTS. PLEASE CONTACT ROSEN AVIATION FOR SPECIFIC INFORMATION.</small>			
	1020 OWEN LOOP SOUTH EUGENE, OREGON 97402 TEL: (541) 342-3802 FAX: (541) 342-4912	SIZE DWG NO A 7000-180	REV J
	SCALE NONE SHEET 2 OF 2		