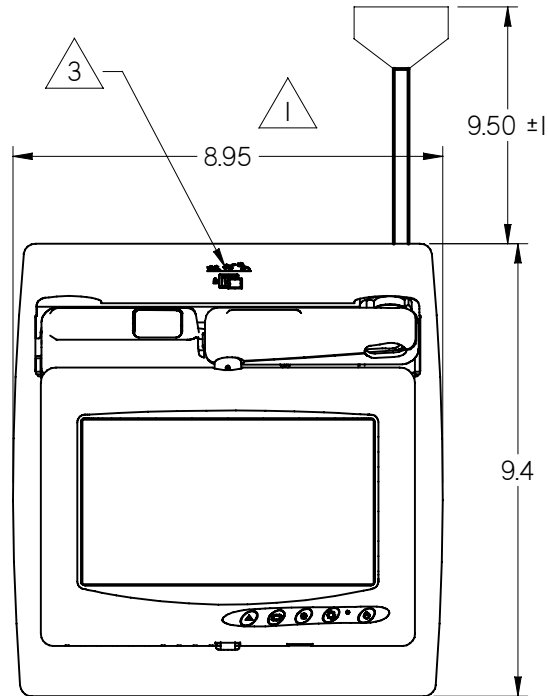


NOTES: (unless otherwise specified)

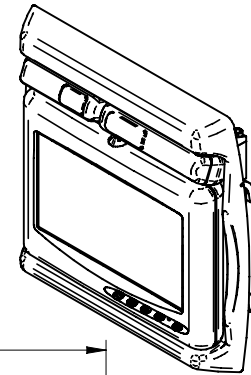
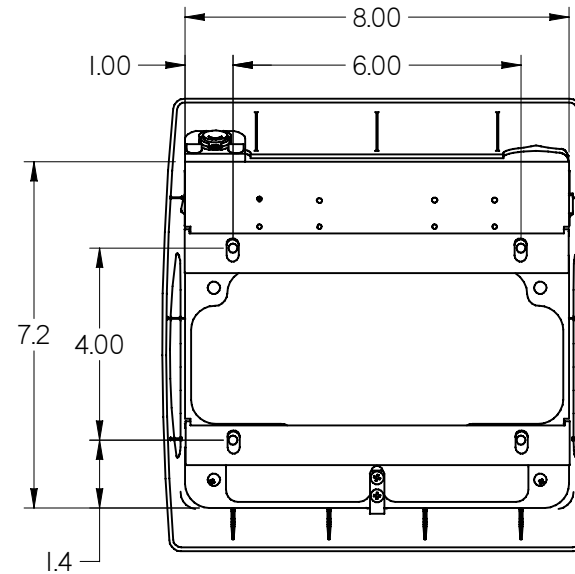
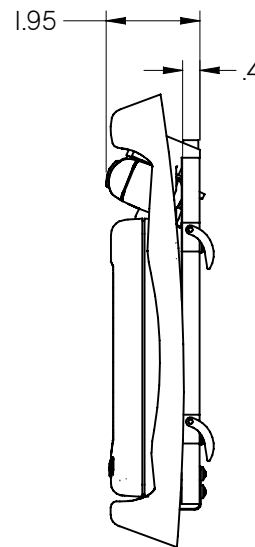
1. COMPONENT WEIGHT: 3.75 LBS.  $\pm 5\%$
2. LABELS, SHIPPING PACKAGE, AND SOME MINOR PARTS OMITTED FROM SOME DRAWING VIEWS FOR CLARITY.
3. REFER TO DRAWINGS 0500-001 AND 9002583 FOR PLACEMENT AND PLACARD INFORMATION. PLACARD NOT SHOWN IN ALL VIEWS.

REVISIONS						
ZONE	REV	DESCRIPTION	DATE	BY	CHG NO	APRV
	A	INITIAL DRAWING RELEASE	12/09/05	GJH	ECO5025	
	B	ADD VIEWS AND CONNECTOR INFO TO pg4	03/06/06	GJH	ECO6053	SDS

**FOR REFERENCE ONLY**



A - SEE SHEET 4



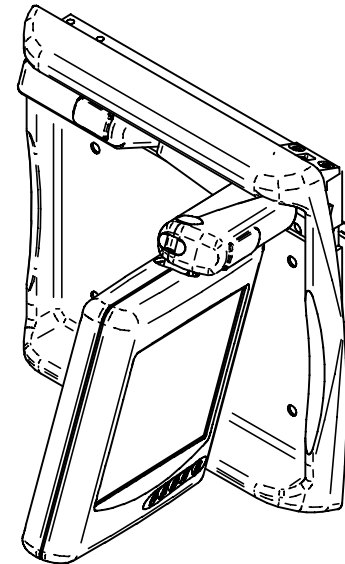
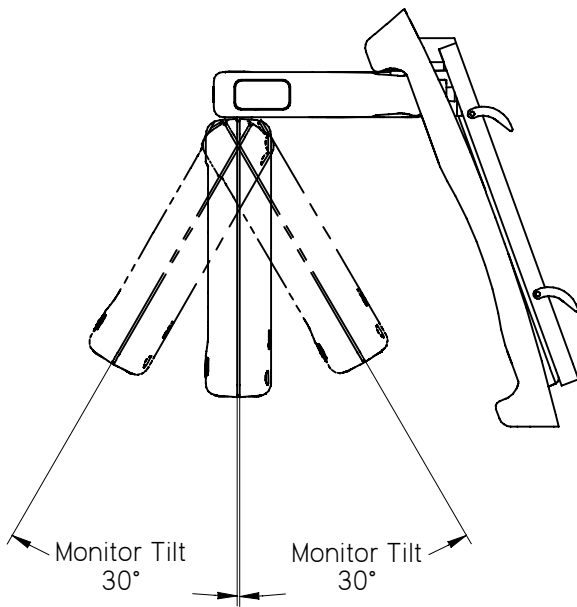
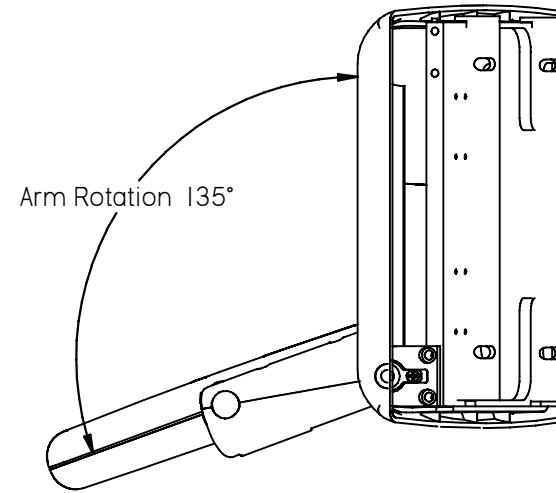
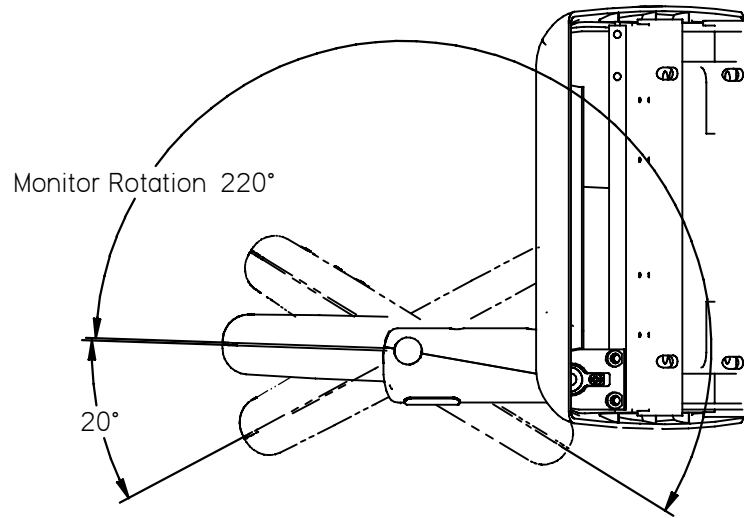
THE INFORMATION CONTAINED HEREIN IS PROPRIETARY TO ROSEN AVIATION, LLC. IT SHALL NOT BE REPRODUCED OR DISCLOSED IN WHOLE OR IN PART OR USED FOR ANY DESIGN OR MANUFACTURE EXCEPT WHEN SUCH USER POSSESSES DIRECT, WRITTEN AUTHORIZATION FROM ROSEN AVIATION. THIS DRAWING MAY BE COVERED UNDER ONE OR MORE U.S. OR INTERNATIONAL PATENTS. PLEASE CONTACT ROSEN AVIATION FOR SPECIFIC INFORMATION.

<b>ROSEN AVIATION</b> 1020 OWEN LOOP SOUTH EUGENE, OREGON 97402 TEL: (541) 342-3802 FAX: (541) 342-4912	APPROVALS	INITIAL	DATE
	DRAWN BY	GJH	12/09/05
TITLE <b>OUTLINE AND INSTALLATION          RIGHT, w / SELECT SWITCH</b>	CHECKER	SC	12/08/05
	ENGINEER	SDS	12/09/05
FIRST CALLED FOR: (FCF) <b>7" WIDESCREEN SIDEWALL</b>	DWG NO 7001-009-CD		
	SIZE A		REV B
SCALE 1:4		SHEET 1 OF 4	

UNLESS OTHERWISE SPECIFIED DIMENSIONS ARE IN INCHES  
 .XX =  $\pm .03$   
 =  $\pm 3.0^\circ$   
 INTERPRET DIM AND TOL PER ASME Y14.5M - 1994

1

2



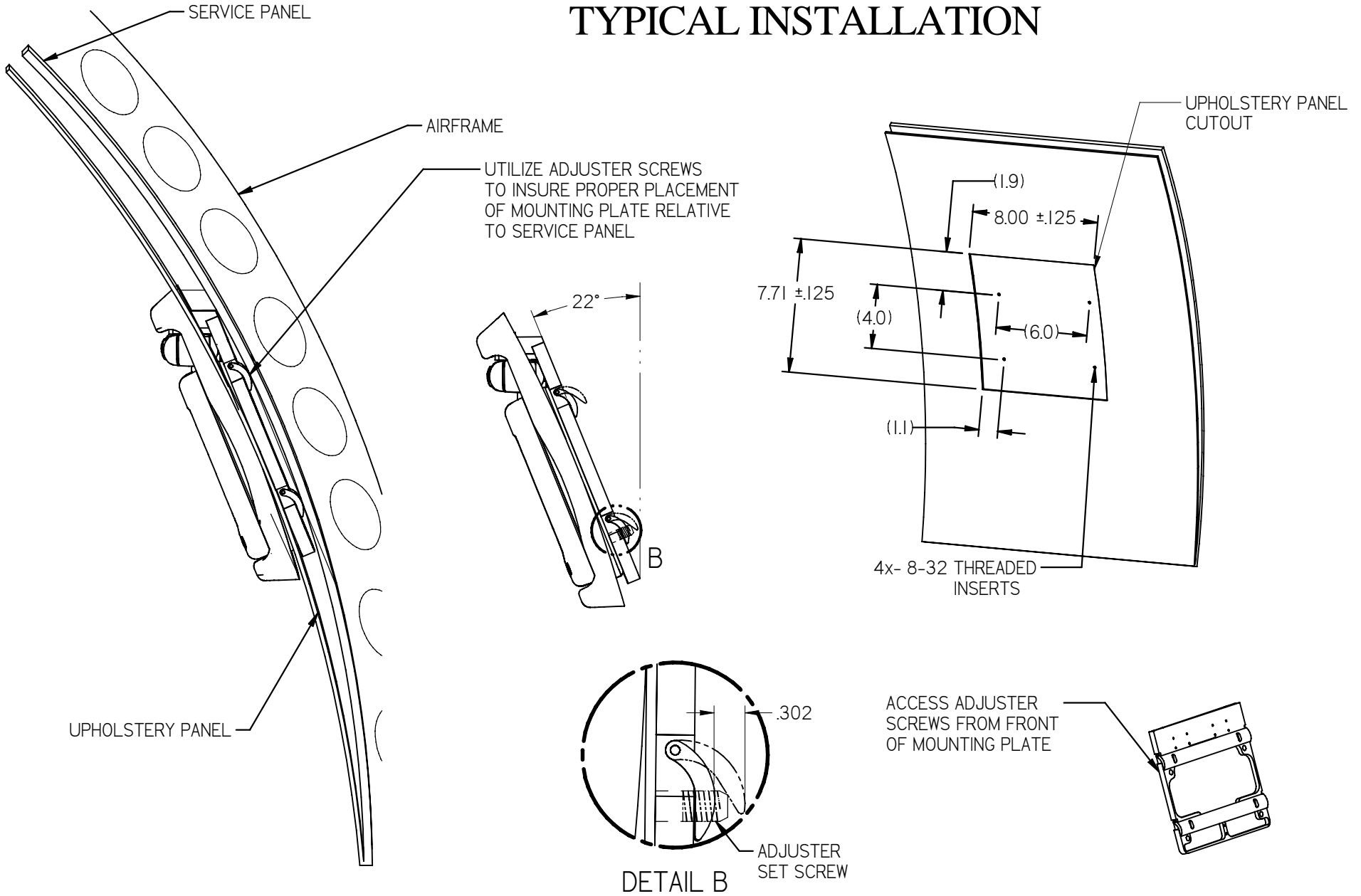
THE INFORMATION CONTAINED HEREIN IS PROPRIETARY TO ROSEN AVIATION, LLC. IT SHALL NOT BE REPRODUCED OR DISCLOSED IN WHOLE OR IN PART OR USED FOR ANY DESIGN OR MANUFACTURE EXCEPT WHEN SUCH USER POSSESSES DIRECT, WRITTEN AUTHORIZATION FROM ROSEN AVIATION, LLC. THIS DRAWING MAY BE COVERED UNDER ONE OR MORE U.S. OR INTERNATIONAL PATENTS. PLEASE CONTACT ROSEN AVIATION FOR SPECIFIC INFORMATION.

ROSEN AVIATION	1020 OWEN LOOP SOUTH EUGENE, OREGON 97402 TEL: (541) 342-3802 FAX: (541) 342-4912	SIZE A	DWG NO 7001-009-CD	REV B
	SCALE NONE	SHEET 2 OF 4		

1

2

# TYPICAL INSTALLATION



THE INFORMATION CONTAINED HEREIN IS PROPRIETARY TO ROSEN AVIATION, LLC. IT SHALL NOT BE REPRODUCED OR DISCLOSED IN WHOLE OR IN PART OR USED FOR ANY DESIGN OR MANUFACTURE EXCEPT WHEN SUCH USER POSSESSES DIRECT, WRITTEN AUTHORIZATION FROM ROSEN AVIATION, LLC. THIS DRAWING MAY BE COVERED UNDER ONE OR MORE U.S. OR INTERNATIONAL PATENTS. PLEASE CONTACT ROSEN AVIATION FOR SPECIFIC INFORMATION.

ROSEN AVIATION	1020 OWEN LOOP SOUTH EUGENE, OREGON 97402 TEL: (541) 342-3802 FAX: (541) 342-4912	SIZE A	DWG NO 7001-009-CD	REV B
	SCALE NONE	SHEET 3 OF 4		

Performance Specifications (Reference)

**LCD Performance**

Screen Resolution (pixels)	480 x 234
Video Standards supported	NTSC
Display Viewing Area (in)	6.07 x 3.43
Vertical Viewing Angle	+45°(up), -60°(down)
Horizontal Viewing Angle	±60°
Contrast Ratio	60 MIN
Backlight Lamp Life	10,000 hours
Screen Brightness	350 cd/m <sup>2</sup> typ 260 cd/m <sup>2</sup> min

**Power Requirements**

Nominal Voltage	28VDC
Nominal Current	.31 A
Current Max	.40 A

**Environmental Specifications**

Operating Temperature	0°C - 60°C
Altitude	15,000ft
Humidity	95%RH
Vibration	1.48 grms
Power Input	DO-160D Cat AB
RF Susceptibility	DO-160D Cat TT
Emission of RF Energy	DO-160D Cat B

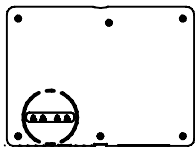
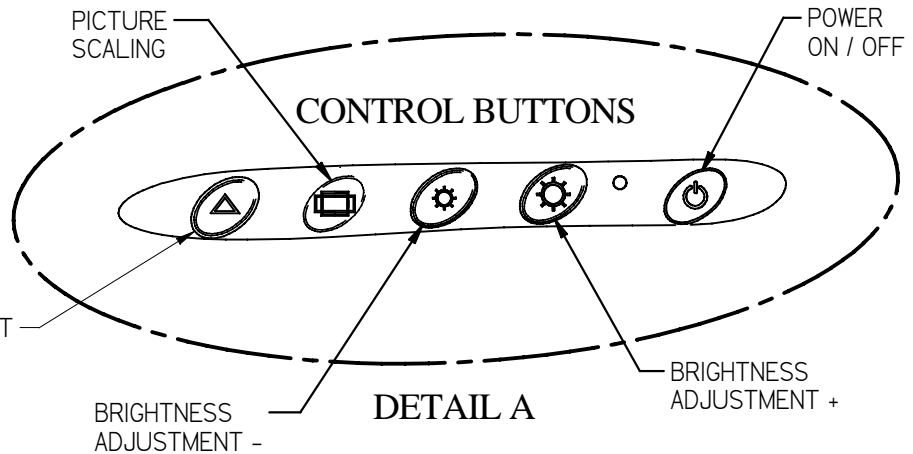
**MTBF Prediction**

1,785 hours

Main Connector Pinout

Connector: 5W1 COMBO-D MALE  
ITT Cannon - DEME5W1PK87  
Coax Contact: ITT Cannon - D130322-2  
Mate: 5W1 COMBO-D FEMALE  
ITT Cannon - DEME5W1S  
Mating Coax Contact: ITT Cannon - D130344-1

Pin #	Monitor signal
1	SELECT SWITCH RETURN
2	+28VDC
3	SELECT SWITCH
4	DC RETURN
A1 SIGNAL	VIDEO SIGNAL
A1 SHIELD	VIDEO RETURN
SHELL	CHASSIS GROUND



C - VIEW LOOKING AT MONITOR'S BACK CASE CONTROLS LOCATED UNDER ADHESIVE COVER.



DETAIL C

THE INFORMATION CONTAINED HEREIN IS PROPRIETARY TO ROSEN AVIATION, LLC. IT SHALL NOT BE REPRODUCED OR DISCLOSED IN WHOLE OR IN PART OR USED FOR ANY DESIGN OR MANUFACTURE EXCEPT WHEN SUCH USER POSSESSES DIRECT, WRITTEN AUTHORIZATION FROM ROSEN AVIATION, LLC. THIS DRAWING MAY BE COVERED UNDER ONE OR MORE U.S. OR INTERNATIONAL PATENTS. PLEASE CONTACT ROSEN AVIATION FOR SPECIFIC INFORMATION.

ROSEN AVIATION	1020 OWEN LOOP SOUTH EUGENE, OREGON 97402 TEL: (541) 342-3802 FAX: (541) 342-4912	SIZE	DWG NO	REV
		A	7001-009-CD	B
SCALE NONE		SHEET	4 OF 4	