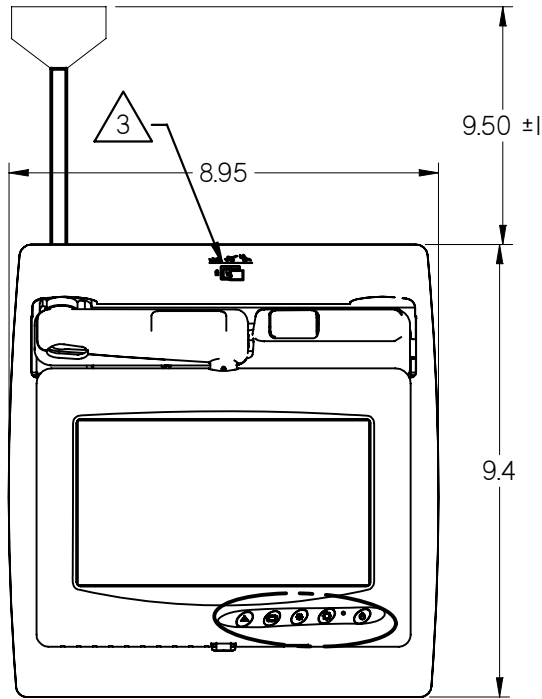


NOTES: (unless otherwise specified)

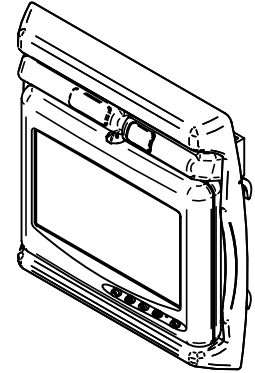
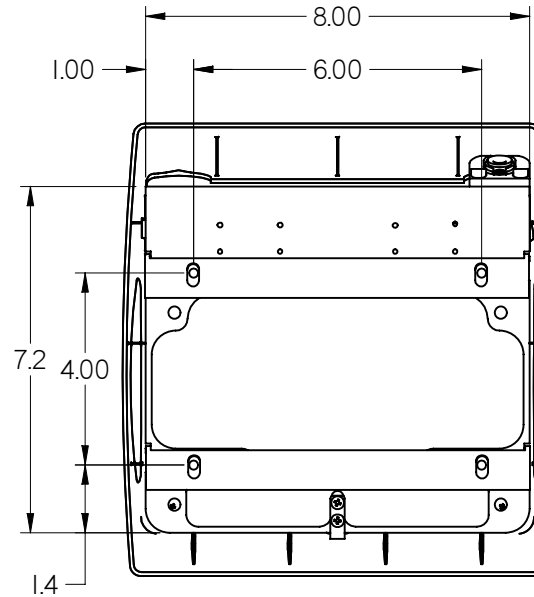
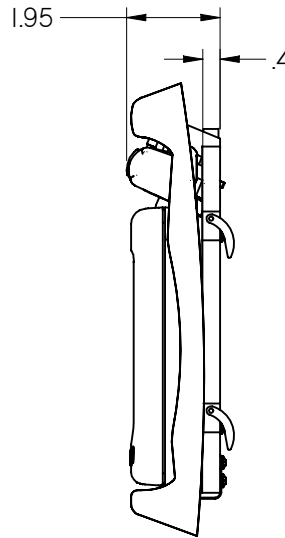
1. COMPONENT WEIGHT: 3.75 LBS. ±5%
2. LABELS, SHIPPING PACKAGE, AND SOME MINOR PARTS OMITTED FROM SOME DRAWING VIEWS FOR CLARITY.
3. REFER TO DRAWING 0500-008 MOD 00 FOR PLACEMENT AND PLACARD INFORMATION. PLACARD NOT SHOWN IN ALL VIEWS.

ELECTRONIC REVISION CONTROLLED

REVISIONS						
ZONE	REV	DESCRIPTION	DATE	BY	CHG NO	APRV
-	A	INITIAL DRAWING RELEASE	10/25/06	GJH	EC06257	-
B1	B	CORRECT HARNESS VIEW	10/31/06	GJH	EC06298	SDS



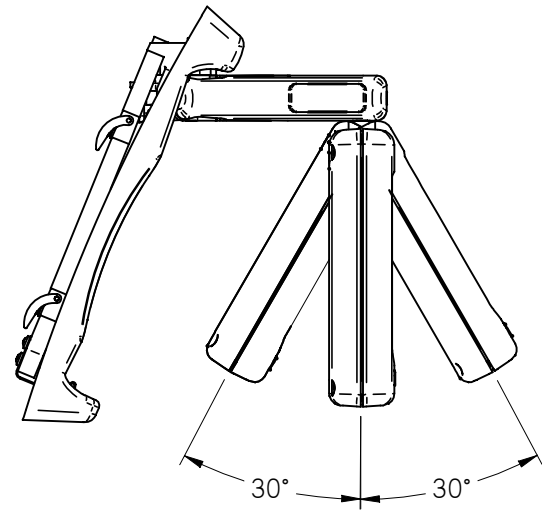
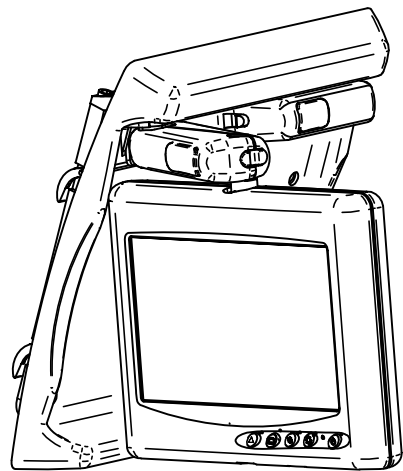
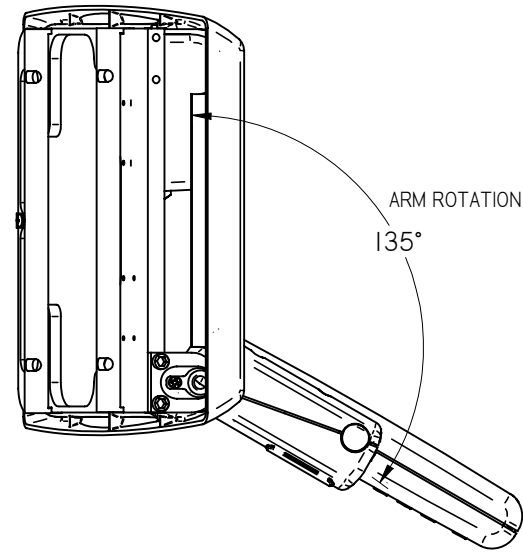
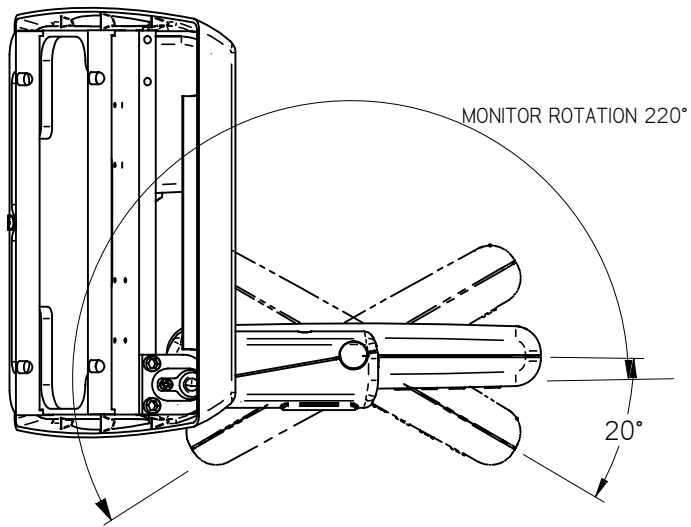
A - SEE
SHEET 4



THE INFORMATION CONTAINED HEREIN IS PROPRIETARY TO ROSEN AVIATION, LLC. IT SHALL NOT BE REPRODUCED OR DISCLOSED IN WHOLE OR IN PART OR USED FOR ANY DESIGN OR MANUFACTURE EXCEPT WHEN SUCH USER POSSESSES DIRECT, WRITTEN AUTHORIZATION FROM ROSEN AVIATION. THIS DRAWING MAY BE COVERED UNDER ONE OR MORE U.S. OR INTERNATIONAL PATENTS. PLEASE CONTACT ROSEN AVIATION FOR SPECIFIC INFORMATION.

<b style="font-size: 1.2em;">ROSEN AVIATION	1020 OWEN LOOP SOUTH EUGENE, OREGON 97402 TEL: (541) 342-3802 FAX: (541) 342-4912		APPROVALS DRAWN BY CHECKER ENGINEER	INITIAL SDS JW SDS	DATE 10/10/06 10/23/06 10/23/06
	TITLE OUTLINE AND INSTALLATION LEFT, BEIGE, w / SELECT SWITCH			DWG NO 7001-103-CD	
FIRST CALLED FOR: (FCF) 7" WIDESCREEN SIDEWALL			SIZE A	REV B	SCALE 1:4 SHEET 1 OF 4

UNLESS OTHERWISE SPECIFIED DIMENSIONS ARE IN INCHES
.X = ± .05 .XX = ± .03
INTERPRET DIM AND TOL PER ASME Y14.5M - 1994



THE INFORMATION CONTAINED HEREIN IS PROPRIETARY TO ROSEN AVIATION, LLC. IT SHALL NOT BE REPRODUCED OR DISCLOSED IN WHOLE OR IN PART OR USED FOR ANY DESIGN OR MANUFACTURE EXCEPT WHEN SUCH USER POSSESSES DIRECT, WRITTEN AUTHORIZATION FROM ROSEN AVIATION, LLC. THIS DRAWING MAY BE COVERED UNDER ONE OR MORE U.S. OR INTERNATIONAL PATENTS. PLEASE CONTACT ROSEN AVIATION FOR SPECIFIC INFORMATION.

ROSEN AVIATION	1020 OWEN LOOP SOUTH EUGENE, OREGON 97402 TEL: (541) 342-3802 FAX: (541) 342-4912	SIZE A	DWG NO 7001-103-CD	REV B
		SCALE NONE	SHEET 2 OF 4	

1

2

B

B

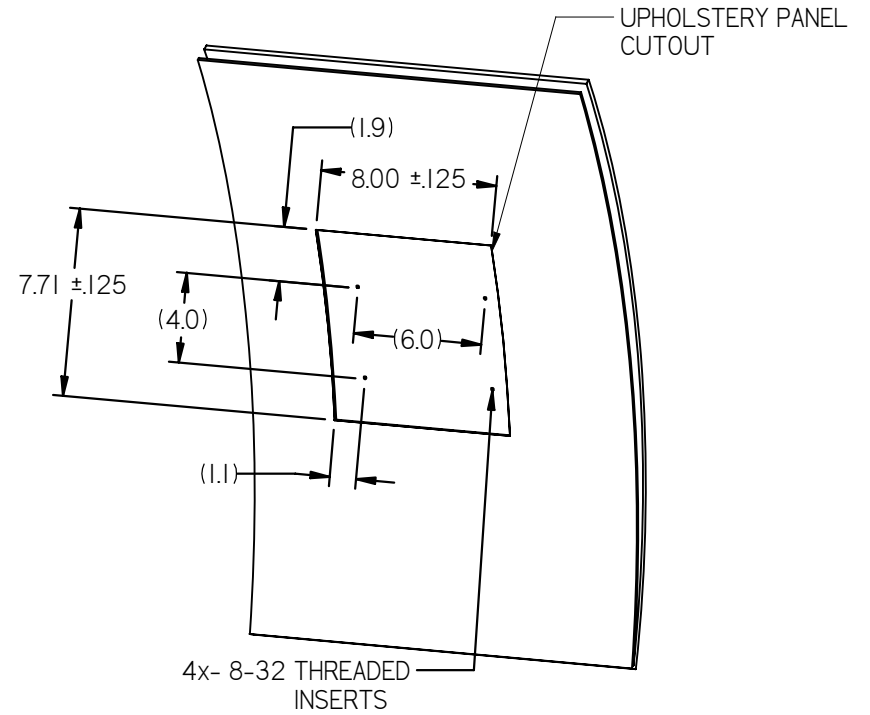
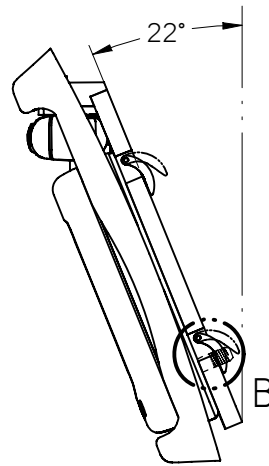
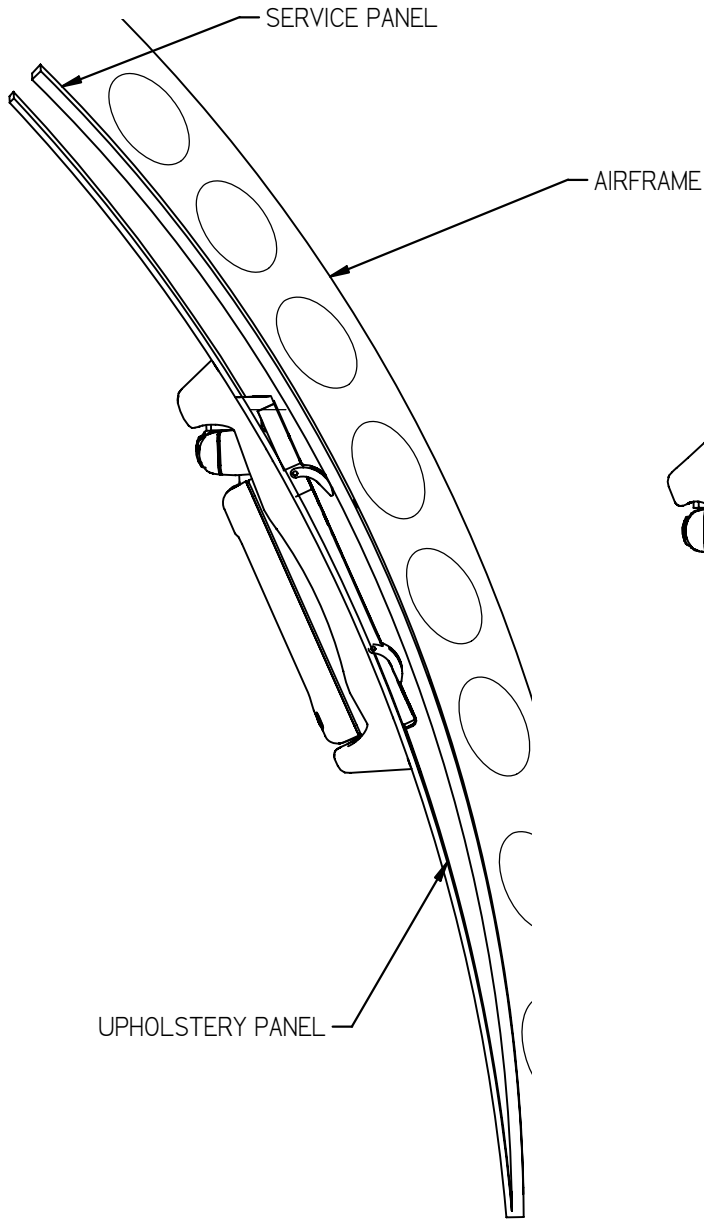
A

A

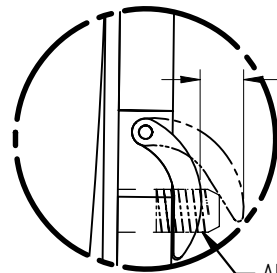
1

2

TYPICAL INSTALLATION

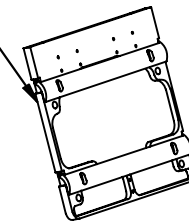


4x- 8-32 THREADED INSERTS



DETAIL B

ACCESS ADJUSTER SCREWS FROM FRONT OF MOUNTING PLATE



THE INFORMATION CONTAINED HEREIN IS PROPRIETARY TO ROSEN AVIATION, LLC. IT SHALL NOT BE REPRODUCED OR DISCLOSED IN WHOLE OR IN PART OR USED FOR ANY DESIGN OR MANUFACTURE EXCEPT WHEN SUCH USER POSSESSES DIRECT, WRITTEN AUTHORIZATION FROM ROSEN AVIATION, LLC. THIS DRAWING MAY BE COVERED UNDER ONE OR MORE U.S. OR INTERNATIONAL PATENTS. PLEASE CONTACT ROSEN AVIATION FOR SPECIFIC INFORMATION.

ROSEN
AVIATION

1020 OWEN LOOP SOUTH
EUGENE, OREGON 97402
TEL: (541) 342-3802 FAX: (541) 342-4912

SIZE	DWG NO	REV
A	7001-103-CD	B
SCALE	NONE	SHEET 3 OF 4

Performance Specifications (Reference)

LCD Performance

Screen Resolution (pixels)	480 x 234
Video Standards supported	NTSC
Display Viewing Area (in)	6.07 x 3.43
Vertical Viewing Angle	+45°(up), -60°(down)
Horizontal Viewing Angle	±60°
Contrast Ratio	60 MIN
Backlight Lamp Life	10,000 hours
Screen Brightness	350 cd/m ² typ 260 cd/m ² min

Power Requirements

Nominal Voltage	28VDC
Nominal Current	.31 A
Current Max	.40 A

Environmental Specifications

Operating Temperature	0°C - 60°C
Altitude	15,000ft
Humidity	95%RH
Vibration	1.48 grms
Power Input	DO-160D Cat AB
RF Susceptibility	DO-160D Cat TT
Emission of RF Energy	DO-160D Cat B

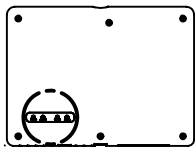
MTBF Prediction

1,785 hours

Main Connector Pinout

Connector: 5W1 COMBO-D MALE
ITT Cannon - DEMESW1PK87
Coax Contact: ITT Cannon D130322-2
Mate: 5W1 COMBO-D FEMALE
ITT Cannon - DEMM5W1S
Mating Coax Contact: ITT Cannon - D130344-1

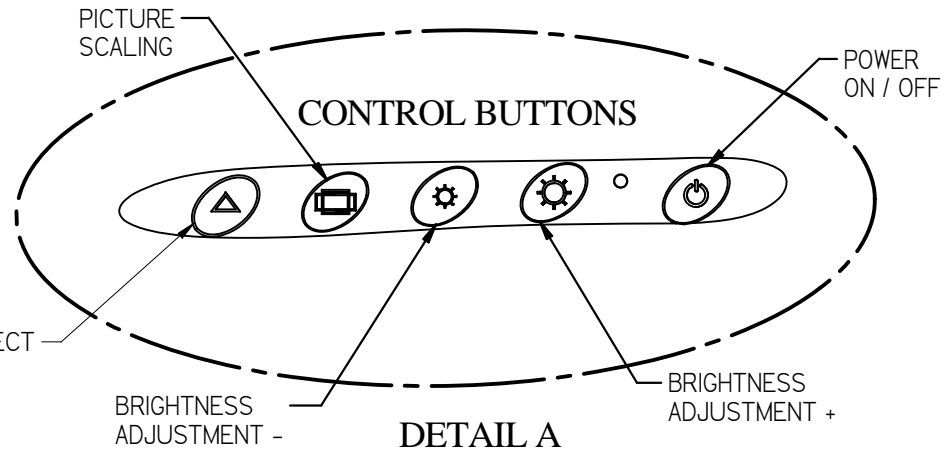
Pin #	Monitor signal
1	SELECT SWITCH RETURN
2	+28VDC
3	SELECT SWITCH
4	DC RETURN
A1 SIGNAL	VIDEO SIGNAL
A1 SHIELD	VIDEO RETURN
SHELL	CHASSIS GROUND



C - VIEW LOOKING AT MONITOR'S BACK CASE. CONTROLS LOCATED UNDER ADHESIVE COVER.



DETAIL C



THE INFORMATION CONTAINED HEREIN IS PROPRIETARY TO ROSEN AVIATION, LLC. IT SHALL NOT BE REPRODUCED OR DISCLOSED IN WHOLE OR IN PART OR USED FOR ANY DESIGN OR MANUFACTURE EXCEPT WHEN SUCH USER POSSESSES DIRECT, WRITTEN AUTHORIZATION FROM ROSEN AVIATION, LLC. THIS DRAWING MAY BE COVERED UNDER ONE OR MORE U.S. OR INTERNATIONAL PATENTS. PLEASE CONTACT ROSEN AVIATION FOR SPECIFIC INFORMATION.

ROSEN AVIATION	1020 OWEN LOOP SOUTH EUGENE, OREGON 97402 TEL: (541) 342-3802 FAX: (541) 342-4912	SIZE	DWG NO	REV
		A	7001-103-CD	B
		SCALE	NONE	SHEET 4 OF 4