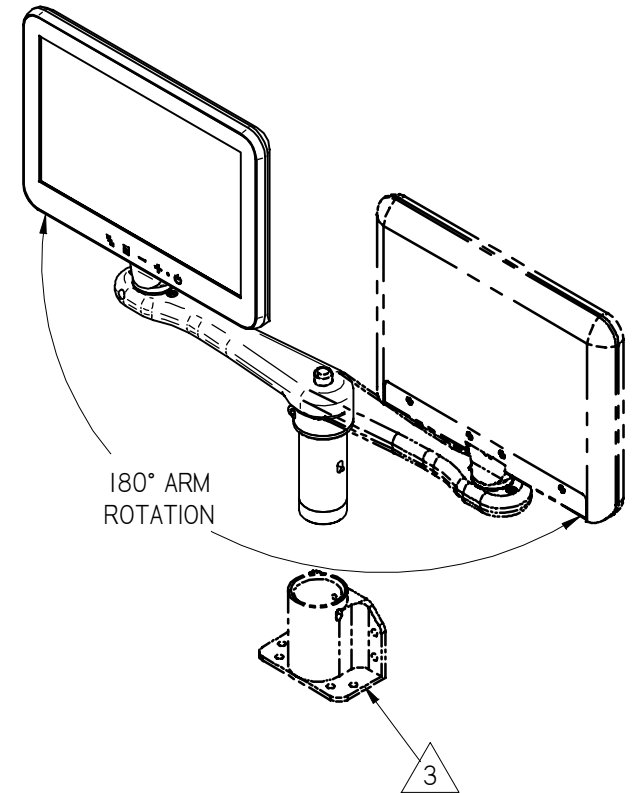
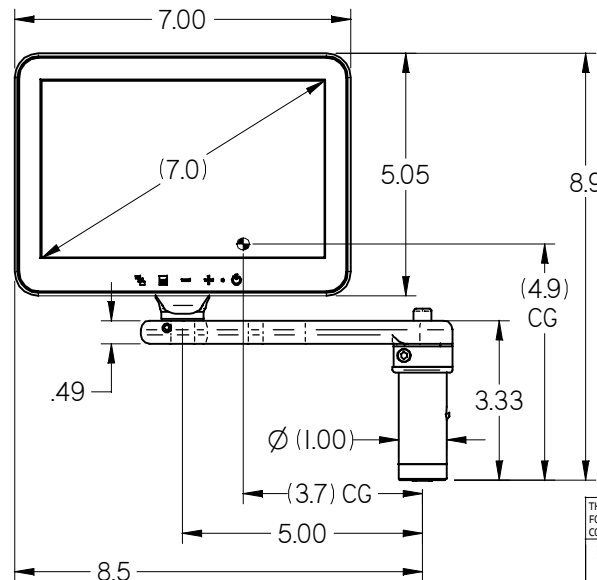
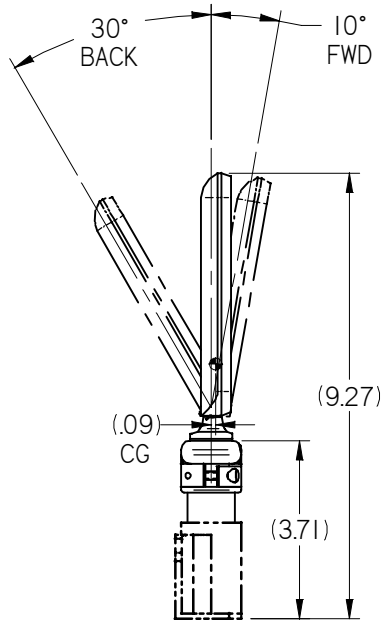
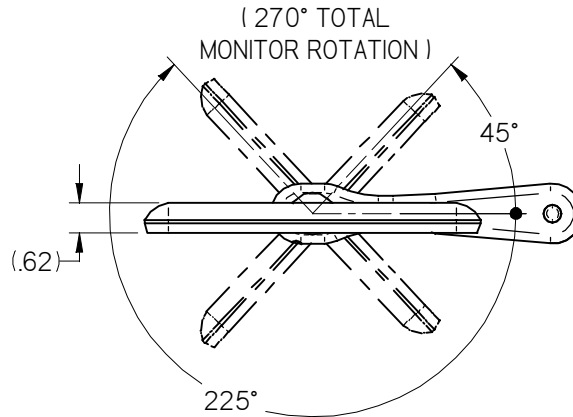


NOTES: (unless otherwise specified)

- 1. ASSEMBLY WEIGHT: 1.40 LBS. ±10%
- 2. BASE SOLD SEPARATELY
- 3. SOME MINOR PARTS, LABELS, HARNESSES AND INSTRUCTIONS OMITTED FOR CLARITY

| REVISIONS | | | | | | |
|-----------|-----|------------------------------|----------|----|---------|------|
| ZONE | REV | DESCRIPTION | DATE | BY | CHG NO | APRV |
| | 1.0 | INITIAL DRAWING RELEASE | 06/24/13 | DE | 13-096 | JC |
| | A | NO CHANGES, RELEASE TO ALPHA | 08/27/13 | DE | 13-0320 | |
| PG2 | B | UPD TO DO-160F CAT Z, CAT B | 10/18/13 | DE | 13-0383 | JC |

ELECTRONIC REVISION CONTROLLED



THE INFORMATION CONTAINED HEREIN IS PROPRIETARY TO ROSEN AVIATION, LLC. IT SHALL NOT BE REPRODUCED OR DISCLOSED IN WHOLE OR IN PART OR USED FOR ANY DESIGN OR MANUFACTURE EXCEPT WHEN SUCH USER POSSESSES DIRECT, WRITTEN AUTHORIZATION FROM ROSEN AVIATION. THIS DRAWING MAY BE COVERED UNDER ONE OR MORE U.S. OR INTERNATIONAL PATENTS, PLEASE CONTACT ROSEN AVIATION FOR SPECIFIC INFORMATION.

ROSEN AVIATION 1020 OWEN LOOP SOUTH
EUGENE, OREGON 97402
TEL: (541) 342-3802 FAX: (541) 342-4912

| APPROVALS | INITIAL | DATE |
|-----------|---------|----------|
| DRAWN BY | GJH | 10/30/12 |
| CHECKER | JC | 08/22/13 |
| ENGINEER | JC | 08/26/13 |

UNLESS OTHERWISE SPECIFIED DIMENSIONS ARE IN INCHES
 .X = ± .1
 .XX = ± .03
 R = ± 5.0°
 RADII = ± .020
 INTERPRET DIM AND TOL PER ASME Y14.5M - 1994

TITLE
**OUTLINE & INSTALLATION DRAWING,
 7" COMPOSITE, SXP5
 ARM MOUNT, CENTER
 7" WIDESCREEN**

| | |
|-----------------------|--------------|
| DWG NO 7004-013-CD | |
| SIZE A | REV B |
| SCALE N.T.S. | SHEET 1 of 2 |

REFER TO www.rosenaviation.com FOR THE LATEST REVISION INFORMATION.

PERFORMANCE SPECIFICATIONS (REF)

| LCD Performance * | |
|-----------------------------|-----------------------|
| Screen Resolution (pixels) | 1280 x 800 |
| Display Viewing Area (mm) | 149.76mm X 93.60mm |
| Horizontal Viewing Angle | ±80° |
| Vertical Viewing Angle | ±80° |
| Contrast Ratio (Typical) | 800:1 |
| Screen Brightness (Typical) | 400 cd/m ² |

| Power Requirements** | |
|--------------------------|----------------------------|
| Nominal Voltage/Current | 28VDC/0.30A |
| Inrush Current | 20A For 250 uS |
| Op Voltage/Current Range | 18VDC/0.45A 32VDC/0.27A |
| Power Consumption | 8.6 W Max |

| Environmental Specifications | |
|--------------------------------|---------------|
| Operating Temperature | 0°C - 55°C |
| Altitude | 15,000ft |
| Humidity | 95%RH |
| Vibration | 1.48 grms |
| Power Input | DO-160F Cat Z |
| Radio Frequency Susceptibility | DO-160F Cat T |
| Emission of RF Energy | DO-160F Cat B |

* LCD Manufacturers Specification Information

Base Receptacle Pinout - DB9

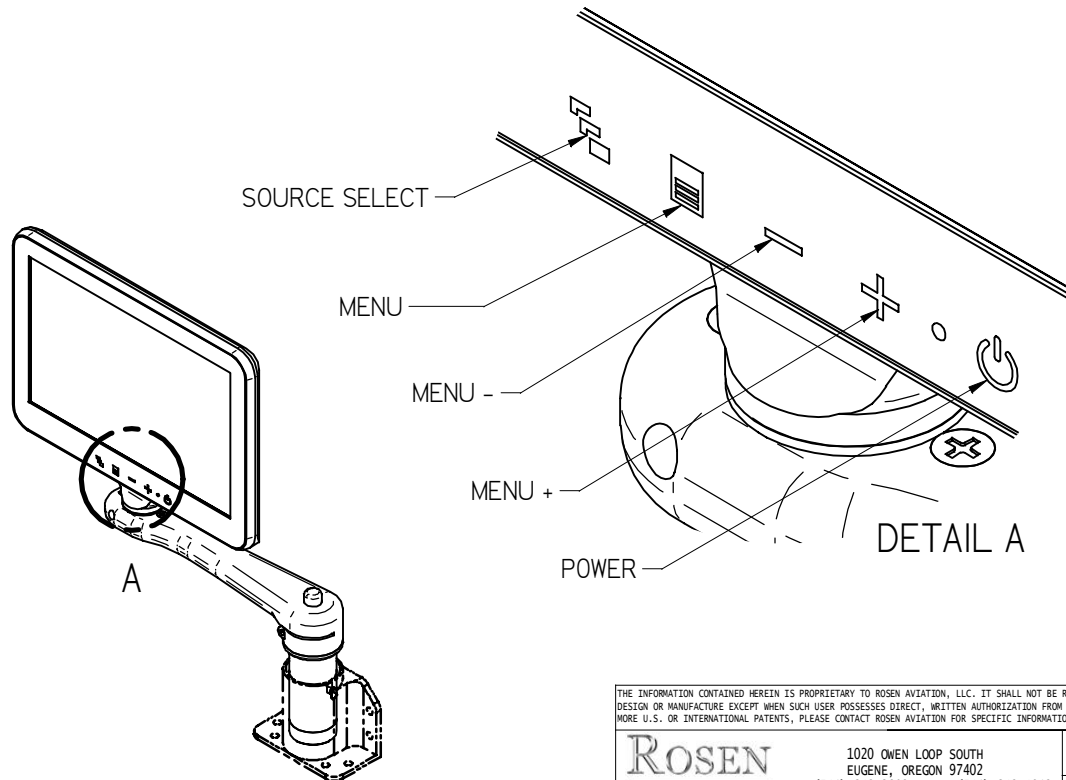
| Slimline Base Receptacle Model 0100-002 & 0100-004 | |
|---|---|
| Connector: | 9 Pin Male D-Subminiature Positronic SD9M0000Z |
| Mate: | 9 Pin Female D-Subminiature Positronic SD9F0000X |

| Pin # | Monitor signal |
|-------|----------------------|
| 1 | Chassis Ground |
| 2 | +28V DC |
| 3 | DC Return |
| 4 | Select Switch |
| 5 | Select Switch Return |
| 6 | Reserved |
| 7 | Video Signal Input |
| 8 | Video Ground |
| 9 | Reserved |

Base Receptacle Pinout

| Slimline Base Receptacle Model 0100-005 | |
|--|-------------------------|
| Video Connector: | BNC Jack, AMP 5221199-5 |
| Power Connector: | Male 3 pin, .062" Molex |
| Mating Video Connector: | BNC Plug |
| Mating Power Connector: | Molex 03-06-1038 |
| Mating Power Contact: | Molex 02-06-1103 |

| Pin # | Monitor signal |
|------------|----------------|
| BNC signal | Video Signal |
| BNC shield | Video Return |
| Molex 1 | DC + 28VDC |
| Molex 2 | DC Return |
| Molex 3 | Reserved |



THE INFORMATION CONTAINED HEREIN IS PROPRIETARY TO ROSEN AVIATION, LLC. IT SHALL NOT BE REPRODUCED OR DISCLOSED IN WHOLE OR IN PART OR USED FOR ANY DESIGN OR MANUFACTURE EXCEPT WHEN SUCH USER POSSESSES DIRECT, WRITTEN AUTHORIZATION FROM ROSEN AVIATION, LLC. THIS DRAWING MAY BE COVERED UNDER ONE OR MORE U.S. OR INTERNATIONAL PATENTS, PLEASE CONTACT ROSEN AVIATION FOR SPECIFIC INFORMATION.

| | | | | |
|-----------------------|---|--------------|-----------------------|----------|
| ROSEN AVIATION | 1020 OWEN LOOP SOUTH EUGENE, OREGON 97402 TEL: (541) 342-3802 FAX: (541) 342-4912 | SIZE A | DWG NO 7004-013-CD | REV B |
| | SCALE NONE | SHEET 2 of 2 | | |