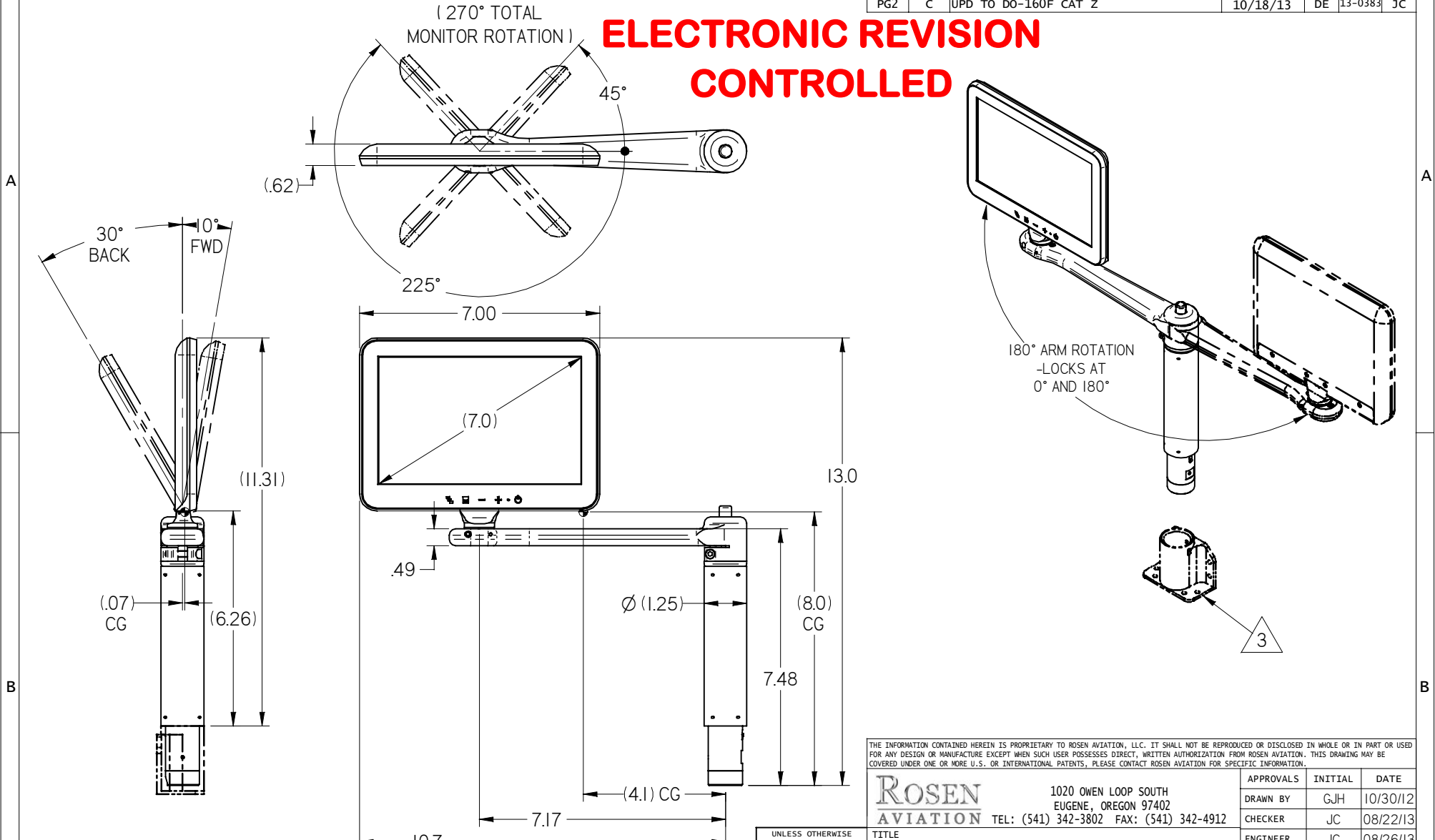


NOTES: (unless otherwise specified)

1. ASSEMBLY WEIGHT: 1.92 LBS. ±10%
2. BASE SOLD SEPARATELY
3. SOME MINOR PARTS, LABELS, HARNESSES AND INSTRUCTIONS OMITTED FOR CLARITY

REVISIONS						
ZONE	REV	DESCRIPTION	DATE	BY	CHG NO	APRV
	1.0	INITIAL DRAWING RELEASE	06/24/13	DE	13-096	JC
	A	NO CHANGES, RELEASE TO ALPHA	08/27/13	DE	13-0320	
PG2	B	CLARIFIED TESTED BASES	09/16/13	DE	13-0347	JC
PG2	C	UPD TO DO-160F CAT Z	10/18/13	DE	13-0383	JC

ELECTRONIC REVISION CONTROLLED



THE INFORMATION CONTAINED HEREIN IS PROPRIETARY TO ROSEN AVIATION, LLC. IT SHALL NOT BE REPRODUCED OR DISCLOSED IN WHOLE OR IN PART OR USED FOR ANY DESIGN OR MANUFACTURE EXCEPT WHEN SUCH USER POSSESSES DIRECT, WRITTEN AUTHORIZATION FROM ROSEN AVIATION. THIS DRAWING MAY BE COVERED UNDER ONE OR MORE U.S. OR INTERNATIONAL PATENTS, PLEASE CONTACT ROSEN AVIATION FOR SPECIFIC INFORMATION.

Rosen Aviation 1020 OWEN LOOP SOUTH EUGENE, OREGON 97402 TEL: (541) 342-3802 FAX: (541) 342-4912		APPROVALS	INITIAL	DATE
		DRAWN BY	GJH	10/30/12
TITLE OUTLINE & INSTALLATION DRAWING, 7" COMPOSITE, PCR5 ARM MOUNT FIRST CALLED FOR: (FCF) 7" WIDESCREEN		CHECKER	JC	08/22/13
		ENGINEER	JC	08/26/13
DWG NO 7004-037-CD		SIZE	A	REV
				C
		SCALE	N.T.S.	SHEET 1 of 2

UNLESS OTHERWISE SPECIFIED DIMENSIONS ARE IN INCHES
 .X = ± .1
 .XX = ± .03
 ⌀ = ± 5.0°
 RADI = ± .020
 INTERPRET DIM AND TOL PER ASME Y14.5M - 1994

REFER TO www.rosenaviation.com FOR THE LATEST REVISION INFORMATION.

PERFORMANCE SPECIFICATIONS (REF)

LCD Performance *

Screen Resolution (pixels)	1280 x 800
Display Viewing Area (mm)	149.76mm X 93.60mm
Horizontal Viewing Angle	±80°
Vertical Viewing Angle	±80°
Contrast Ratio (Typical)	800:1
Screen Brightness (Typical)	400 cd/m²

Power Requirements**

Nominal Voltage/Current	28VDC/0.30A
Inrush Current	20A For 250 uS
Op Voltage/Current Range	18VDC/0.45A 32VDC/0.27A
Power Consumption	8.6 W Max

Environmental Specifications

Operating Temperature	0°C - 55°C
Altitude	15,000ft
Humidity	95%RH
Vibration	1.48 grms
Power Input	DO-160F Cat Z
Radio Frequency Susceptibility	DO-160F Cat T
Emission of RF Energy	DO-160F Cat M

* LCD Manufacturers Specification Information

Base Receptacle Pinout - DB9

**Slimline Base Receptacle
Model 0100-041, -042**

Connector: 9 Pin Male D-Subminiature
Positronic SD9M0000Z

Mate: 9 Pin Female D-Subminiature
Positronic SD9F0000X

Pin #	Monitor signal
1	Reserved
2	+28V DC
3	DC Return
4	Select Switch
5	Select Switch Return
6	Reserved
7	Video Signal Input
8	Video Ground
9	Reserved

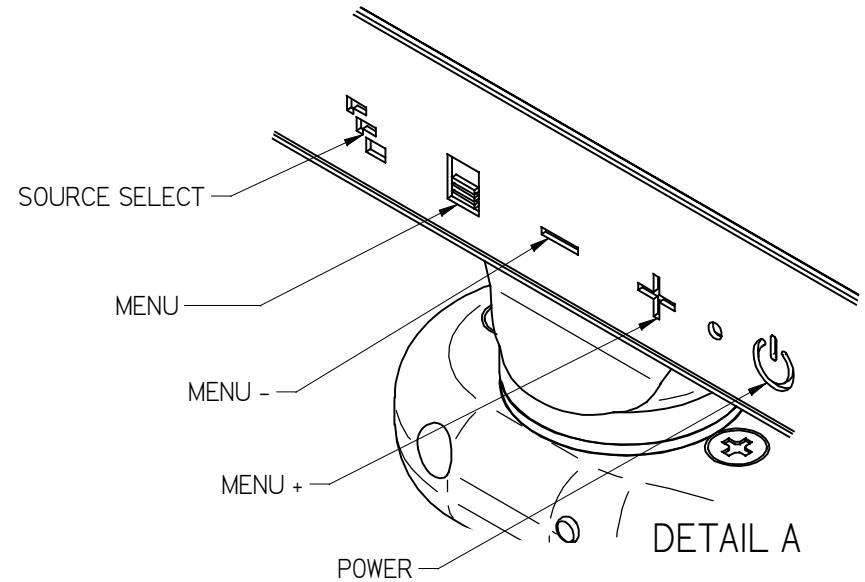
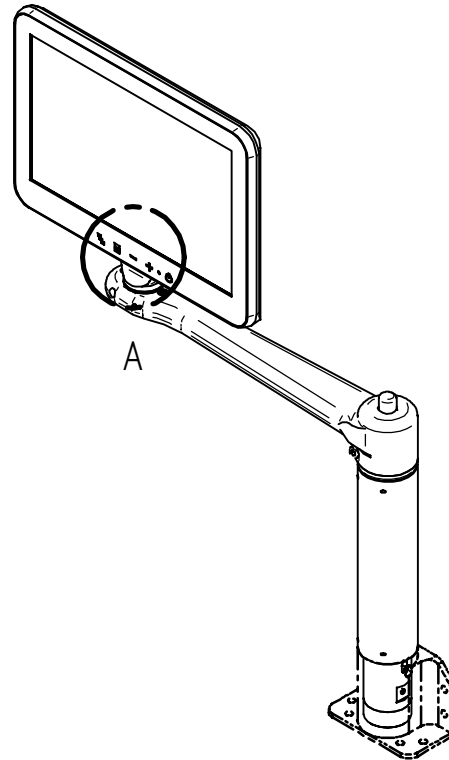
Base Receptacle Pinout - BNC/Molex

**Slimline Base Receptacle
Model 0100-040**

Video Connector: BNC Jack, (AMP 221199-5)
Power Connector: Female 3 pin, .062" Molex

Mating Video Connector: BNC Plug
Mating Power Connector: Molex 03-06-2033
Mating Power Contact: Molex 02-06-2103

Pin #	Monitor signal
BNC signal	Video Signal
BNC shield	Video Return
Molex 1	+28V DC
Molex 2	DC Return
Molex 3	Reserved



THE INFORMATION CONTAINED HEREIN IS PROPRIETARY TO ROSEN AVIATION, LLC. IT SHALL NOT BE REPRODUCED OR DISCLOSED IN WHOLE OR IN PART OR USED FOR ANY DESIGN OR MANUFACTURE EXCEPT WHEN SUCH USER POSSESSES DIRECT, WRITTEN AUTHORIZATION FROM ROSEN AVIATION, LLC. THIS DRAWING MAY BE COVERED UNDER ONE OR MORE U.S. OR INTERNATIONAL PATENTS, PLEASE CONTACT ROSEN AVIATION FOR SPECIFIC INFORMATION.

**ROSEN
AVIATION**

1020 OWEN LOOP SOUTH
EUGENE, OREGON 97402
TEL: (541) 342-3802 FAX: (541) 342-4912

SIZE	DWG NO	REV
A	7004-037-CD	C
SCALE	NONE	SHEET 2 of 2