

NOTES: (UNLESS OTHERWISE SPECIFIED)

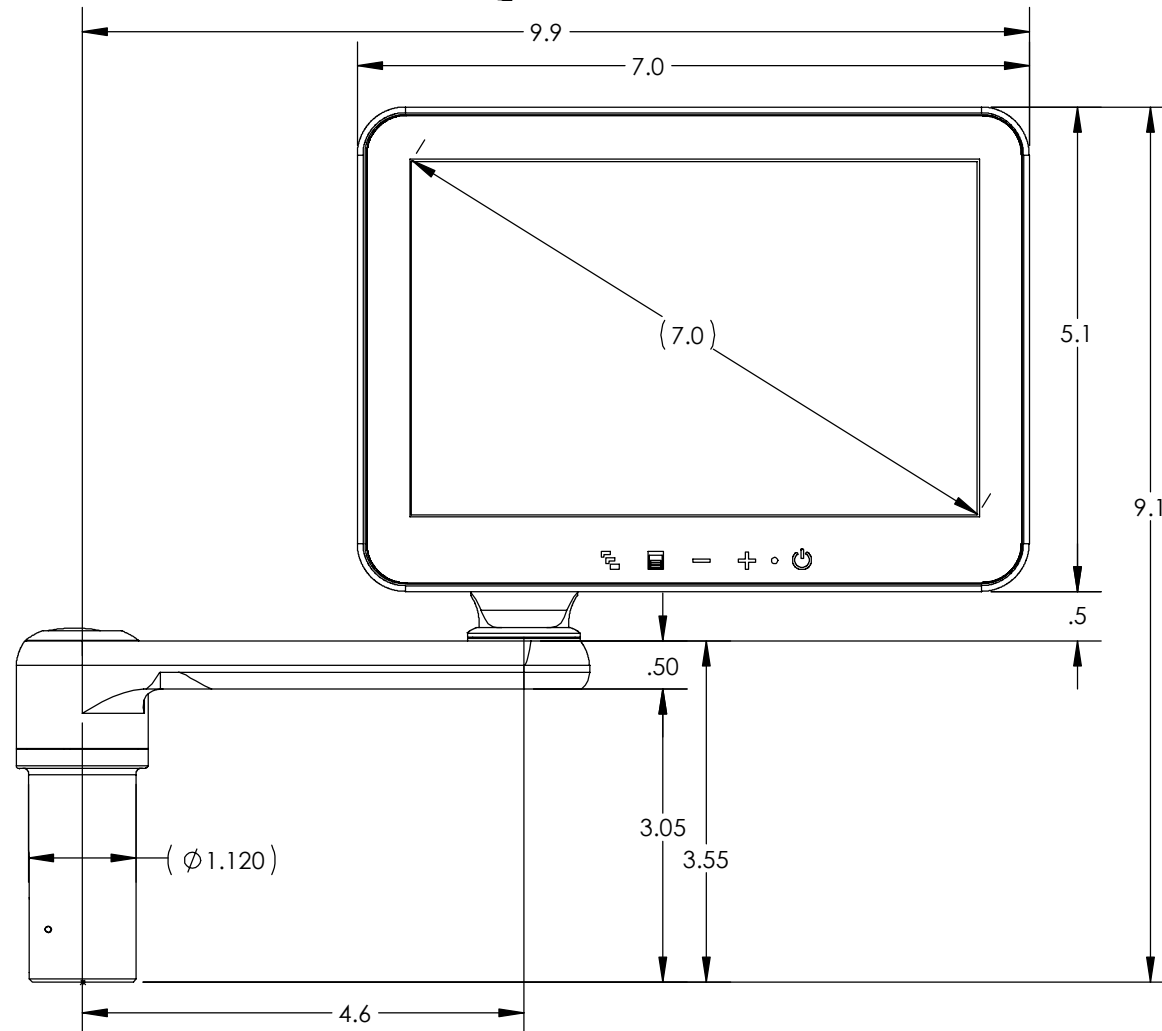
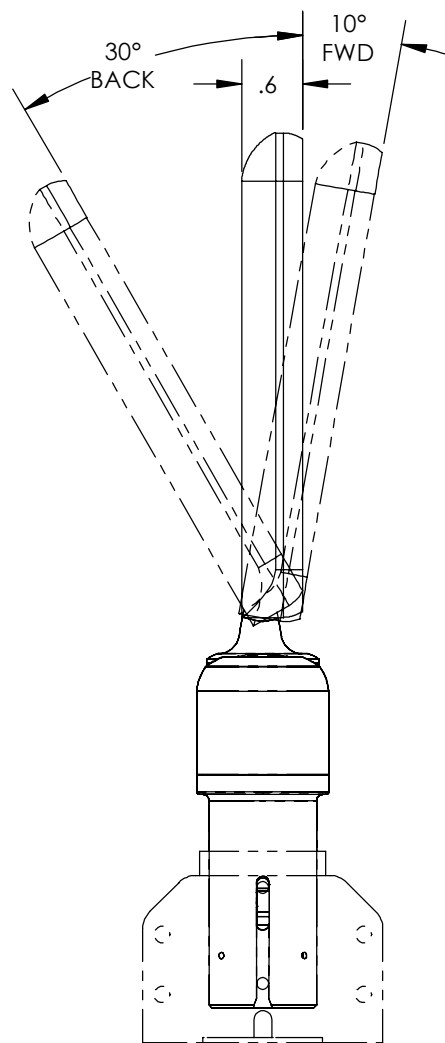
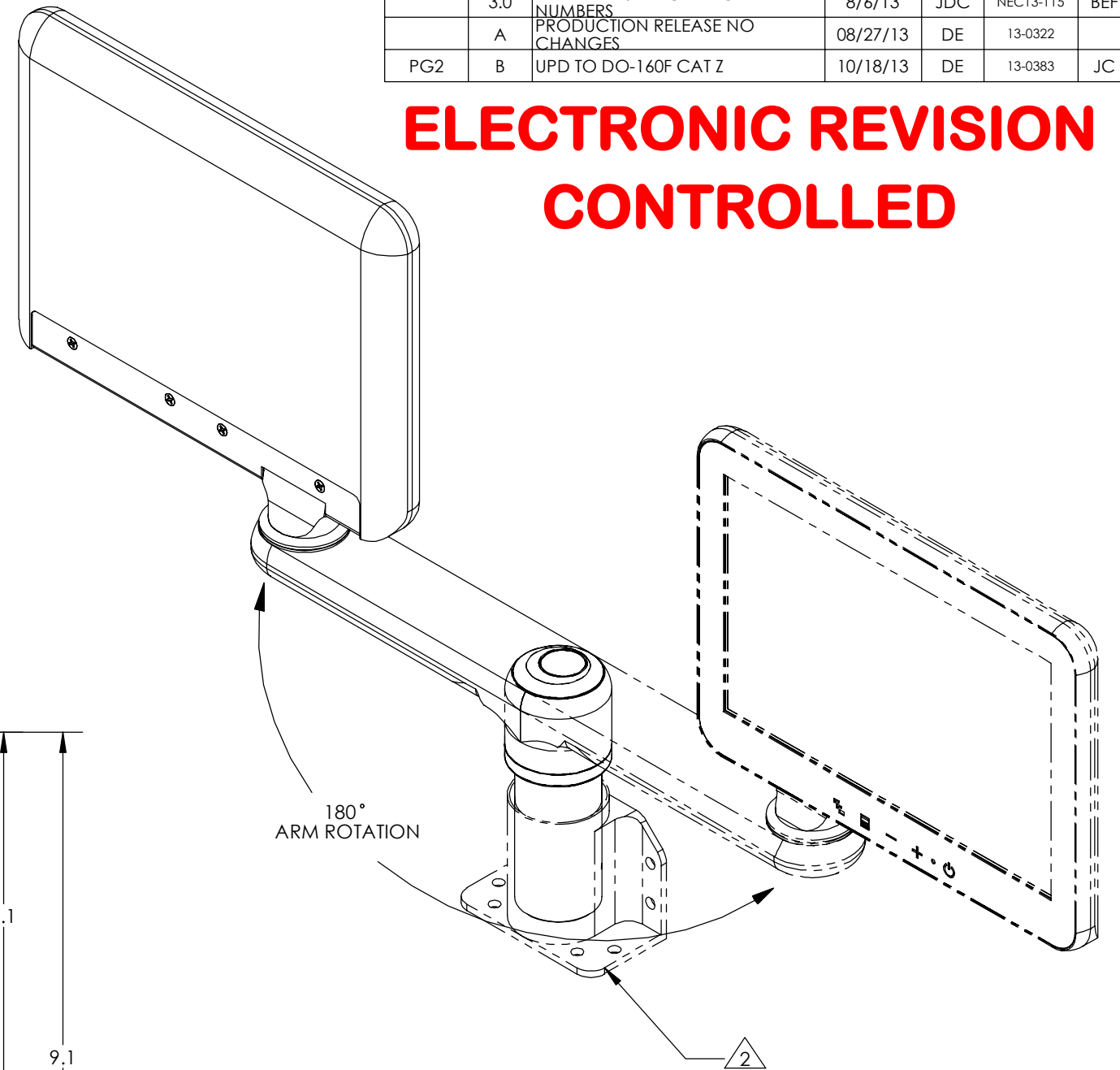
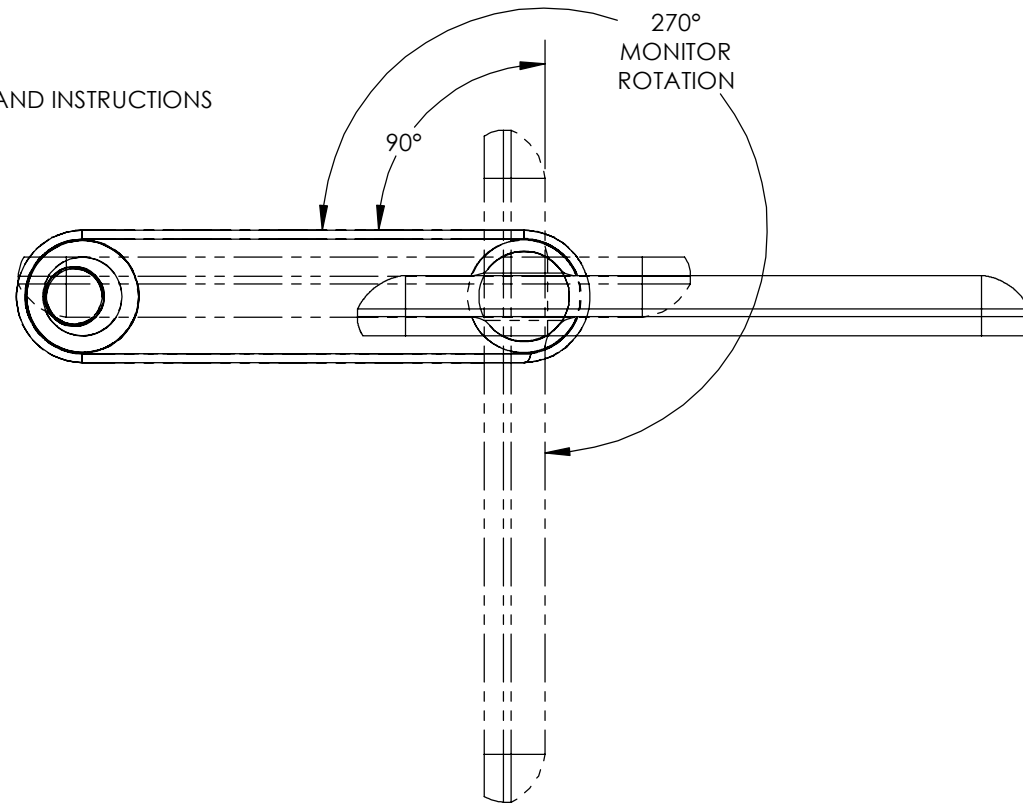
1. ASSEMBLY WEIGHT: 1.54 LBS. ±10%

2. BASE SOLD SEPARATELY

3. SOME MINOR PARTS, LABELS, HARNESSES AND INSTRUCTIONS OMITTED FOR CLARITY

REVISIONS						
ZONE	REV	DESCRIPTION	DATE	BY	EC NO.	APRV
	3.0	ADDED BASE RECEPTACLE PART NUMBERS	8/6/13	JDC	NEC13-115	BEF
	A	PRODUCTION RELEASE NO CHANGES	08/27/13	DE	13-0322	
PG2	B	UPD TO DO-160F CAT Z	10/18/13	DE	13-0383	JC

ELECTRONIC REVISION CONTROLLED



THE INFORMATION CONTAINED HEREIN IS PROPRIETARY TO ROSEN AVIATION, LLC. IT SHALL NOT BE REPRODUCED OR DISCLOSED IN WHOLE OR IN PART OR USED FOR ANY DESIGN OR MANUFACTURE EXCEPT WHEN SUCH USER POSSESSES DIRECT, WRITTEN AUTHORIZATION FROM ROSEN AVIATION, LLC. THIS DRAWING MAY BE COVERED UNDER ONE OR MORE U.S. OR INTERNATIONAL PATENTS, PLEASE CONTACT ROSEN AVIATION FOR SPECIFIC INFORMATION.

ROSEN AVIATION		1020 OWEN LOOP SOUTH EUGENE, OREGON 97402 TEL: (541) 342-3802 FAX: (541) 342-4912		APPROVALS	INITIAL	DATE
				DRAWN BY	BEF	03/27/13
				CHECKER	DE	08/27/13
				ENGINEER	JC	08/27/13
				7004-362-CD		
				SIZE		REV
				B		B,
				SCALE: 1:2		SHEET 1 OF 2

UNLESS OTHERWISE SPECIFIED DIMENSIONS ARE IN INCHES
 .X = ± .1
 .XX = ± .03
 ∠ = ± 5.0°
 RADII ± .020
 INTERPRET DIM AND TOL PER ASME Y14.5M - 1994

TITLE
OUTLINE & INSTALLATION DRAWING, 7" SDI/RS232, SLA ARM MOUNT, LEFT, SS
 FIRST CALLED FOR: (FCF)
7in Plug-in - 287

PERFORMANCE SPECIFICATIONS (REF)

LCD Performance *	
Screen Resolution (pixels)	1280 x 800
Display View ing Area (mm)	149.76mm X 93.60mm
Horizontal View ing Angle	±80°
Vertical View ing Angle	±80°
Contrast Ratio (Typical)	800:1
Screen Brightness (Typical)	400 cd/m ²

Power Requirements**

Nominal Voltage/Current	28VDC/0.30A
Inrush Current	20A For 250 uS
Op Voltage/Current Range	18VDC/0.45A 32VDC/0.27A
Power Consumption	8.6 W Max

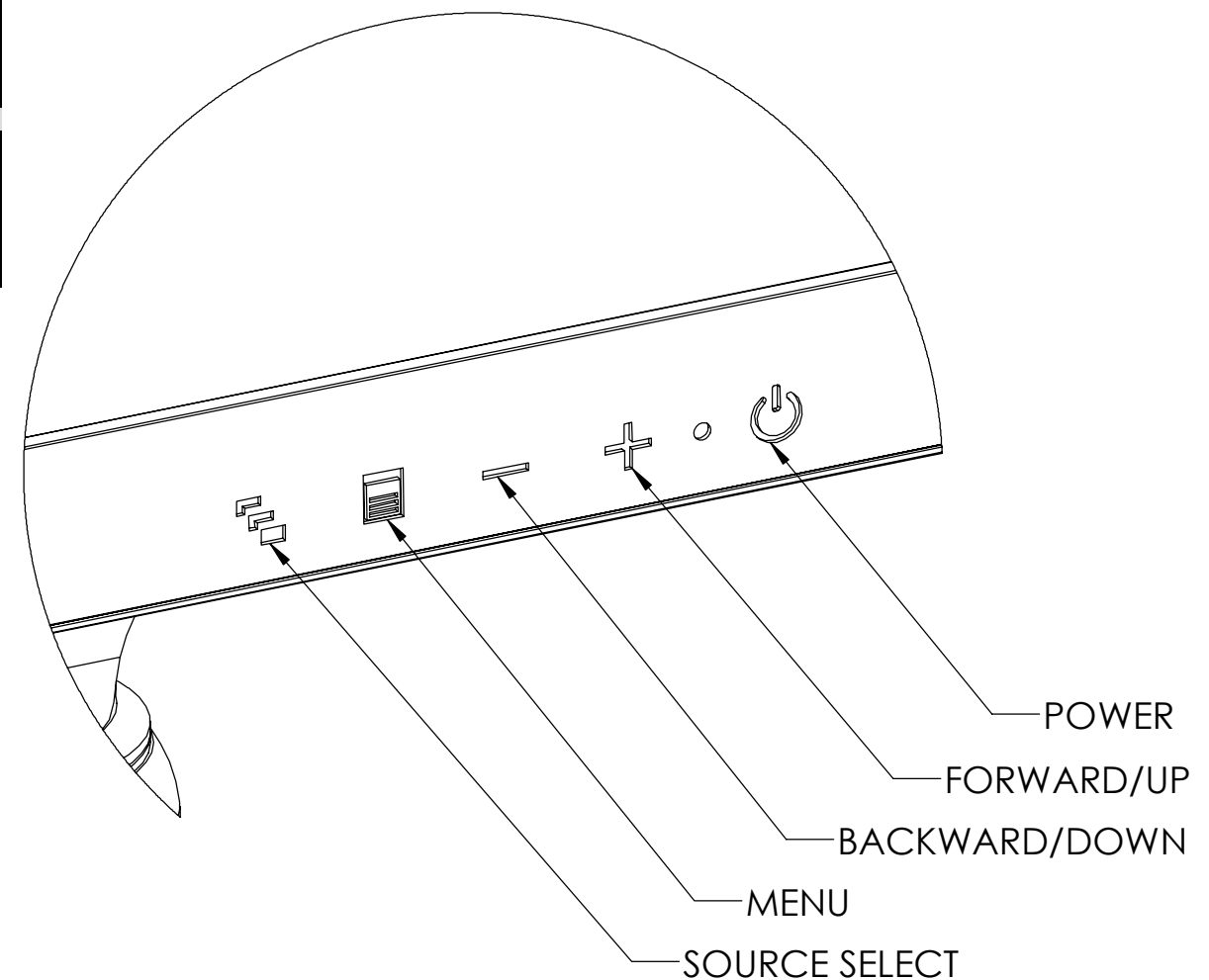
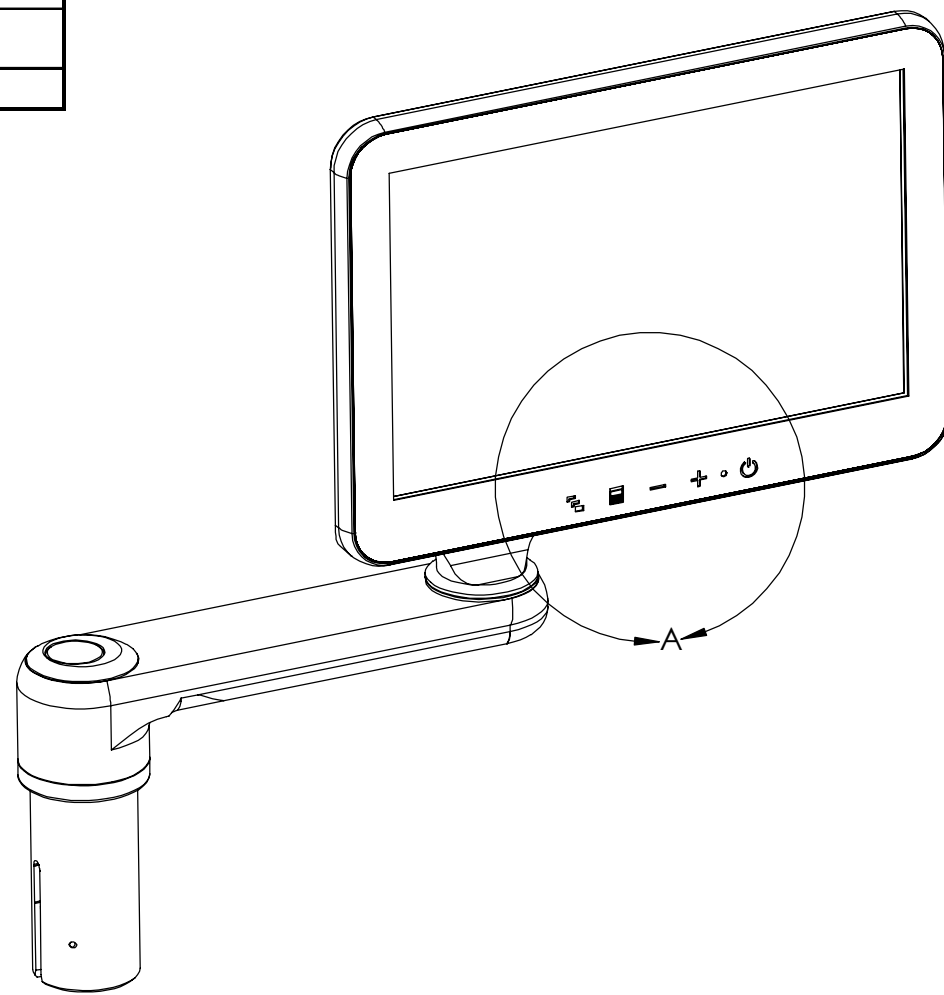
Environmental Specifications

Operating Temperature	0°C - 55°C
Altitude	15,000ft
Humidity	95%RH
Vibration	1.48 grms
Power Input	DO-160F Cat Z
Radio Frequency Susceptibility	DO-160F Cat T
Emission of RF Energy	DO-160F Cat M

* LCD Manufacturers Specification Information

BASE RECEPTACLES

0100-344 Base Receptacle		0100-342 Base Receptacle	
CONNECTOR : 9-pin Male Dsub		CONNECTOR : 9-pin Male Dsub	
Mating connector: 9-Pin Female Dsub (0300-022, Not Included)		Mating connector: 9-Pin Female Dsub (0300-022, Not Included)	
Dsub Pin #	Function	Dsub Pin #	Function
1	Chassis Ground	1	Chassis Ground
2	28 VDC	2	28 VDC
3	DC Return	3	DC Return
4	Source Select 1	4	N / C
5	Source Select 2	5	N / C
6	RS232 RX	6	RS232 RX
7	RS232 TX	7	RS232 TX
8	RS232 GND	8	RS232 GND
9	N / C	9	N / C
CONNECTOR: 4 Ghz 75 OHM BNC PLUG MATE: 4 Ghz 75 OHM BNC JACK		CONNECTOR: 4 Ghz 75 OHM BNC PLUG MATE: 4 Ghz 75 OHM BNC JACK	
BNC PIN	SDI VIDEO	BNC PIN	SDI VIDEO
BNC SHIELD	SDI RETURN	BNC SHIELD	SDI RETURN



DETAIL A
SCALE 1.5 : 1

THE INFORMATION CONTAINED HEREIN IS PROPRIETARY TO ROSEN AVIATION, LLC. IT SHALL NOT BE REPRODUCED OR DISCLOSED IN WHOLE OR IN PART OR USED FOR ANY DESIGN OR MANUFACTURE EXCEPT WHEN SUCH USER POSSESSES DIRECT, WRITTEN AUTHORIZATION FROM ROSEN AVIATION, LLC. THIS DRAWING MAY BE COVERED UNDER ONE OR MORE U.S. OR INTERNATIONAL PATENTS, PLEASE CONTACT ROSEN AVIATION FOR SPECIFIC INFORMATION.

ROSEN AVIATION

1020 OWEN LOOP SOUTH
EUGENE, OREGON 97402
TEL: (541) 342-3802 FAX: (541) 342-4912

SIZE	B	7004-362-CD	REV	B,
SCALE:	1:1	SHEET 2 OF 2		