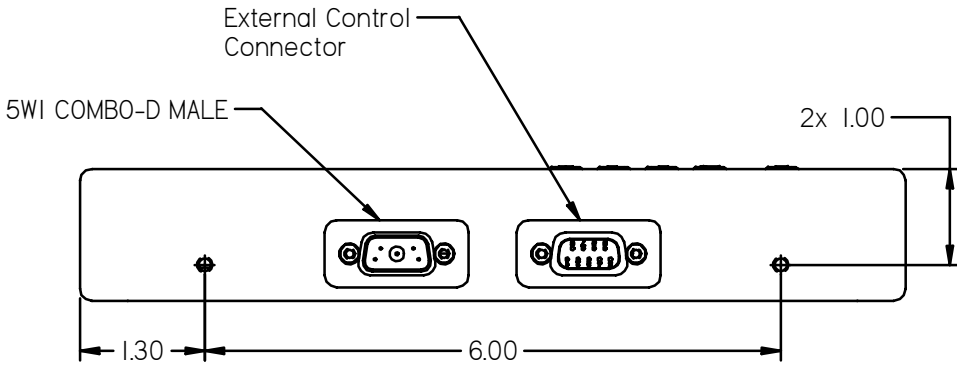
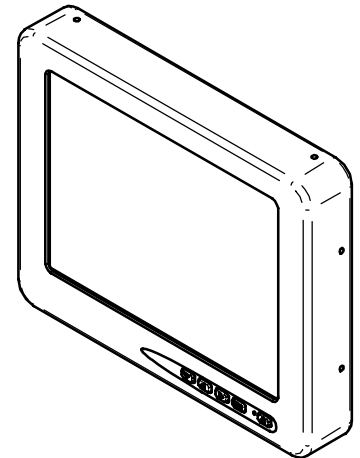
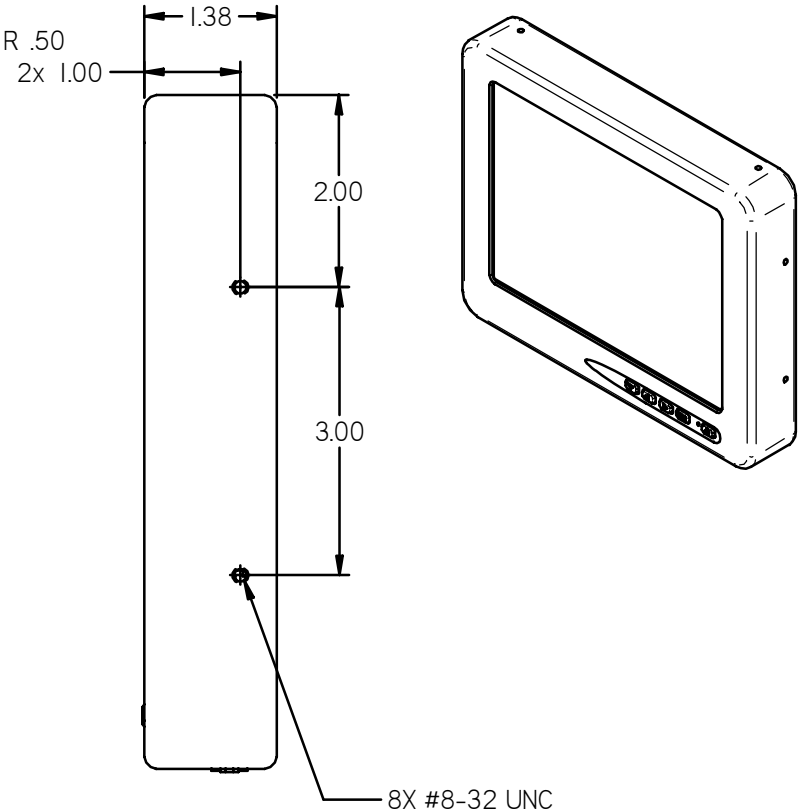
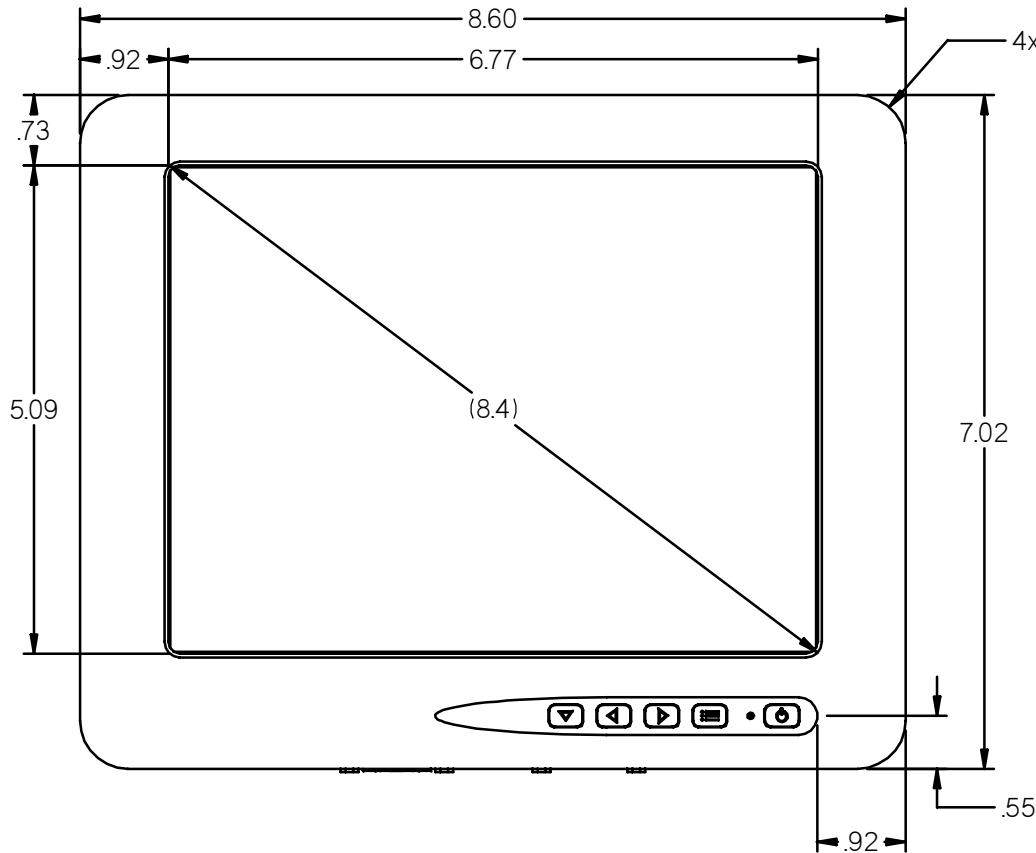


NOTES: (unless otherwise specified)

1. COMPONENT WEIGHT: 2.9 LBS ± 10%
2. IN AN INSULATED INSTALLATION AT MAX RATE AMBIENT TEMPERATURE (40°C) THE CASE TEMPERATURE CAN BE EXPECTED TO REACH 65°C
3. SELECT SWITCH PINS 4 & 5 NORMALLY OPEN, CLOSE FOR 200mS WHEN CHANNEL SELECT BUTTON DEPRESSED

2 REVISIONS						
ZONE	REV	DESCRIPTION	DATE	BY	CHG NO	APRV
	A	INITIAL DRAWING RELEASE	12/03/09	GJH	EC08541	



**ELECTRONIC REVISION CONTROLLED**

THE INFORMATION CONTAINED HEREIN IS PROPRIETARY TO ROSEN AVIATION, LLC. IT SHALL NOT BE REPRODUCED OR DISCLOSED IN WHOLE OR IN PART OR USED FOR ANY DESIGN OR MANUFACTURE EXCEPT WHEN SUCH USER POSSESSES DIRECT, WRITTEN AUTHORIZATION FROM ROSEN AVIATION. THIS DRAWING MAY BE COVERED UNDER ONE OR MORE U.S. OR INTERNATIONAL PATENTS. PLEASE CONTACT ROSEN AVIATION FOR SPECIFIC INFORMATION.

	1020 OWEN LOOP SOUTH EUGENE, OREGON 97402 TEL: (541) 342-3802 FAX: (541) 342-4912		APPROVALS	INITIAL	DATE
			DRAWN BY	GJH	01/05/09
			CHECKER	DRF	02/23/09
			ENGINEER	SC	07/15/09
TITLE <b>OUTLINE &amp; INSTALLATION DRAWING,          8.4" MONITOR,          BULKHEAD MOUNT</b>			DWG NO 8403-001-CD		
FIRST CALLED FOR: (FCF)			SIZE A		REV A
			SCALE 1:2	SHEET	1 OF 2

UNLESS OTHERWISE SPECIFIED DIMENSIONS ARE IN INCHES  
 .X = ± .1  
 .XX = ± .03  
 ∑ = ± 5.0°  
 RADI = ± .020  
 INTERPRET DIM AND TOL PER ASME Y14.5M - 1994

**PERFORMANCE SPECIFICATIONS (REF)**

**LCD Performance**

Screen Resolution (pixels)	640 x 480
Video Standards supported	NTSC, PAL, SECAM
Display Viewing Area (in)	6.73 x 5.05
Vertical Viewing Angle (CR>10)	+40°(up), -70°(down)
Horizontal Viewing Angle (CR>10)	±55°
Response Time	10 ms (typ)
Contrast Ratio	500:1
Screen Brightness	450 cd/m <sup>2</sup> typ 360 cd/m <sup>2</sup> min

**Power Requirements**

Nominal Voltage/Current	28VDC/350ma
Inrush Current	26A for 200µsec
Op Voltage Range	18-32VDC
Maximum Current Draw	550ma
Power Consumption	9.9W Max

**Environmental Specifications**

Operating Temperature	
Insulated Installation	0°C - 40°C
Free Air Installation	0°C - 50°C
Altitude	15,000ft
Humidity	95%RH
Vibration	1.48 grms
Power Input	DO-160D Cat AB
RF Susceptibility	DO-160D Cat T
Emission of RF Energy	DO-160D Cat B

**MTBF Prediction**

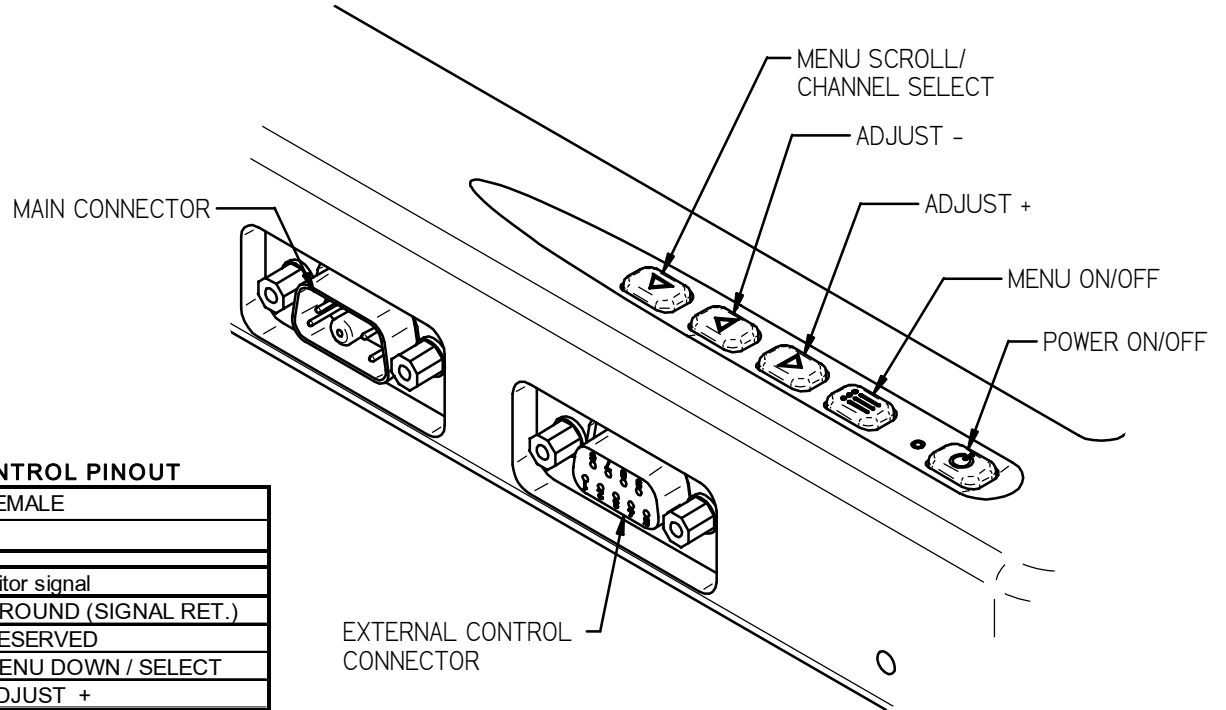
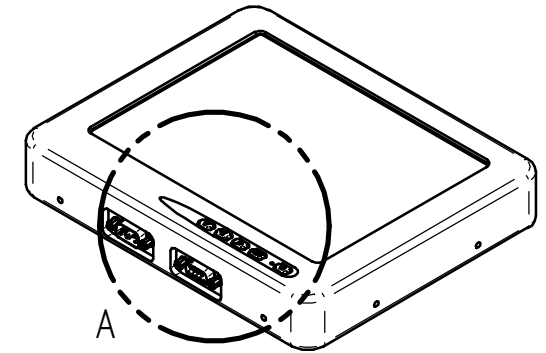
3,495 Hours

**MAIN CONNECTOR PINOUT**

Connector: 5W1 COMBO-D MALE	
Mate: 5W1 COMBO-D FEMALE	
ROSEN CONNECTOR KIT : 0300-024	
Pin #	Monitor signal
1	SELECT SWITCH RETURN
2	+28VDC
3	SELECT SWITCH
4	DC RETURN
A1 SIGNAL	VIDEO SIGNAL
A1 SHIELD	VIDEO RETURN
SHELL	CHASSIS GROUND

**EXTERNAL CONTROL PINOUT**

Connector: DB9 FEMALE	
Mate: DB9 MALE	
Pin #	Monitor signal
1	GROUND (SIGNAL RET.)
2	RESERVED
3	MENU DOWN / SELECT
4	ADJUST +
5	POWER ON/OFF
6	RESERVED
7	RESERVED
8	ADJUST -
9	MENU ON/OFF



DETAIL A

THE INFORMATION CONTAINED HEREIN IS PROPRIETARY TO ROSEN AVIATION, LLC. IT SHALL NOT BE REPRODUCED OR DISCLOSED IN WHOLE OR IN PART OR USED FOR ANY DESIGN OR MANUFACTURE EXCEPT WHEN SUCH USER POSSESSES DIRECT, WRITTEN AUTHORIZATION FROM ROSEN AVIATION, LLC. THIS DRAWING MAY BE COVERED UNDER ONE OR MORE U.S. OR INTERNATIONAL PATENTS. PLEASE CONTACT ROSEN AVIATION FOR SPECIFIC INFORMATION.

<b>ROSEN AVIATION</b>	1020 OWEN LOOP SOUTH EUGENE, OREGON 97402 TEL: (541) 342-3802 FAX: (541) 342-4912	SIZE DWG NO A 8403-001-CD	REV A
	SCALE NONE	SHEET 2 OF 2	