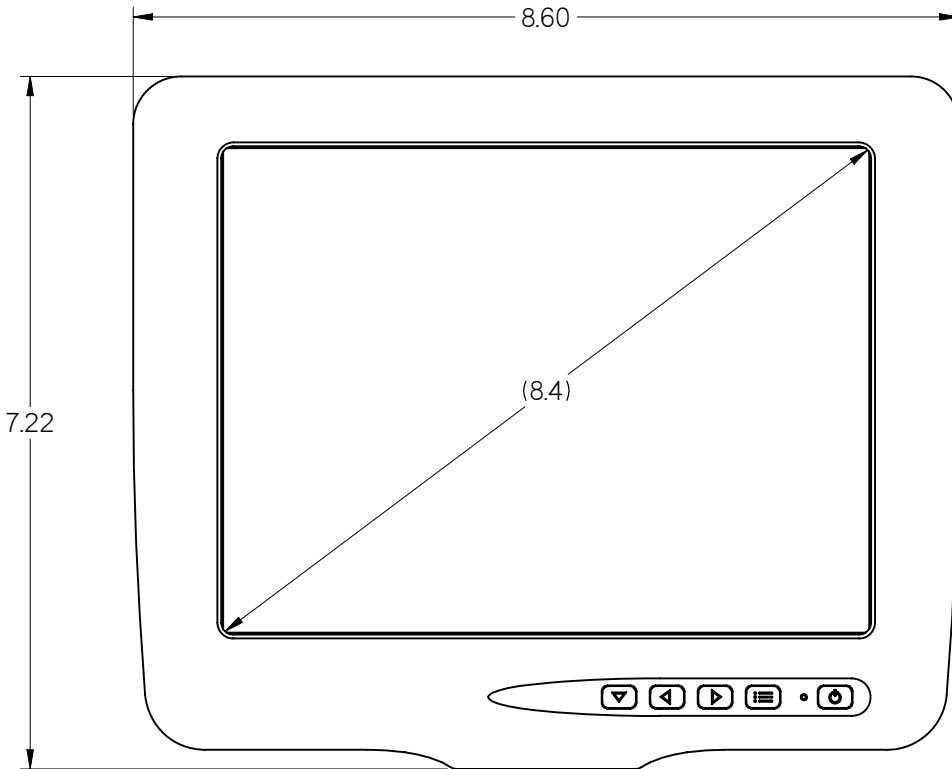


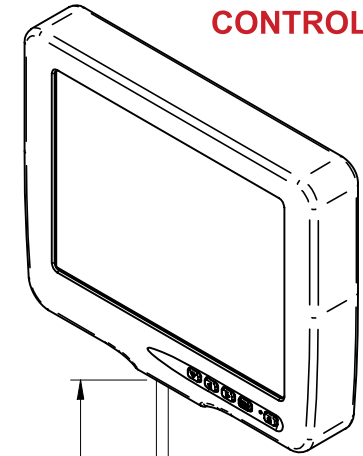
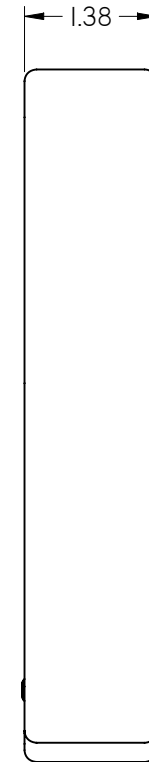
NOTES: (unless otherwise specified)

1. MATERIALS AND INSTRUCTIONS LISTED ON SEPARATE BILL OF MATERIALS.
2. ASSEMBLY WEIGHT: 2.84 LBS. ±10%
3. LABELS, SHIPPING PACKAGE, AND SOME MINOR PARTS OMITTED FROM DRAWING FOR CLARITY.



REVISIONS						
ZONE	REV	DESCRIPTION	DATE	BY	CHG NO	APRV
	A	PRODUCTION RELEASE	10/2/06	JAW	ECO6248	
A1	B	ADD MAX TO Ø.25 DIMENSION	10/19/06	GJH	ECO6278	JW

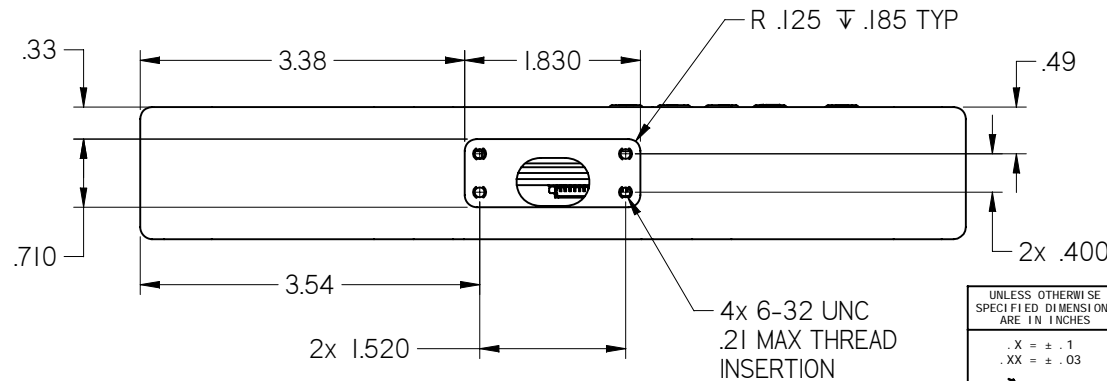
**ELECTRONIC  
REVISION  
CONTROLLED**



36.0 ±1

Ø.25 (MAX)  
HARNESS

WIRING	
Connector: None - flush cut	
Wire	Monitor signal
24 AWG YELLOW	SELECT SWITCH RETURN
24 AWG RED	+28VDC
24 AWG GREY	SELECT SWITCH
24 AWG BLACK	DC RETURN
RG179 SIGNAL	VIDEO SIGNAL
RG179 SHIELD	VIDEO RETURN
24 AWG GREEN	CHASSIS GROUND



THE INFORMATION CONTAINED HEREIN IS PROPRIETARY TO ROSEN AVIATION, LLC. IT SHALL NOT BE REPRODUCED OR DISCLOSED IN WHOLE OR IN PART OR USED FOR ANY DESIGN OR MANUFACTURE EXCEPT WHEN SUCH USER POSSESSES DIRECT, WRITTEN AUTHORIZATION FROM ROSEN AVIATION. THIS DRAWING MAY BE COVERED UNDER ONE OR MORE U.S. OR INTERNATIONAL PATENTS. PLEASE CONTACT ROSEN AVIATION FOR SPECIFIC INFORMATION.

**ROSEN AVIATION** 1020 OWEN LOOP SOUTH  
EUGENE, OREGON 97402  
TEL: (541) 342-3802 FAX: (541) 342-4912

TITLE  
**MONITOR ASSEMBLY  
CENTER MOUNT, NO ARM**

FIRST CALLED FOR: (FCF)

**8.4" SLIMLINE IV**

APPROVALS	INITIAL	DATE
DRAWN BY	JAW	9/12/06
CHECKER	SC	10/2/06
ENGINEER	JAW	10/2/06

DWG NO  
8403-003 MOD 00

SIZE	REV
A	B

SCALE 1/2 SHEET 1 OF 1

UNLESS OTHERWISE SPECIFIED DIMENSIONS ARE IN INCHES  
.X = ± .1  
.XX = ± .03  
R = ± 5.0°  
RADI = ± .020  
INTERPRET DIM AND TOL PER ASME Y14.5M - 1994

REFER TO [www.rosenaviation.com](http://www.rosenaviation.com) FOR THE LATEST REVISION INFORMATION.