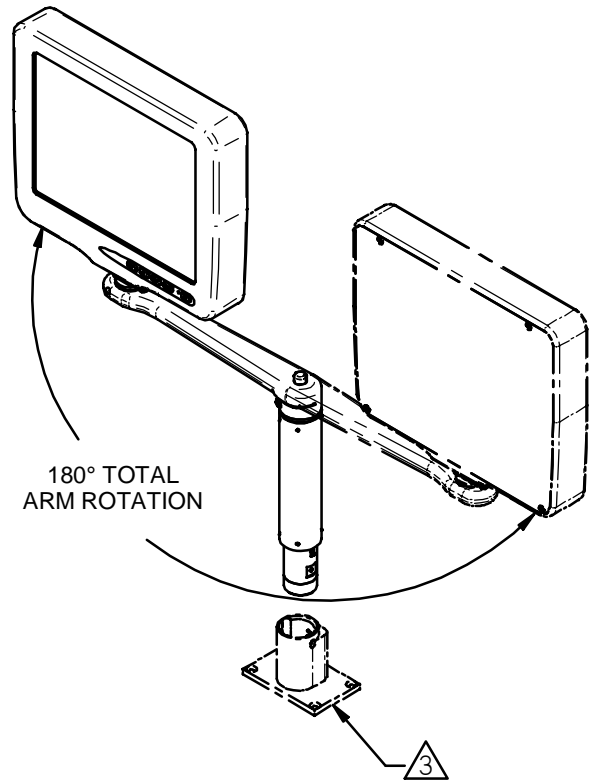
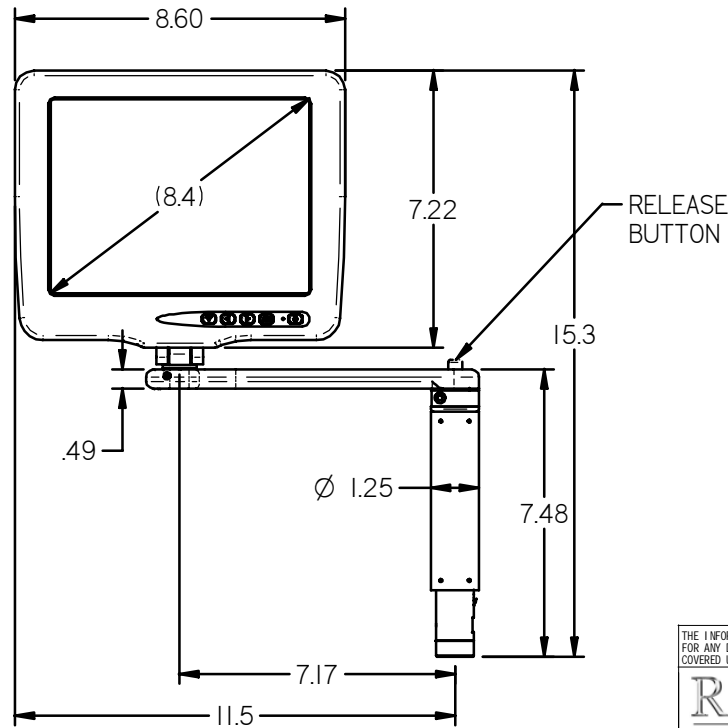
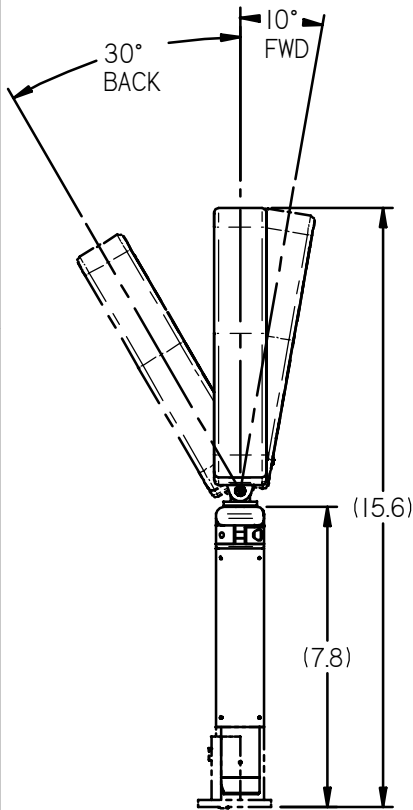
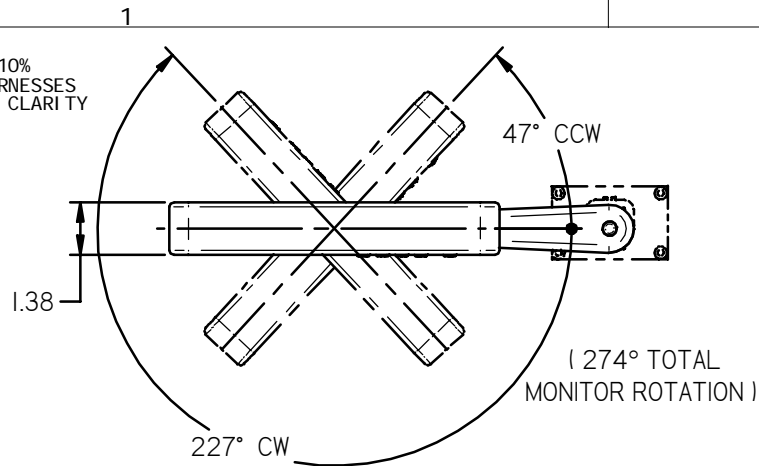


NOTES: (unless otherwise specified)

1. ASSEMBLY WEIGHT: 4.0 LBS. ± 10%
2. SOME MINOR PARTS, LABELS, HARNESSES AND INSTRUCTIONS OMITTED FOR CLARITY



BASE SOLD SEPARATELY



ELECTRONIC REVISION CONTROLLED

| REVISIONS | | | | | | |
|-----------|-----|-------------------------|----------|-----|---------|------|
| ZONE | REV | DESCRIPTION | DATE | BY | CHG NO | APRV |
| | A | INITIAL DRAWING RELEASE | 12/03/09 | GJH | EC08541 | |

THE INFORMATION CONTAINED HEREIN IS PROPRIETARY TO ROSEN AVIATION, LLC. IT SHALL NOT BE REPRODUCED OR DISCLOSED IN WHOLE OR IN PART OR USED FOR ANY DESIGN OR MANUFACTURE EXCEPT WHEN SUCH USER POSSESSES DIRECT, WRITTEN AUTHORIZATION FROM ROSEN AVIATION. THIS DRAWING MAY BE COVERED UNDER ONE OR MORE U.S. OR INTERNATIONAL PATENTS. PLEASE CONTACT ROSEN AVIATION FOR SPECIFIC INFORMATION.

Rosen AVIATION 1020 OWEN LOOP SOUTH
EUGENE, OREGON 97402
TEL: (541) 342-3802 FAX: (541) 342-4912

TITLE
**OUTLINE & INSTALLATION DRAWING,
8.4" MONITOR,
w/PCR5 POGO ARM**
FIRST CALLED FOR: (FCF)

| APPROVALS | INITIAL | DATE |
|-----------|---------|----------|
| DRAWN BY | GJH | 01/08/09 |
| CHECKER | DRF | 02/23/09 |
| ENGINEER | SC | 07/30/09 |

DWG NO
8403-034-CD

| SIZE | REV |
|------|-----|
| A | A |

SCALE 1:5 SHEET 1 OF 2

UNLESS OTHERWISE SPECIFIED DIMENSIONS ARE IN INCHES
.X = ± .1
.XX = ± .03
R = ± 5.0°
RADI ± .020
INTERPRET DIM AND TOL PER ASME Y14.5M - 1994

PERFORMANCE SPECIFICATIONS (REF)

| LCD Performance | |
|----------------------------------|--------------------------------------------------------|
| Screen Resolution (pixels) | 640 x 480 |
| Video Standards supported | NTSC, PAL, SECAM |
| Display Viewing Area (in) | 6.73 x 5.05 |
| Vertical Viewing Angle (CR>10) | +40°(up), -70°(down) |
| Horizontal Viewing Angle (CR>10) | ±55° |
| Response Time | 10 ms (typ) |
| Contrast Ratio | 500:1 |
| Screen Brightness | 450 cd/m ² typ 360 cd/m ² min |

| Power Requirements | |
|-------------------------|-----------------|
| Nominal Voltage/Current | 28VDC/350ma |
| Inrush Current | 26A for 200μsec |
| Op Voltage Range | 18-32VDC |
| Maximum Current Draw | 550ma |
| Power Consumption | 9.9W Max |

| Environmental Specifications | |
|------------------------------|----------------|
| Operating Temperature | |
| Insulated Installation | 0°C - 40°C |
| Free Air Installation | 0°C - 50°C |
| Altitude | 15,000ft |
| Humidity | 95%RH |
| Vibration | 1.48 grms |
| Power Input | DO-160D Cat AB |
| RF Susceptibility | DO-160D Cat T |
| Emission of RF Energy | DO-160D Cat B |

| MTBF Prediction | |
|-----------------|-------------|
| | 3,495 Hours |

Base Receptacle Pinout - DB9

SLIMLINE Pogo Model 0100-041 or 0100-042 (sold separately)

Connector: 9 Pin Male D-Subminiature
Positronic SD9M0000Z

Mate: 9 Pin Female D-Subminiature
Positronic SD9F0000X

| Pin # | Monitor signal |
|-------|-----------------------|
| 1 | Reserved |
| 2 | +28V DC |
| 3 | DC Return |
| 4 | Select Switch* |
| 5 | Select Switch Return* |
| 6 | Reserved |
| 7 | Video Signal Input |
| 8 | Video Ground |
| 9 | Reserved |

* Pins 4 & 5 connected to a normally open relay, closes for 200ms when select switch pressed.

BNC/Molex Pinout

Slimline Base Receptacle
Model 0100-040

Video Connector: BNC Jack, AMP 5221199-5

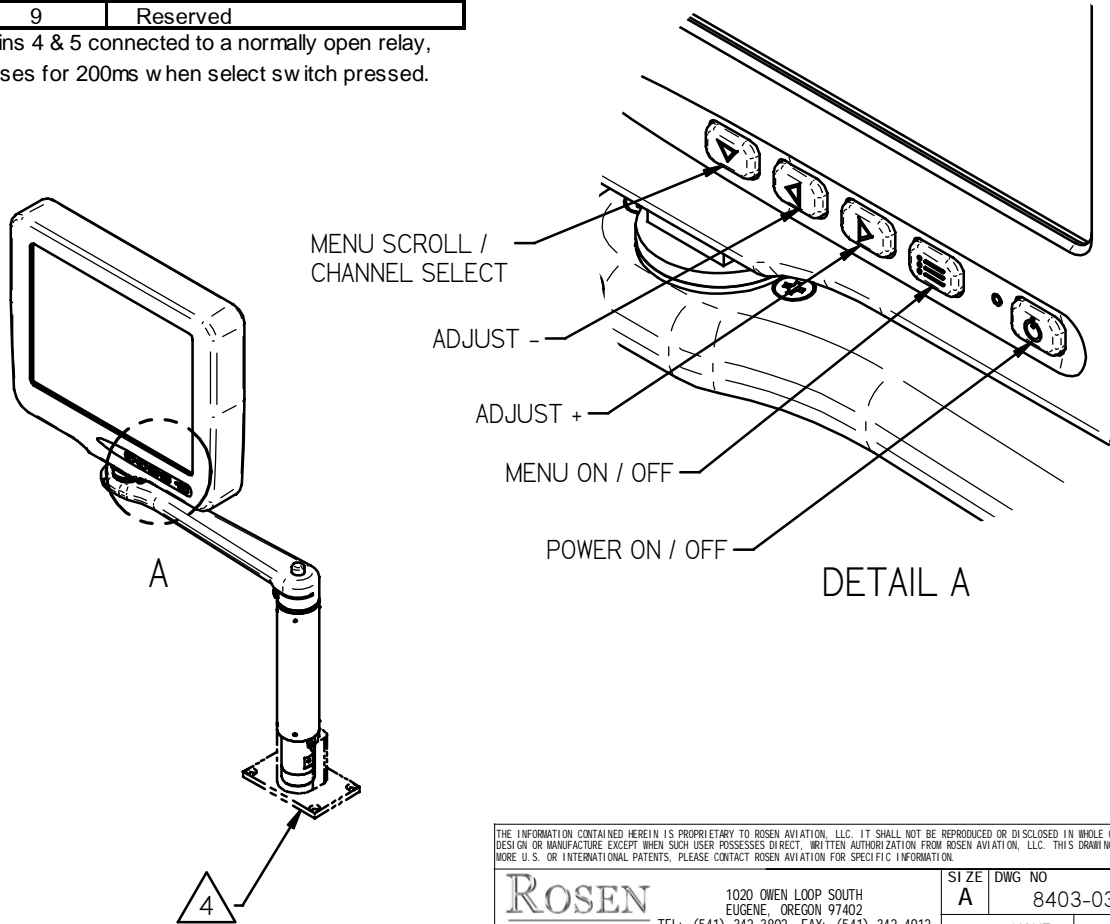
Power Connector: Male 3 pin, .062" Molex

Mating Video Connector: BNC Plug

Mating Power Connector: Molex 03-06-1038

Mating Power Contact: Molex 02-06-1103

| Pin # | Monitor signal |
|------------|----------------|
| BNC signal | Video Signal |
| BNC shield | Video Return |
| Molex 1 | +28V DC |
| Molex 2 | DC Return |
| Molex 3 | Reserved |



THE INFORMATION CONTAINED HEREIN IS PROPRIETARY TO ROSEN AVIATION, LLC. IT SHALL NOT BE REPRODUCED OR DISCLOSED IN WHOLE OR IN PART OR USED FOR ANY DESIGN OR MANUFACTURE EXCEPT WHEN SUCH USER POSSESSES DIRECT, WRITTEN AUTHORIZATION FROM ROSEN AVIATION, LLC. THIS DRAWING MAY BE COVERED UNDER ONE OR MORE U.S. OR INTERNATIONAL PATENTS. PLEASE CONTACT ROSEN AVIATION FOR SPECIFIC INFORMATION.

| | | | | |
|----------------|-----------------------------------------------------------------------------------------|--------------|--------------------|-------|
| ROSEN AVIATION | 1020 OWEN LOOP SOUTH EUGENE, OREGON 97402 TEL: (541) 342-3802 FAX: (541) 342-4912 | SIZE A | DWG NO 8403-034-CD | REV A |
| | SCALE NONE | SHEET 2 OF 2 | | |