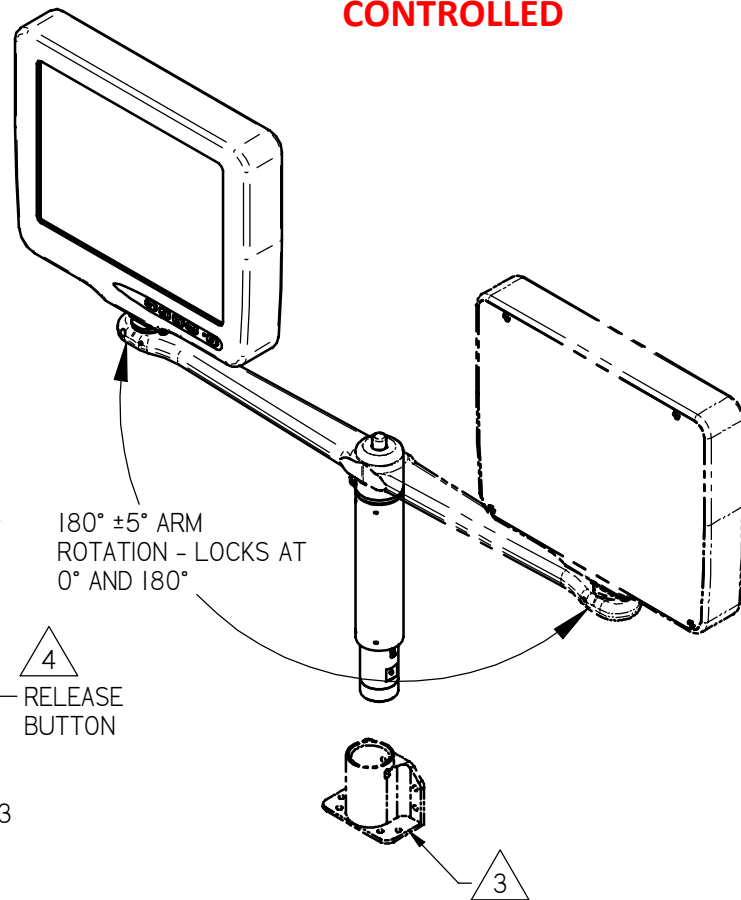
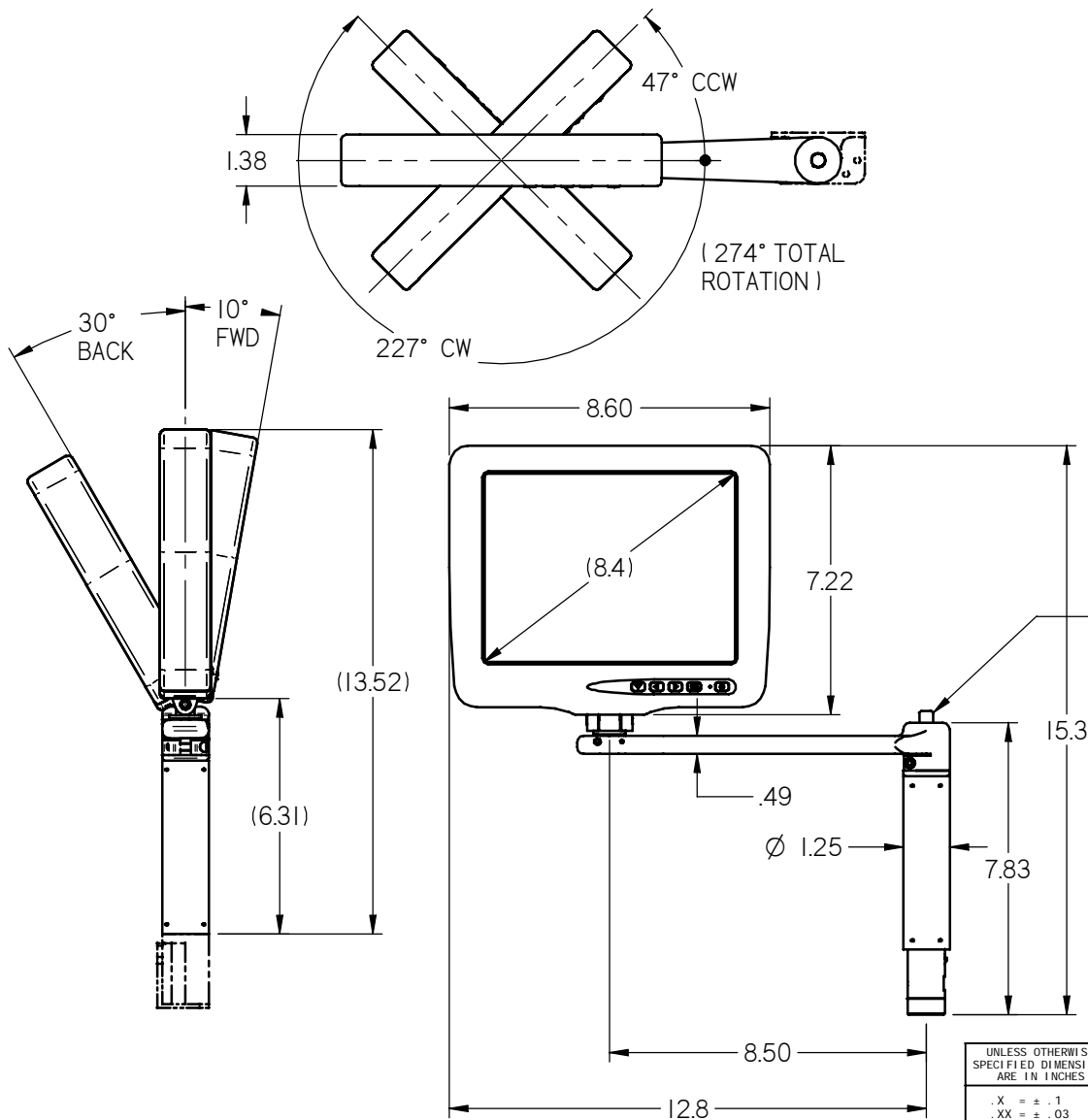


NOTES: (unless otherwise specified)

1. COMPONENT WEIGHT: 4.00 LBS. ± 10%
2. LABELS, SHIPPING PACKAGE, AND SOME MINOR PARTS OMITTED FROM DRAWING FOR CLARITY
3. BASE SOLD SEPARATELY
4. FIRST HALF OF BUTTON TRAVEL RELEASES ARM ROTATION LOCK, SECOND HALF OF BUTTON TRAVEL RELEASES MONITOR/ARM ASSEMBLY FROM BASE

REVISIONS						
ZONE	REV	DESCRIPTION	DATE	BY	CHG NO	APRV
	A	INITIAL DRAWING RELEASE	12/03/09	GJH	EC08541	

ELECTRONIC REVISION CONTROLLED



THE INFORMATION CONTAINED HEREIN IS PROPRIETARY TO ROSEN AVIATION, LLC. IT SHALL NOT BE REPRODUCED OR DISCLOSED IN WHOLE OR IN PART OR USED FOR ANY DESIGN OR MANUFACTURE EXCEPT WHEN SUCH USER POSSESSES DIRECT, WRITTEN AUTHORIZATION FROM ROSEN AVIATION. THIS DRAWING MAY BE COVERED UNDER ONE OR MORE U.S. OR INTERNATIONAL PATENTS. PLEASE CONTACT ROSEN AVIATION FOR SPECIFIC INFORMATION.

Rosen AVIATION		1020 OWEN LOOP SOUTH EUGENE, OREGON 97402 TEL: (541) 342-3802 FAX: (541) 342-4912		APPROVALS	INITIAL	DATE
				DRAWN BY	GJH	01/08/09
				CHECKER	DRF	02/23/09
				ENGINEER	SC	07/30/09
TITLE OUTLINE & INSTALLATION DRAWING, 8.4" MONITOR w/LOCKING POGO PCR8 ARM				DWG NO 8403-037-CD		
FIRST CALLED FOR: (FCF)				SIZE A		REV A
				SCALE 1:5	SHEET 1 OF 2	

UNLESS OTHERWISE SPECIFIED DIMENSIONS ARE IN INCHES
 .X = ± .1
 .XX = ± .03
 ∠ = ± 5.0°
 RADI = ± .020
 INTERPRET DIM AND TOL PER ASME Y14.5M - 1994

PERFORMANCE SPECIFICATIONS (REF)

LCD Performance	
Screen Resolution (pixels)	640 x 480
Video Standards supported	NTSC, PAL, SECAM
Display Viewing Area (in)	6.73 x 5.05
Vertical Viewing Angle (CR>10)	+40°(up), -70°(down)
Horizontal Viewing Angle (CR>10)	±55°
Response Time	10 ms (typ)
Contrast Ratio	500:1
Screen Brightness	450 cd/m ² typ 360 cd/m ² min

Power Requirements	
Nominal Voltage/Current	28VDC/350ma
Inrush Current	26A for 200μsec
Op Voltage Range	18-32VDC
Maximum Current Draw	550ma
Power Consumption	9.9W Max

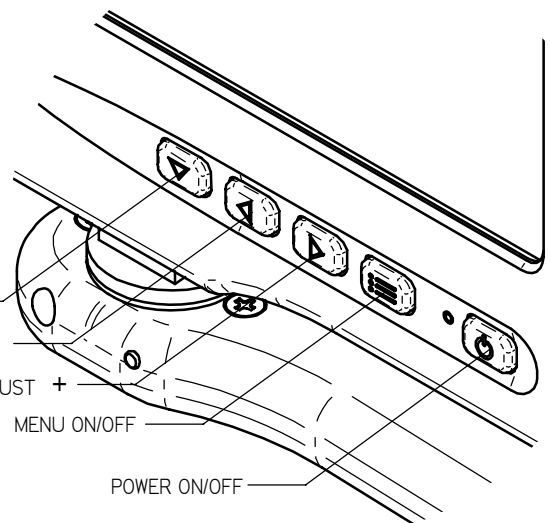
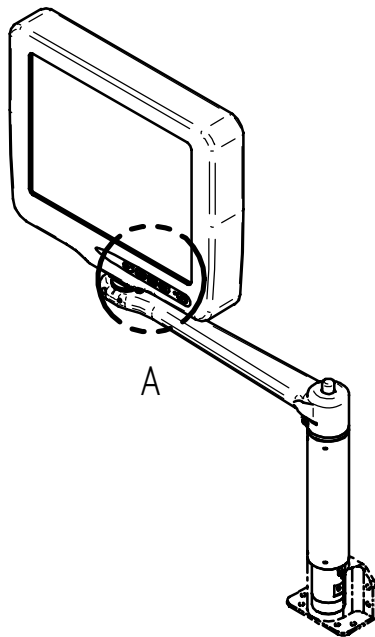
Environmental Specifications	
Operating Temperature	
Insulated Installation	0°C - 40°C
Free Air Installation	0°C - 50°C
Altitude	15,000ft
Humidity	95%RH
Vibration	1.48 grms
Power Input	DO-160D Cat AB
RF Susceptibility	DO-160D Cat T
Emission of RF Energy	DO-160D Cat B

MTBF Prediction	3,495 Hours
-----------------	-------------

NOTES:
 ⚠ SELECT SWITCH PINS 4 & 5 NORMALLY OPEN, MOMENTARILY CLOSES WHEN CHANNEL SELECT BUTTON DEPRESSED.

9 Pin Pinout

Slimline Base Receptacle Model 0100-041 & 0100-042	
Connector: 9 Pin Male D-Subminiature Positronic SD9M0000Z	
Mate: 9 Pin Female D-Subminiature Positronic SD9F0000X	
Pin #	Monitor signal
1	Reserved
2	+28V DC
3	DC Return
4	Select Switch ⚠
5	Select Switch - Return ⚠
6	Reserved
7	Video Signal Input
8	Video Ground
9	Reserved



DETAIL A

THE INFORMATION CONTAINED HEREIN IS PROPRIETARY TO ROSEN AVIATION, LLC. IT SHALL NOT BE REPRODUCED OR DISCLOSED IN WHOLE OR IN PART OR USED FOR ANY DESIGN OR MANUFACTURE EXCEPT WHEN SUCH USER POSSESSES DIRECT, WRITTEN AUTHORIZATION FROM ROSEN AVIATION, LLC. THIS DRAWING MAY BE COVERED UNDER ONE OR MORE U.S. OR INTERNATIONAL PATENTS. PLEASE CONTACT ROSEN AVIATION FOR SPECIFIC INFORMATION.

ROSEN AVIATION	1020 OWEN LOOP SOUTH EUGENE, OREGON 97402 TEL: (541) 342-3802 FAX: (541) 342-4912	SIZE A	DWG NO 8403-037-CD	REV A
	SCALE NONE	SHEET 2 OF 2		