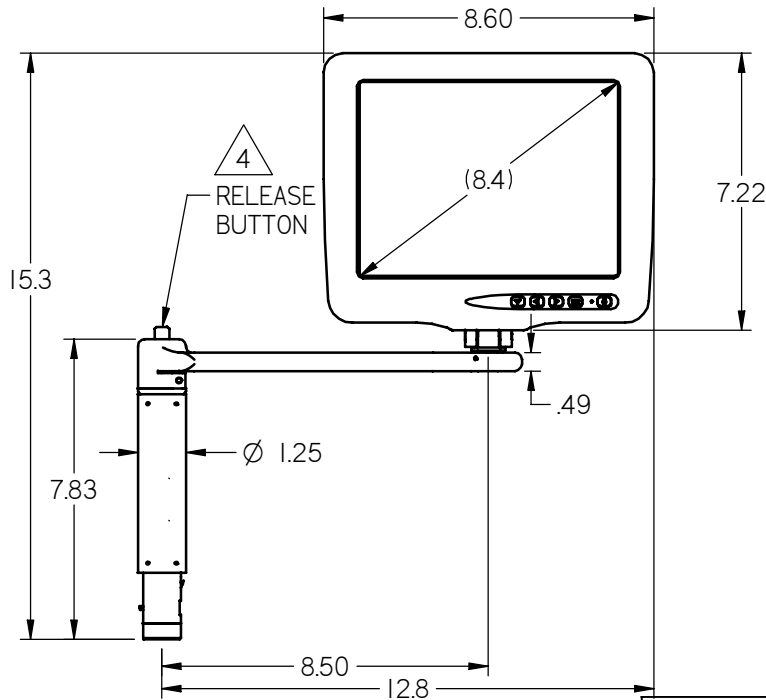
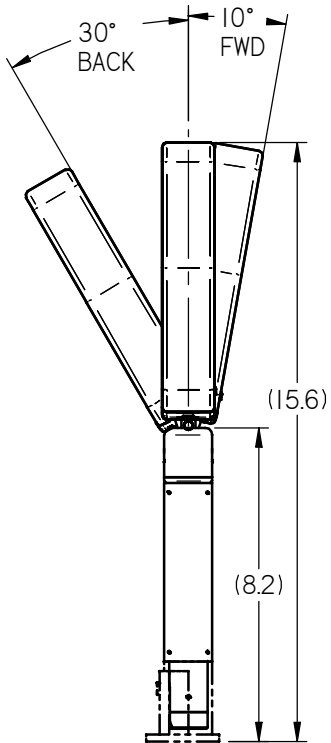
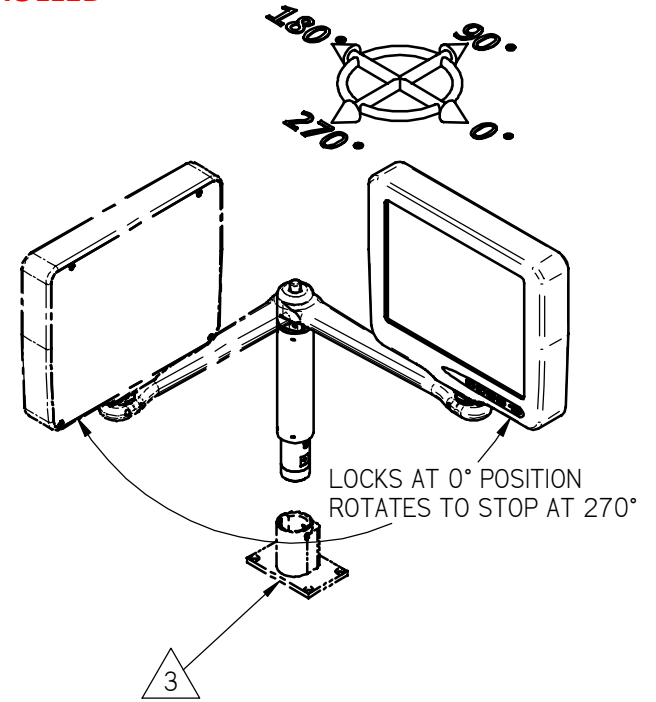
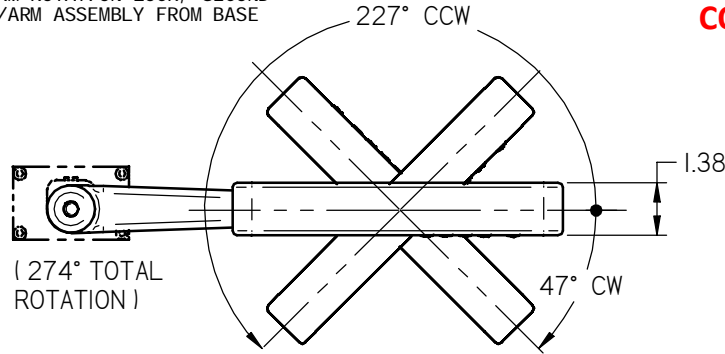


NOTES: (unless otherwise specified)

- 1. COMPONENT WEIGHT: 3.95 LBS. ± 10%
- 2. LABELS, SHIPPING PACKAGE, AND SOME MINOR PARTS OMITTED FROM DRAWING FOR CLARITY
- 3. BASE SOLD SEPARATELY
- 4. FIRST HALF OF BUTTON TRAVEL RELEASES ARM ROTATION LOCK, SECOND HALF OF BUTTON TRAVEL RELEASES MONITOR/ARM ASSEMBLY FROM BASE

REVISIONS						
ZONE	REV	DESCRIPTION	DATE	BY	CHG NO	APRV
	A	UPDATE POWER REQUIREMENTS	12/03/09	GJH	EC08541	

### ELECTRONIC REVISION CONTROLLED



THE INFORMATION CONTAINED HEREIN IS PROPRIETARY TO ROSEN AVIATION, LLC. IT SHALL NOT BE REPRODUCED OR DISCLOSED IN WHOLE OR IN PART OR USED FOR ANY DESIGN OR MANUFACTURE EXCEPT WHEN SUCH USER POSSESSES DIRECT, WRITTEN AUTHORIZATION FROM ROSEN AVIATION. THIS DRAWING MAY BE COVERED UNDER ONE OR MORE U.S. OR INTERNATIONAL PATENTS. PLEASE CONTACT ROSEN AVIATION FOR SPECIFIC INFORMATION.

**ROSEN AVIATION**  
 1020 OWEN LOOP SOUTH  
 EUGENE, OREGON 97402  
 TEL: (541) 342-3802 FAX: (541) 342-4912

APPROVALS	INITIAL	DATE
DRAWN BY	GJH	01/08/09
CHECKER	DRF	02/24/09
ENGINEER	SC	07/30/09

TITLE  
**OUTLINE & INSTALLATION DRAWING,  
 8.4" MONITOR, SELECT SWITCH 90° CW  
 PCR8 LOCKING POGO ARM**

FIRST CALLED FOR: (FCF)

DWG NO 8403-039-CD		
SIZE A		REV A
SCALE 1:5	SHEET 1	OF 2

UNLESS OTHERWISE SPECIFIED DIMENSIONS ARE IN INCHES  
 .X = ± .1  
 .XX = ± .03  
 R = ± 5.0°  
 RADI = ± .020  
 INTERPRET DIM AND TOL PER ASME Y14.5M - 1994

**PERFORMANCE SPECIFICATIONS (REF)**

**LCD Performance**

Screen Resolution (pixels)	640 x 480
Video Standards supported	NTSC, PAL, SECAM
Display Viewing Area (in)	6.73 x 5.05
Vertical Viewing Angle (CR>10)	+40°(up), -70°(down)
Horizontal Viewing Angle (CR>10)	±55°
Response Time	10 ms (typ)
Contrast Ratio	500:1
Screen Brightness	450 cd/m <sup>2</sup> typ 360 cd/m <sup>2</sup> min

**Power Requirements**

Nominal Voltage/Current	28VDC/350ma
Inrush Current	26A for 200µsec
Op Voltage Range	18-32VDC
Maximum Current Draw	550ma
Power Consumption	9.9W Max

**Environmental Specifications**

Operating Temperature	
Insulated Installation	0°C - 40°C
Free Air Installation	0°C - 50°C
Altitude	15,000ft
Humidity	95%RH
Vibration	1.48 grms
Power Input	DO-160D Cat AB
RF Susceptibility	DO-160D Cat T
Emission of RF Energy	DO-160D Cat B

**MTBF Prediction**

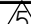

3,495 Hours

**9 Pin Pinout**


**Slimline Base Receptacle  
Model 0100-046**

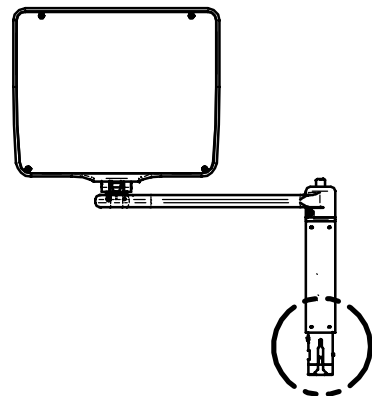
Connector: 9 Pin Male D-Subminiature  
Positronic SD9M0000Z

Mate: 9 Pin Female D-Subminiature  
Positronic SD9F0000X

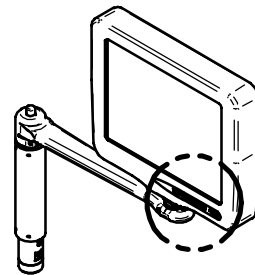
Pin #	Monitor signal
1	Reserved
2	+28V DC
3	DC Return
4	Select Switch 
5	Select Switch - Return 
6	Reserved
7	Video Signal Input
8	Video Ground
9	Reserved

**NOTES:**

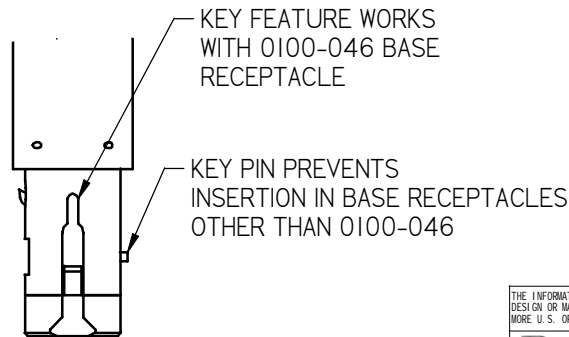
 SELECT SWITCH PINS 4 & 5 NORMALLY OPEN, MOMENTARILY CLOSES WHEN CHANNEL SELECT BUTTON DEPRESSED.



B



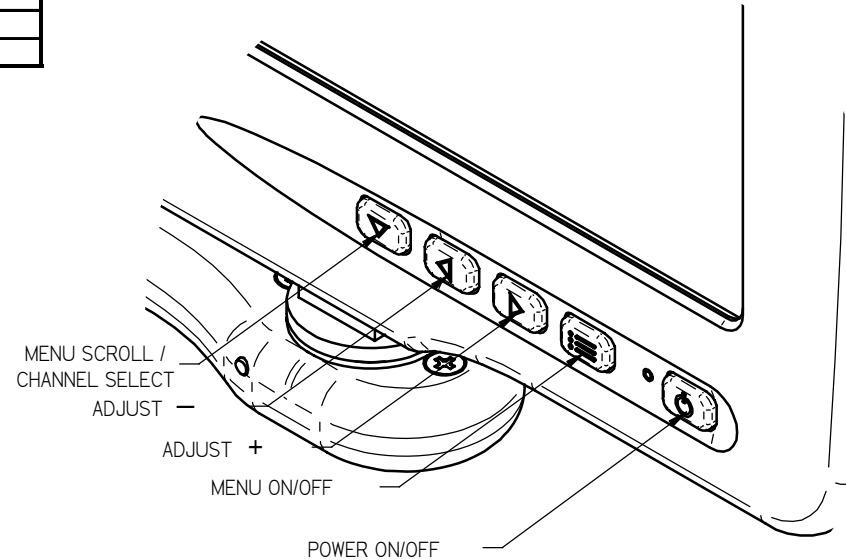
A



DETAIL B

KEY FEATURE WORKS WITH 0100-046 BASE RECEPTACLE

KEY PIN PREVENTS INSERTION IN BASE RECEPTACLES OTHER THAN 0100-046



DETAIL A

THE INFORMATION CONTAINED HEREIN IS PROPRIETARY TO ROSEN AVIATION, LLC. IT SHALL NOT BE REPRODUCED OR DISCLOSED IN WHOLE OR IN PART OR USED FOR ANY DESIGN OR MANUFACTURE EXCEPT WHEN SUCH USER POSSESSES DIRECT, WRITTEN AUTHORIZATION FROM ROSEN AVIATION, LLC. THIS DRAWING MAY BE COVERED UNDER ONE OR MORE U.S. OR INTERNATIONAL PATENTS. PLEASE CONTACT ROSEN AVIATION FOR SPECIFIC INFORMATION.

**ROSEN AVIATION**

1020 OWEN LOOP SOUTH  
EUGENE, OREGON 97402  
TEL: (541) 342-3802 FAX: (541) 342-4912

SIZE	DWG NO	REV
A	8403-039-CD	A
SCALE	NONE	SHEET 2 OF 2