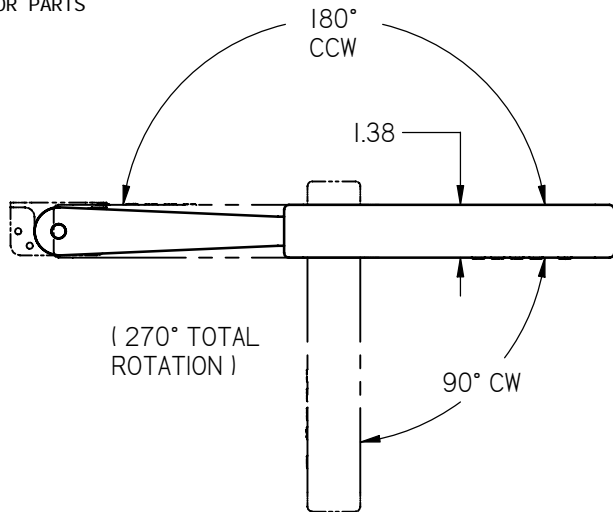


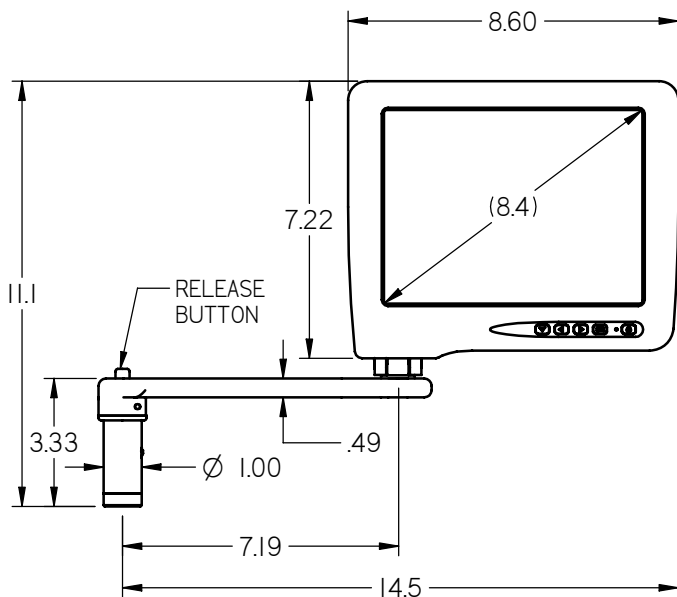
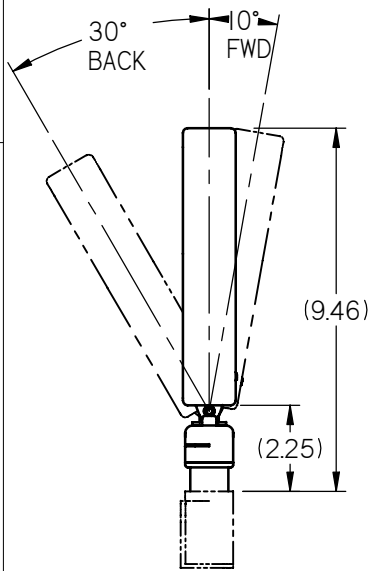
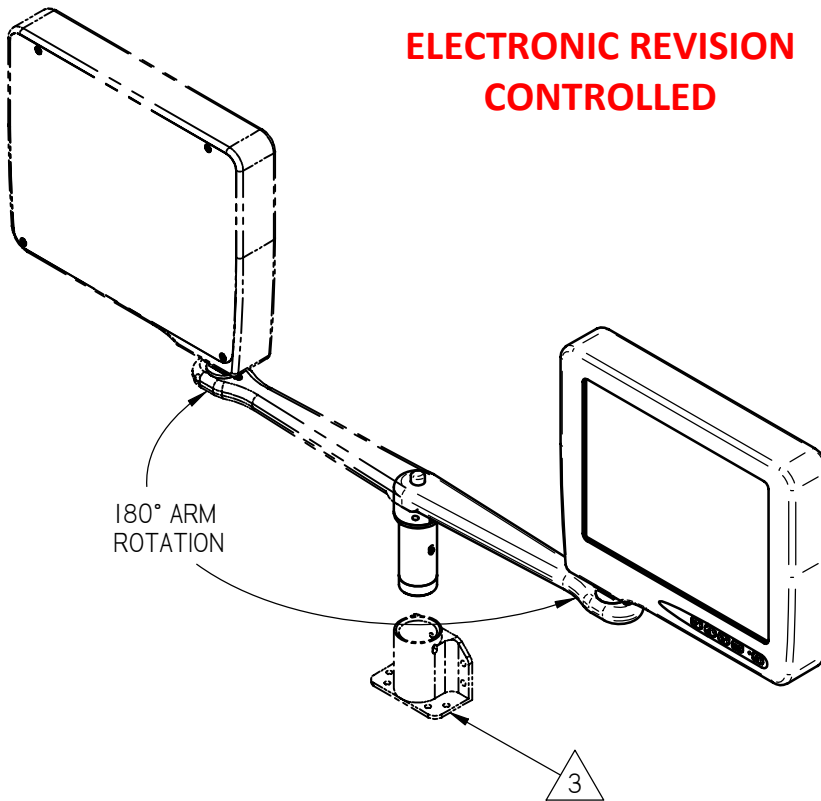
NOTES: (unless otherwise specified)

1. COMPONENT WEIGHT: 3.6 LBS. MAX
 2. LABELS, SHIPPING PACKAGE, AND SOME MINOR PARTS OMITTED FROM DRAWING FOR CLARITY
- ⚠️ BASE SOLD SEPARATELY

REVISIONS						
ZONE	REV	DESCRIPTION	DATE	BY	CHG NO	APRV
	A	INITIAL DRAWING RELEASE	12/03/09	GJH	EC08541	
	B	UPDATE NOTE 1	10/25/10	DE	EC10408	GJH



ELECTRONIC REVISION CONTROLLED



THE INFORMATION CONTAINED HEREIN IS PROPRIETARY TO ROSEN AVIATION, LLC. IT SHALL NOT BE REPRODUCED OR DISCLOSED IN WHOLE OR IN PART OR USED FOR ANY DESIGN OR MANUFACTURE EXCEPT WHEN SUCH USER POSSESSES DIRECT, WRITTEN AUTHORIZATION FROM ROSEN AVIATION. THIS DRAWING MAY BE COVERED UNDER ONE OR MORE U.S. OR INTERNATIONAL PATENTS. PLEASE CONTACT ROSEN AVIATION FOR SPECIFIC INFORMATION.

ROSEN AVIATION 1020 OWEN LOOP SOUTH
EUGENE, OREGON 97402
TEL: (541) 342-3802 FAX: (541) 342-4912

APPROVALS	INITIAL	DATE
DRAWN BY	GJH	01/08/09
CHECKER	DRF	02/24/09
ENGINEER	SC	07/30/09

UNLESS OTHERWISE SPECIFIED DIMENSIONS ARE IN INCHES
 .X = ± .1
 .XX = ± .03
 R = ± 5.0°
 RADI = ± .020
 INTERPRET DIM AND TOL PER ASME Y14.5M - 1994

TITLE
OUTLINE & INSTALLATION DRAWING, 8.4" MONITOR, LEFT MOUNT w/SLA8 ARM
 FIRST CALLED FOR: (FCF)

DWG NO 8403-060-CD		
SIZE A		REV B
SCALE 1:5	SHEET	1 OF 2

PERFORMANCE SPECIFICATIONS (REF)



LCD Performance	
Screen Resolution (pixels)	640 x 480
Video Standards supported	NTSC, PAL, SECAM
Display Viewing Area (in)	6.73 x 5.05
Vertical Viewing Angle (CR>10)	+40°(up), -70°(down)
Horizontal Viewing Angle (CR>10)	±55°
Response Time	10 ms (typ)
Contrast Ratio	500:1
Screen Brightness	450 cd/m ² typ 360 cd/m ² min

Power Requirements	
Nominal Voltage/Current	28VDC/350ma
Inrush Current	26A for 200µsec
Op Voltage Range	18-32VDC
Maximum Current Draw	550ma
Power Consumption	9.9W Max

Environmental Specifications	
Operating Temperature	
Insulated Installation	0°C - 40°C
Free Air Installation	0°C - 50°C
Altitude	15,000ft
Humidity	95%RH
Vibration	1.48 grms
Power Input	DO-160D Cat AB
RF Susceptibility	DO-160D Cat T
Emission of RF Energy	DO-160D Cat B

9 Pin Pinout


Slimline Base Receptacle Model 0100-002 & 0100-004	
Connector:	9 Pin Male D-Subminiature Positronic SD9M0000Z
Mate:	9 Pin Female D-Subminiature Positronic SD9F0000X

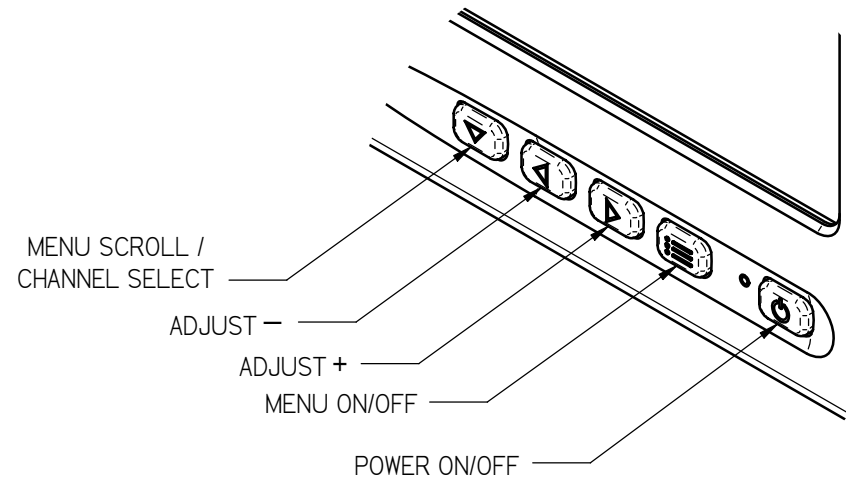
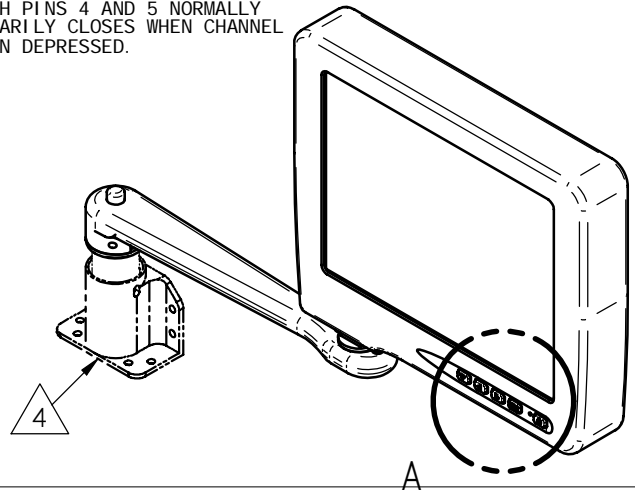
Pin #	Monitor signal
1	Chassis Ground
2	+28V DC
3	DC Return
4	Select Switch 
5	Select Switch Return 
6	Reserved
7	Video Signal Input
8	Video Ground
9	Reserved

BNC/Molex Pinout

Slimline Base Receptacle Model 0100-005	
Video Connector:	BNC Jack, AMP 5221199-5
Power Connector:	Male 3 pin, .062" Molex
Mating Video Connector:	BNC PLUG
Mating Power Connector:	Molex 03-06-1038
Mating Power Contact:	Molex 02-06-1103

Pin #	Monitor signal
BNC signal	Video Signal
BNC shield	Video Return
Molex 1	+28V DC
Molex 2	DC Return
Molex 3	Reserved

NOTES:
 SELECT SWITCH PINS 4 AND 5 NORMALLY OPEN, MOMENTARILY CLOSES WHEN CHANNEL SELECT BUTTON DEPRESSED.



DETAIL A

THE INFORMATION CONTAINED HEREIN IS PROPRIETARY TO ROSEN AVIATION, LLC. IT SHALL NOT BE REPRODUCED OR DISCLOSED IN WHOLE OR IN PART OR USED FOR ANY DESIGN OR MANUFACTURE EXCEPT WHEN SUCH USER POSSESSES DIRECT, WRITTEN AUTHORIZATION FROM ROSEN AVIATION, LLC. THIS DRAWING MAY BE COVERED UNDER ONE OR MORE U.S. OR INTERNATIONAL PATENTS. PLEASE CONTACT ROSEN AVIATION FOR SPECIFIC INFORMATION.

ROSEN AVIATION	1020 OWEN LOOP SOUTH EUGENE, OREGON 97402 TEL: (541) 342-3802 FAX: (541) 342-4912	SIZE DWG NO A 8403-060-CD	REV B
	SCALE NONE SHEET 2 OF 2		