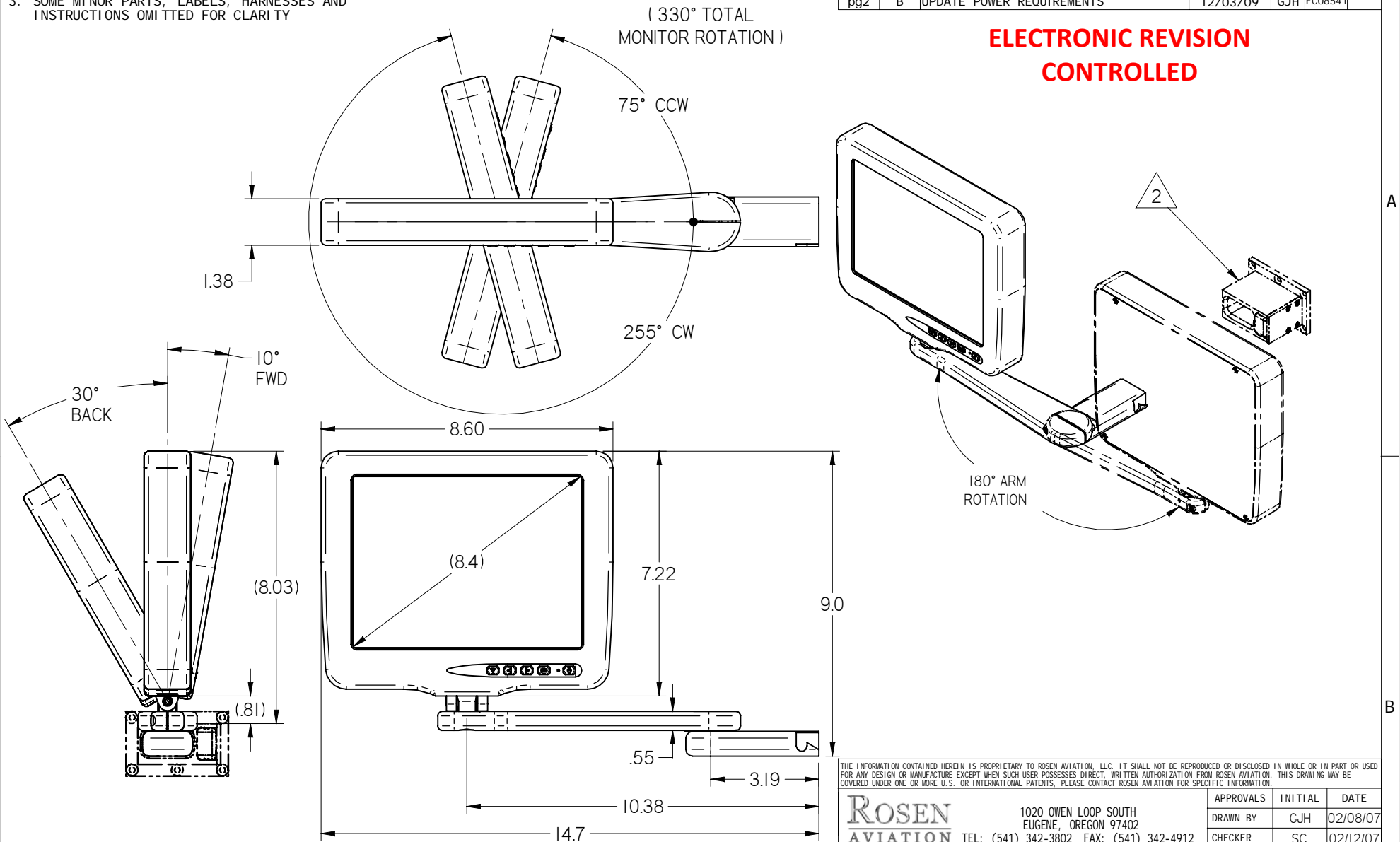


NOTES: (unless otherwise specified)

1. ASSEMBLY WEIGHT: 3.8 LBS. ± 10%
2. BASE SOLD SEPARATELY
3. SOME MINOR PARTS, LABELS, HARNESSES AND INSTRUCTIONS OMITTED FOR CLARITY

REVISIONS						
ZONE	REV	DESCRIPTION	DATE	BY	CHG NO	APRV
	A	INITIAL DRAWING RELEASE	02/13/07	GJH	ECO7050	
pg2	B	UPDATE POWER REQUIREMENTS	12/03/09	GJH	ECO8541	

**ELECTRONIC REVISION  
CONTROLLED**



THE INFORMATION CONTAINED HEREIN IS PROPRIETARY TO ROSEN AVIATION, LLC. IT SHALL NOT BE REPRODUCED OR DISCLOSED IN WHOLE OR IN PART OR USED FOR ANY DESIGN OR MANUFACTURE EXCEPT WHEN SUCH USER POSSESSES DIRECT, WRITTEN AUTHORIZATION FROM ROSEN AVIATION. THIS DRAWING MAY BE COVERED UNDER ONE OR MORE U.S. OR INTERNATIONAL PATENTS. PLEASE CONTACT ROSEN AVIATION FOR SPECIFIC INFORMATION.

**Rosen Aviation**  
 1020 OWEN LOOP SOUTH  
 EUGENE, OREGON 97402  
 TEL: (541) 342-3802 FAX: (541) 342-4912

APPROVALS	INITIAL	DATE
DRAWN BY	GJH	02/08/07
CHECKER	SC	02/12/07
ENGINEER	DRF	02/13/07

TITLE  
**OUTLINE & INSTALLATION DRAWING,  
 8.4" MONITOR ASSY, CENTER, EXTENDED  
 w/UVK ARM**  
 FIRST CALLED FOR: (FCF)

DWG NO 8403-102-CD	
SIZE A	REV B
SCALE 1:4	SHEET 1 OF 2

UNLESS OTHERWISE SPECIFIED DIMENSIONS ARE IN INCHES  
 .X = ± .1  
 .XX = ± .03  
 = ± 5.0°  
 RADI I ± .020  
 INTERPRET DIM AND TOL PER ASME Y14.5M - 1994

REFER TO [www.rosenaviation.com](http://www.rosenaviation.com) FOR THE LATEST REVISION INFORMATION.

### PERFORMANCE SPECIFICATIONS (REF)

#### LCD Performance

Screen Resolution (pixels)	640 x 480
Video Standards supported	NTSC, PAL, SECAM
Display Viewing Area (in)	6.73 x 5.05
Vertical Viewing Angle (CR>10)	+40°(up), -70°(down)
Horizontal Viewing Angle (CR>10)	±55°
Response Time	10 ms (typ)
Contrast Ratio	500:1
Screen Brightness	450 cd/m <sup>2</sup> typ 360 cd/m <sup>2</sup> min

#### Power Requirements

Nominal Voltage/Current	28VDC/350ma
Inrush Current	26A for 200μsec
Op Voltage Range	18-32VDC
Maximum Current Draw	550ma
Power Consumption	9.9W Max

#### Environmental Specifications

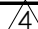

Operating Temperature	
Insulated Installation	0°C - 40°C
Free Air Installation	0°C - 50°C
Altitude	15,000ft
Humidity	95%RH
Vibration	1.48 grms
Power Input	DO-160D Cat AB
RF Susceptibility	DO-160D Cat T
Emission of RF Energy	DO-160D Cat B

#### MTBF Prediction

3,495 Hours

#### Base Receptacle Pinout - DB9

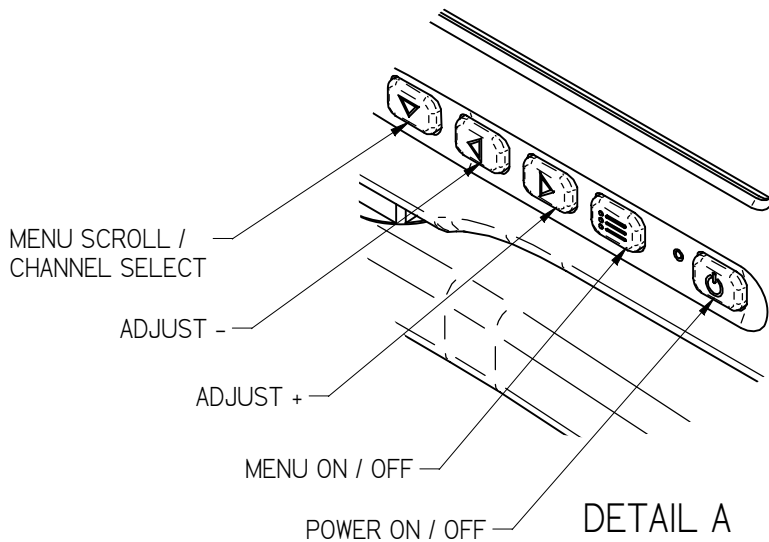
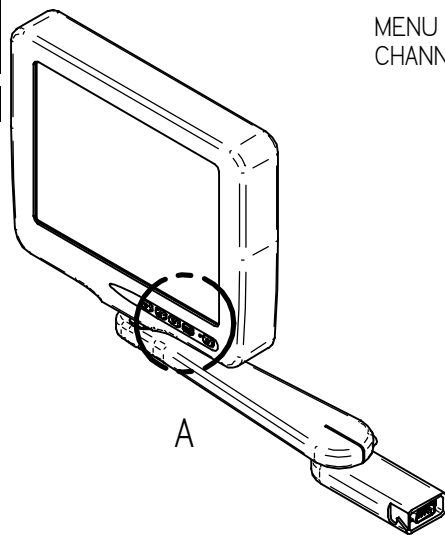
<b>RNVAP Base Receptacle Model 0100-010</b>
Connector: 9 Pin Male D-Subminiature Positronic SD9M0000Z
Mate: 9 Pin Female D-Subminiature Positronic SD9F0000X

Pin #	Monitor signal
1	Chassis Ground
2	DC Input
3	DC Return
4	Select Switch 
5	Select Switch Return 
6	Reserved
7	Video Signal Input
8	Video Ground
9	Reserved


#### Base Receptacle Pinout-BNC/Molex

<b>RNVAP Base Receptacle Model 0100-011</b>
Video Connector: BNC Jack, AMP 5221199-5
Power Connector: Male 3 pin, .062" Molex
Mating Video Connector: BNC Plug
Mating Power Connector: Molex 03-06-1038
Mating Power Contact: Molex 02-06-1103

Pin #	Monitor signal
BNC signal	Video Signal
BNC shield	Video Return
Molex 1	DC Input
Molex 2	DC Return
Molex 3	Reserved



NOTES: (unless otherwise specified)

 SELECT SWITCH PINS 4 & 5 NORMALLY OPEN, CLOSE FOR 200ms WHEN CHANNEL SELECT BUTTON IS PRESSED.

THE INFORMATION CONTAINED HEREIN IS PROPRIETARY TO ROSEN AVIATION, LLC. IT SHALL NOT BE REPRODUCED OR DISCLOSED IN WHOLE OR IN PART OR USED FOR ANY DESIGN OR MANUFACTURE EXCEPT WHEN SUCH USER POSSESSES DIRECT, WRITTEN AUTHORIZATION FROM ROSEN AVIATION, LLC. THIS DRAWING MAY BE COVERED UNDER ONE OR MORE U.S. OR INTERNATIONAL PATENTS. PLEASE CONTACT ROSEN AVIATION FOR SPECIFIC INFORMATION.

<b>ROSEN AVIATION</b>	1020 OWEN LOOP SOUTH EUGENE, OREGON 97402 TEL: (541) 342-3802 FAX: (541) 342-4912	SIZE	DWG NO	REV
		A	8403-102-CD	B
SCALE NONE		SHEET 2 OF 2		