

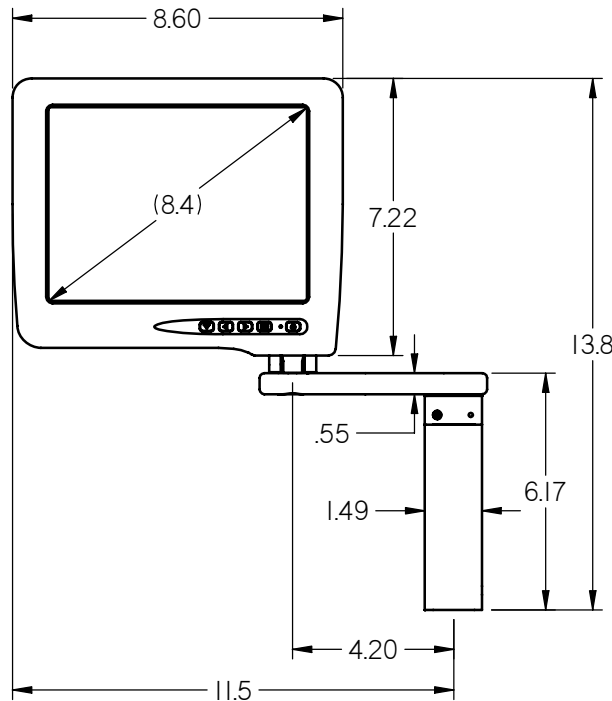
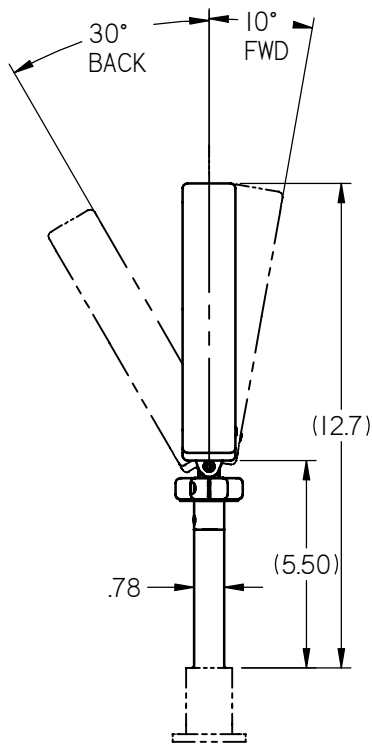
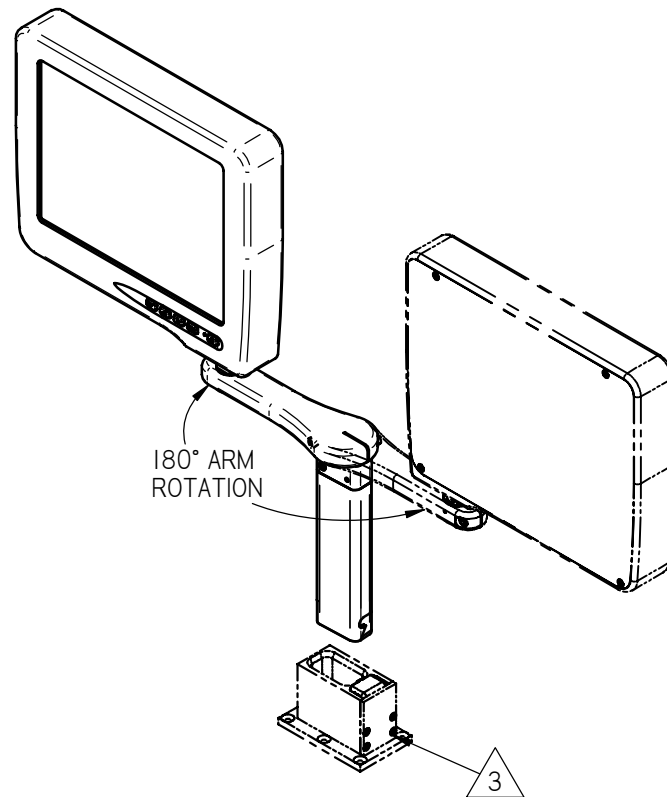
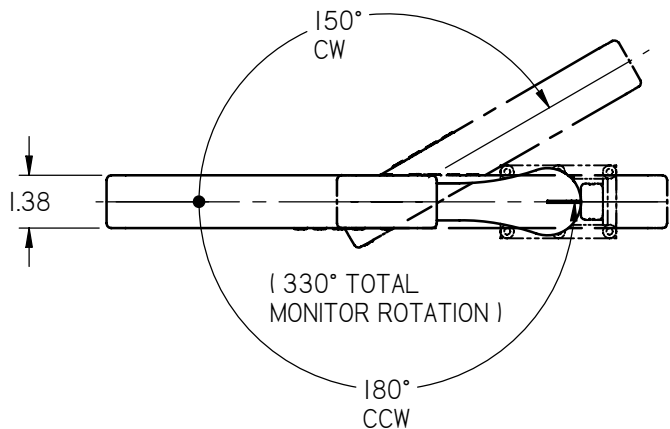
NOTES: (unless otherwise specified)

- 1. COMPONENT WEIGHT: 4.00 LBS. ± 10%
- 2. LABELS, SHIPPING PACKAGE, AND SOME MINOR PARTS OMITTED FROM DRAWING FOR CLARITY

⚠ BASE SOLD SEPARATELY

REVISIONS						
ZONE	REV	DESCRIPTION	DATE	BY	CHG NO	APRV
	A	INITIAL DRAWING RELEASE	12/03/09	GJH	EC08541	

ELECTRONIC REVISION CONTROLLED



THE INFORMATION CONTAINED HEREIN IS PROPRIETARY TO ROSEN AVIATION, LLC. IT SHALL NOT BE REPRODUCED OR DISCLOSED IN WHOLE OR IN PART OR USED FOR ANY DESIGN OR MANUFACTURE EXCEPT WHEN SUCH USER POSSESSES DIRECT, WRITTEN AUTHORIZATION FROM ROSEN AVIATION. THIS DRAWING MAY BE COVERED UNDER ONE OR MORE U.S. OR INTERNATIONAL PATENTS. PLEASE CONTACT ROSEN AVIATION FOR SPECIFIC INFORMATION.

Rosen AVIATION 1020 OWEN LOOP SOUTH
EUGENE, OREGON 97402
TEL: (541) 342-3802 FAX: (541) 342-4912

APPROVALS	INITIAL	DATE
DRAWN BY	GJH	01/13/09
CHECKER	DRF	02/24/09
ENGINEER	SC	07/30/09

TITLE
**OUTLINE & INSTALLATION DRAWING,
8.4" MONITOR, RIGHT
MOUNT, w/UAB ARM**

FIRST CALLED FOR: (FCF)

DWG NO
8403-181-CD

SIZE	REV
A	A

SCALE 1:5 SHEET 1 OF 2

UNLESS OTHERWISE SPECIFIED DIMENSIONS ARE IN INCHES
 .X = ± .1
 .XX = ± .03
 ⌀ = ± 5.0°
 RADIUS ± .020
 INTERPRET DIM AND TOL PER ASME Y14.5M - 1994

REFER TO www.rosenaviation.com FOR THE LATEST REVISION INFORMATION.

PERFORMANCE SPECIFICATIONS (REF)

LCD Performance

Screen Resolution (pixels)	640 x 480
Video Standards supported	NTSC, PAL, SECAM
Display Viewing Area (in)	6.73 x 5.05
Vertical Viewing Angle (CR>10)	+40°(up), -70°(down)
Horizontal Viewing Angle (CR>10)	±55°
Response Time	10 ms (typ)
Contrast Ratio	500:1
Screen Brightness	450 cd/m ² typ 360 cd/m ² min

Power Requirements

Nominal Voltage/Current	28VDC/350ma
Inrush Current	26A for 200µsec
Op Voltage Range	18-32VDC
Maximum Current Draw	550ma
Power Consumption	9.9W Max

Environmental Specifications

Operating Temperature	
Insulated Installation	0°C - 40°C
Free Air Installation	0°C - 50°C
Altitude	15,000ft
Humidity	95%RH
Vibration	1.48 grms
Power Input	DO-160D Cat AB
RF Susceptibility	DO-160D Cat T
Emission of RF Energy	DO-160D Cat B

MTBF Prediction



3,495 Hours

Base Receptacle Pinout - DB9

**RNVAP Base Receptacle
Model 0100-010**

Connector: 9 Pin Male D-Subminiature
Positronic SD9M0000Z

Mate: 9 Pin Female D-Subminiature
Positronic SD9F0000X

Pin #	Monitor signal
1	Chassis Ground
2	DC Input
3	DC Return
4	Select Switch 
5	Select Switch Return 
6	Reserved
7	Video Signal Input
8	Video Ground
9	Reserved

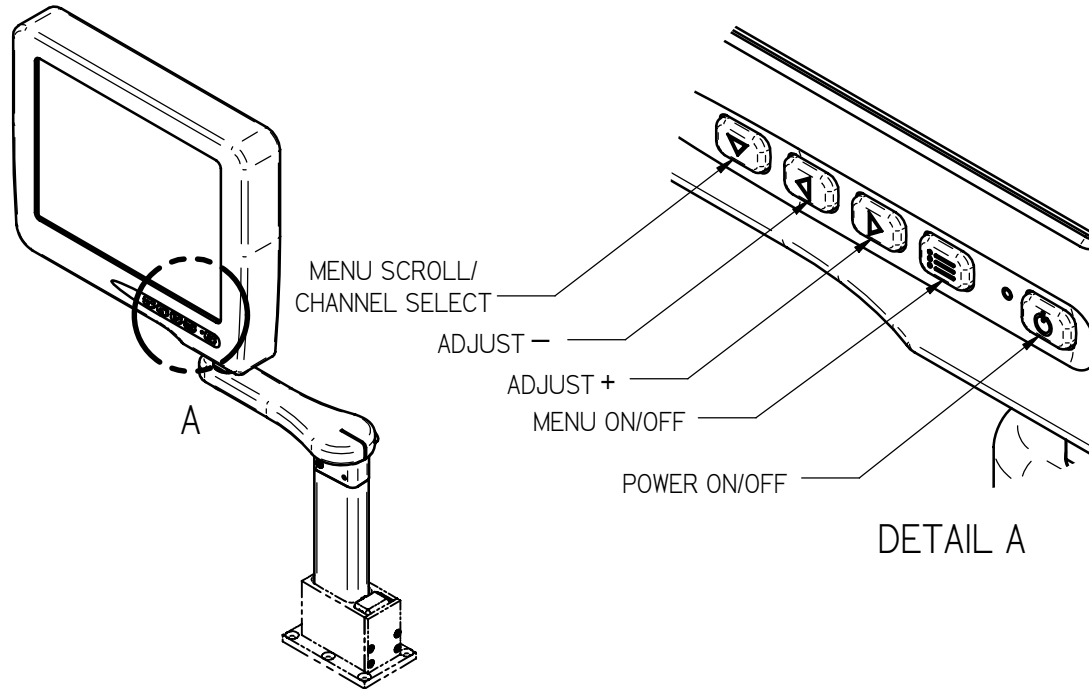
Base Receptacle Pinout-BNC/Molex

**RNVAP Base Receptacle
Model 0100-011**

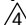
Video Connector: BNC Jack, AMP 5221199-5
Power Connector: Male 3 pin, .062" Molex

Mating Video Connector: BNC Plug
Mating Power Connector: Molex 03-06-1038
Mating Power Contact: Molex 02-06-1103

Pin #	Monitor signal
BNC signal	Video Signal
BNC shield	Video Return
Molex 1	DC Input
Molex 2	DC Return
Molex 3	Reserved



Notes:

 SELECT SWITCH PINS 4 & 5 NORMALLY OPEN, CLOSE FOR 200ms WHEN CHANNEL SELECT BUTTON IS PRESSED.

THE INFORMATION CONTAINED HEREIN IS PROPRIETARY TO ROSEN AVIATION, LLC. IT SHALL NOT BE REPRODUCED OR DISCLOSED IN WHOLE OR IN PART OR USED FOR ANY DESIGN OR MANUFACTURE EXCEPT WHEN SUCH USER POSSESSES DIRECT, WRITTEN AUTHORIZATION FROM ROSEN AVIATION, LLC. THIS DRAWING MAY BE COVERED UNDER ONE OR MORE U.S. OR INTERNATIONAL PATENTS. PLEASE CONTACT ROSEN AVIATION FOR SPECIFIC INFORMATION.

ROSEN AVIATION	1020 OWEN LOOP SOUTH EUGENE, OREGON 97402 TEL: (541) 342-3802 FAX: (541) 342-4912	SIZE DWG NO A 8403-181-CD	REV A
	SCALE NONE SHEET 2 OF 2		