

ELECTRONIC REVISION
CONTROLLED

"Unrivaled Customer Satisfaction"

ROSEN
AVIATION

17" WideScreen Display



Technical Manual

Model 1701 series

Technical Manual, 17" WideScreen Display**© 2008 by Rosen Aviation, LLC**

All Rights Reserved

The information contained herein is proprietary to Rosen Aviation, LLC. No part of this publication may be reproduced, transmitted, transcribed, stored in a retrieval system, or translated into any language in any form by any means without written authorization from Rosen Aviation, LLC, except as allowed under copyright laws.

Disclaimer of Liability

The information contained in this document is subject to change without notice. Because we are continually improving and adding features to our products, Rosen Aviation, LLC reserves the right to change specifications without prior notice. Rosen Aviation, LLC shall not be liable for technical or editorial errors or omissions contained herein.



Rosen Aviation, LLC
1020 Owen Loop South
Eugene, OR 97402
541.342.3802
888.668.4955
Fax: 541.342.4912

www.rosenaviation.com

Contents

1. INTRODUCTION AND DISPLAY OVERVIEW	4
1.1. Unpacking.....	4
2. INSTALLATION GUIDELINES	4
2.1. Monitor Diagrams	5
2.2. Cooling and Ventilation.....	6
2.3. Mounting Options.....	6
3. VIDEO CONNECTIONS.....	8
3.1. Main Interface Connector	8
3.1.1. Main Connector Functions.....	9
3.2. External Control Interface (0300-402).....	9
3.3. DIP Switch Option Selection	10
3.3.1. DIP Switch Function Descriptions.....	10
4. OPERATION	11
4.1. Front Switch Panel Features	11
4.2. On Screen Display (OSD) Main Menu	12
4.3. Picture Submenu	13
4.4. OSD Submenu.....	13
4.5. Utility Submenu.....	13
4.6. Auto Submenu	13
4.7. Exit Submenu	13
5. HOT KEYS.....	14
6. TECHNICAL REFERENCES AND SUPPORT	14
7. DO-180D QUALIFICATIONS.....	15
7.1. Specifications.....	16
8. REVISION HISTORY	16

1. INTRODUCTION AND DISPLAY OVERVIEW

This manual describes how to install the Rosen 17" WideScreen Display onto your aircraft. It contains everything you need to know to wire the display and confirm that it is functioning correctly.

Note: Only trained and qualified personnel should perform installation and service.

1.1. Unpacking

Parts shipped with the 17" WideScreen Display:

- 17" WideScreen Display
- Main Interface Connector kit (P/N **0300-034**)

Optional controller sold separately:

- External 7-button Controller (P/N **0300-402**)



The *Outline & Installation* drawing is available at www.rosenaviation.com. From the [Rosen Aviation](#) home page, select **Support→Drawings and Pinouts**, and search for the drawing by model number or browsing by product category.

2. INSTALLATION GUIDELINES

There are several ways to connect the 17" WideScreen Display to an aircraft's entertainment system.

Use the pinout descriptions on page 2 of the *Outline & Installation* drawing to assist in the wiring process. Pay close attention to the pinout information while completing wiring connections.

Note: This display is for entertainment purposes only; connect to the non-critical power bus.

Once you access the home page, click on **Products→Displays→17 In WideScreen**. Select a drawing by model number from the drop-down menu in the middle of the page.

Drawings are provided to assist in the installation process. Pay close attention to dimensions and rotations when considering installation requirements.



Touching the LCD with excessive force may leave pressure spots that show in video display. Handle with care.

2.1. Monitor Diagrams

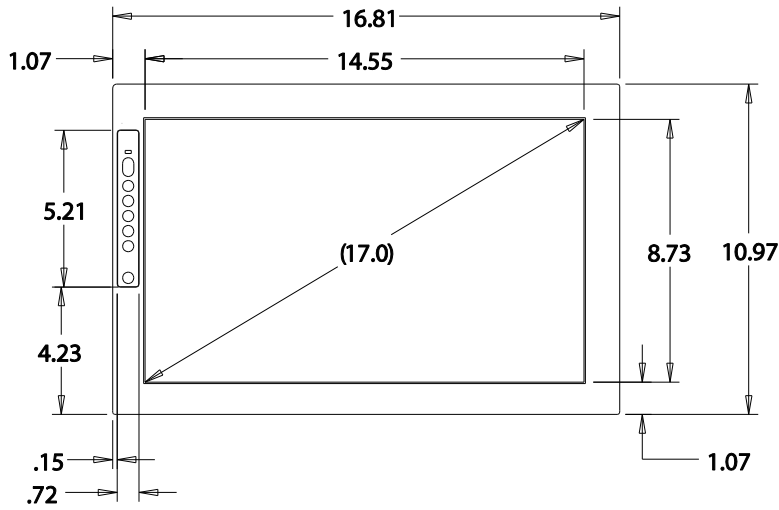
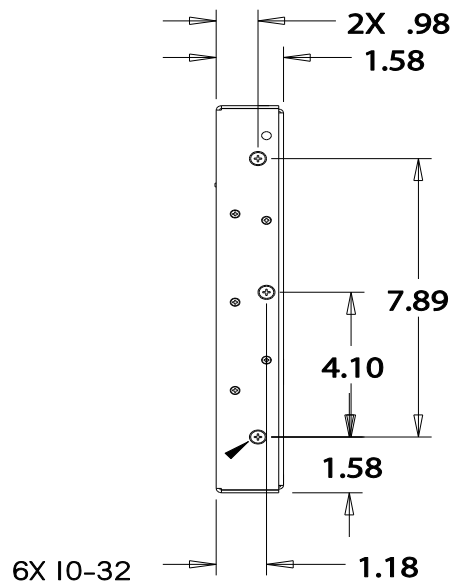


Figure 1 1701 outline dimensions (inches)



MOUNTING HOLES

Figure 2 Side view with mounting holes

2.2. Cooling and Ventilation

The display is cooled by the flow of air, or natural convection. Special care must be taken with the installation to provide a proper environment for air flow.

- Monitor vents: The unit is designed with vent openings on the top, bottom, and rear surfaces. The entire top vent, and either the entire bottom or entire rear vent must be unobstructed for a minimum of one (1) inch. The vents must also be ducted to free air.
- Ducting: The installation must provide for an inlet duct (at bottom or rear), and an exhaust duct at the top. Each of these ducts must have a minimum of four (4) square inches of cross-sectional area.

Note: Display backlight will shut down if internal temperature reaches 140° F.

Note: Each mounting hole includes a 10-32 screw. To install the display, remove only the screws that will be used to install the display. Do not remove the 4-40 flathead screws.

2.3. Mounting Options

This monitor can be mounted from any combination of two sides.

(Dimensions in inches)

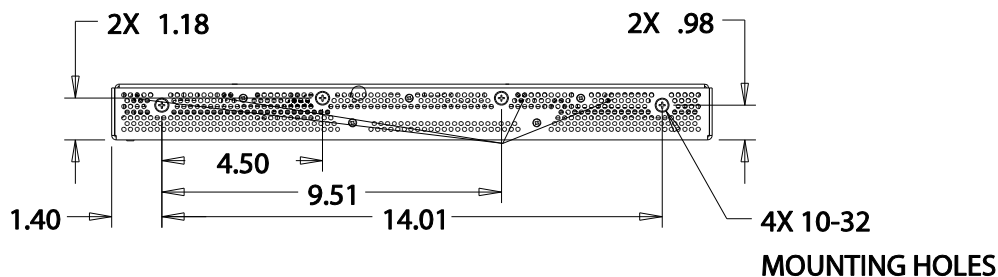


Figure 3 Top view with mounting holes

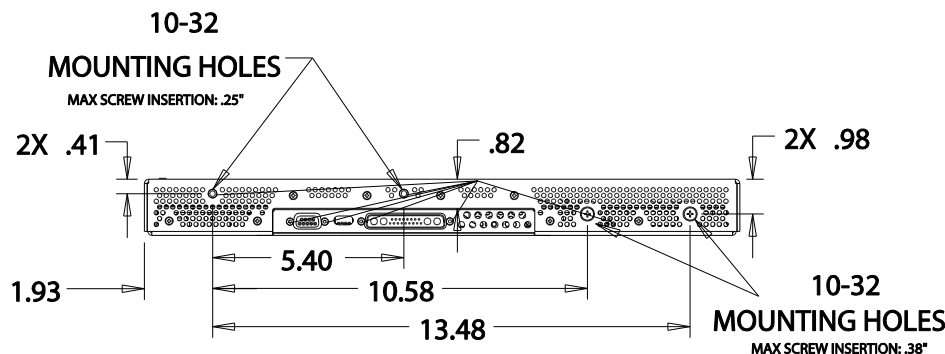
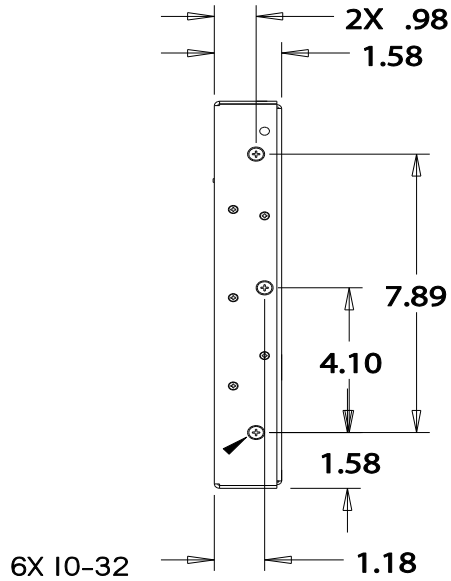
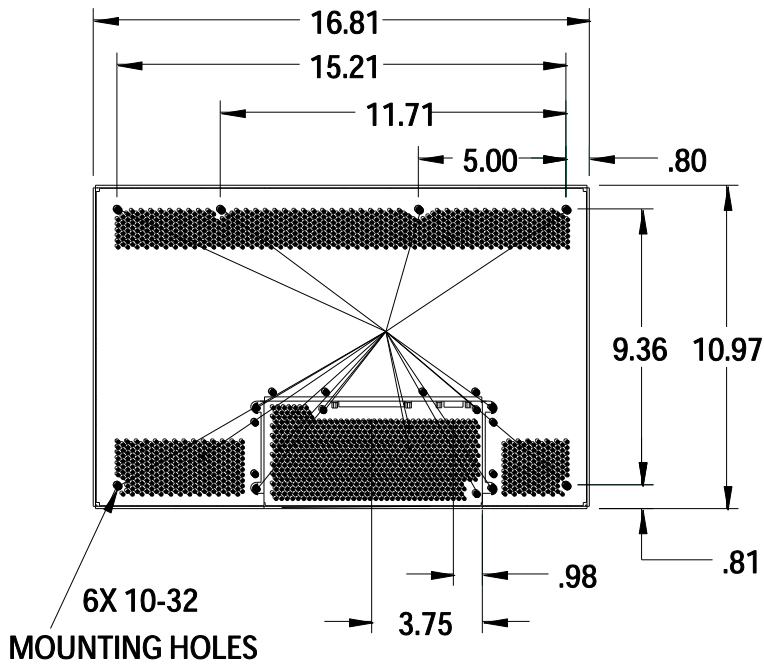


Figure 4 Bottom view with mounting holes



MOUNTING HOLES
Figure 5 Side view with mounting holes

Warning! !	Maximum screw penetration depth:
	Top .38 inches
	Bottom .38 & .25 inches
	Sides .38 inches
	Rear .38 inches



6X 10-32
MOUNTING HOLES
Figure 6 Rear view with mounting holes

3. VIDEO CONNECTIONS

3.1. Main Interface Connector

The main input connector on this display is a 21W4 Male Combo D-subminiature with 17 size-20 contacts (standard density D-sub) and four size-8 coaxial contacts, mounting in a size-4 D-subminiature shell.

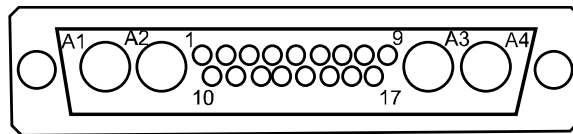
Recommended mating connector: ITT Cannon: (P/N **9000879**).

Note: Backshell of main connector is Positronic D37000GEO-1023.5.

Warning! Do not plug or unplug display while power is applied!

Main Interface Connector

Pin #	Display Signal
1	28V return
2	+28VDC
3	IR +5V
4	IR signal
5	Reserved
6	RGB/video select switch
7	Status output (TTL)
8	Hsync
9	Vsync
10	28V return
11	+28VDC
12	IR ground
13	Computer sync ground
14	Reserved
15	Digital ground
16	Digital ground
17	Digital Ground
A1-signal	Red
A1-shield	Red return
A2-signal	Green
A2-shield	Green return
A3-signal	Blue
A3-shield	Blue return
A4-signal	Composite video
A4-shield	Composite video return
Shell	Chassis ground



Rear view of the Main Interface Connector

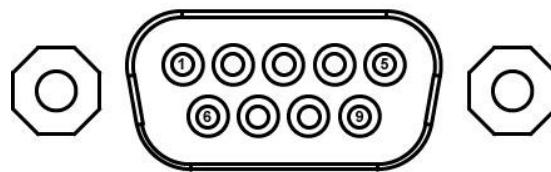
3.1.1. Main Connector Functions

Signal	Input/Output	Description
+28V, 28V return	Input	Aircraft power supply
IR +5V, IR ground	Output	Power for optional IR receiver
IR signal	Input	IR receiver signal input
RGB/video select switch	Input	TTL level input. Used to select which input (RGB or Composite Video Option Selection" on page
Status output	Output	TTL level output indicates monitor is powered on when logic High (Max. current draw is 10 milliamps)
Hsync, Vsync	Input	RGB graphics input, TTL level
Computer sync GND	Input	Reference ground for RGB sync
Digital GND, pins 15, 16, 17	Input	Common digital ground connection, connected to computer sync GND
A1 signal/shield	Input	Red graphics input, 1Vp-p, 75 ohm
A2 signal/shield	Input	Green graphics input, 1Vp-p, 75 ohm
A3 signal/shield	Input	Blue graphics input, 1Vp-p, 75 ohm
A4 signal/shield	Input	Composite video input, 1Vp-p, 75 ohm

3.2. External Control Interface (0300-402)

The external VIP control interface is a 9-pin standard density D-subminiature male connector. Each function can be activated by a momentary connection to ground.

Pin #	Signal
1	Power On/Off
2	Source Select
3	NC
4	Up
5	Down
6	Menu Select
7	Left
8	Right
9	Ground



Rear view of the External Control Connector

3.3. DIP Switch Option Selection

Use DIP switches located near the input connectors. See Section [3.3.1](#) for detailed descriptions. Operation is as follows:

SW1	SW2	SW3	SW4	Function
On	Off	-	-	Constant ground switching
Off	On	-	-	Momentary ground switching
On	On	-	-	Auto-detect
Off	Off	-	-	Manual mode
-	-	Off	-	Display defaults to Off (Auto Off)
-	-	On	-	Display defaults to On (Auto On)
-	-	-	On	Front switch panel enabled
-	-	-	Off	Front switch panel disabled

The display may be configured to several options through the setting of DIP switches located near the input connectors. The DIP switch settings are detected when 28 volts are applied and each time the power button is pressed to turn on the display.

3.3.1. DIP Switch Function Descriptions

Auto-Detect

This mode will automatically switch to the RGB input whenever an RGB signal is connected to the monitor by detecting the presence of the Hsync signal (pin 8 of the 21WA4 combo connector). If no RGB signal is detected, it will automatically switch to the Composite Video input whether a video signal is present or not. The Source button located on the front panel membrane switch and optional external switch controller will be locked out.

Constant Ground

This mode uses a SPST (single-pole, single-throw) external rocker switch connected between ground and RGB/Video Select (pin 6 of the 21WA4 combo connector). When the RGB/Video Select pin is connected to ground, the display will switch to the RGB input whether an RGB signal is present or not. When the RGB/Video Select pin is not connected to ground, the display will switch to the Composite Video input whether a video signal is present or not. The Source button located on the front panel membrane switch and optional external switch controller will be locked out.

Momentary Ground

This mode uses a SPST external momentary switch between ground and the RGB/Video Select (pin 6 of the 21WA4 combo connector). Each time the switch is pressed, the monitor will switch back and forth between the RGB and Composite Video inputs whether a signal is present or not. The Source button located on the front panel membrane switch and optional external switch controller can also be used to switch back and forth between the RGB and Composite Video inputs.

Manual Mode

This mode will not switch between RGB and Composite Video through the Auto-Detect, Constant Ground or Momentary Ground options. The Source button located on the front panel membrane switch and optional external switch controller can be used to switch back and forth between the RGB and Composite Video inputs.

Automatic Power-Up

SW3 On: The monitor will come on as soon as 28 volts power is applied.

SW3 Off: The monitor stays off when 28 volts power is applied. The power button on the front panel membrane switch or the optional external switch controller must be pressed to turn on the monitor.

Membrane Switch Enable

SW4 On: Front panel membrane switch is enabled.

SW4 Off: Front panel membrane switch is disabled.

4. OPERATION

4.1. Front Switch Panel Features

To operate the 17" WideScreen display, use the front switch panel buttons shown below. (External controller or IR remote control options are available separately.)

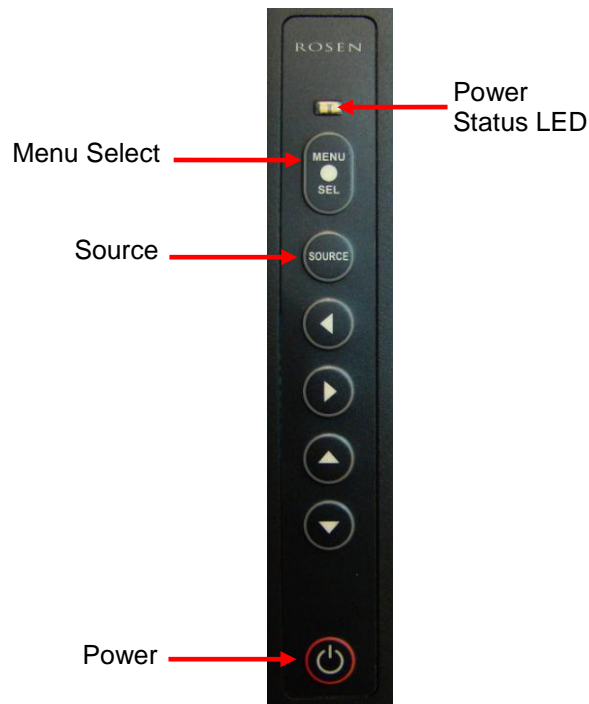


Figure 7 Front switch panel

Front Switch Panel Features

Feature	How it Works
Power Status LED	When the LED is green, display is on. When the LED is red, display is in Standby Mode.
Menu/Sel	Press to view the OSD Main Menu and to select the highlighted Main Menu option.
Source	Press to toggle the video source between Analog RGB and Composite video. Note: This only functions when DIP switch is set to Momentary Ground or Manual mode.
▼▲▶◀	Press to select a menu option or to increase or decrease a value.
Power	Press to power the display on or off.

4.2. On Screen Display (OSD) Main Menu

The On Screen Display (OSD) provides a set of menus that enable you to adjust or view the display's features. Main Menu selections lead to submenus with additional choices. Press the Menu Select button on the switch panel to open the Main Menu.

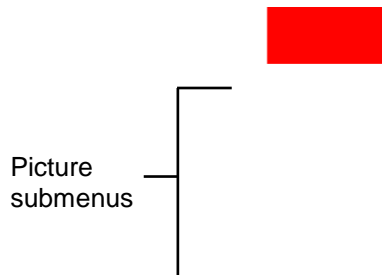


Figure 8 Highlighted submenus in Main Menu Analog RGB mode

To switch to different Main Menus (OSD, Utility, and Auto), press the ◀ ▶ buttons on the front switch panel.

To highlight a submenu, press the ▼ button on the switch panel. When submenus are highlighted, press the ◀ ▶ buttons to adjust up or down.

To return to the Main Menu, press the ▶ button on the switch panel to highlight **Return** in the submenu.

To exit Main Menu, press ▶ button until **Exit** is highlighted and then press the **Menu Select** button.

Note: It takes five seconds for changes to be stored into memory.

4.3. Picture Submenu

Menu Option	How it Works
Brightness	Adjusts picture brightness
Contrast	Adjusts picture contrast
Phase	Removes noise in RGB mode.
Frequency	Adjusts the picture size in RGB mode
H Position	Adjusts horizontal position adjustment
V Position	Adjusts vertical position
Sharpness	Adjusts picture sharpness
Return	Returns OSD to the Main Menu

Note: Phase, Frequency, H Position, and V Position appear only in RGB mode.

4.4. OSD Submenu

Menu Option	How it Works
H Position	Adjusts OSD horizontal position
V Position	Adjusts OSD vertical position
OSD Timeout	Adjusts time in which OSD turns off if left alone
Return	Returns OSD to the Main Menu

4.5. Utility Submenu

Menu Option	How it Works
Freeze Frame	Freezes picture frame
Reset	Returns options to default settings
Color Temperature	Adjusts color in Composite mode only
Information	Provides monitor info
Return	Returns OSD to the Main Menu

4.6. Auto Submenu

Menu Option	How it Works
Auto	Automatically adjusts image size in RGB mode

4.7. Exit Submenu

Menu Option	How it Works
Exit	Closes the screen. To exit menu, press ◀.

5. HOT KEYS

Hot keys are a quick way of adjusting brightness, contrast, picture-in-picture (PIP), and the scaling modes. To activate the hot keys, press the ▲▼ buttons on the front switch panel to cycle through these modes, and then use the ►◀ buttons to change values. The hot keys will not work if an OSD menu is open.

Scaling mode: The scaling mode will adjust the picture depending on the type of formatted DVD disc you are using.

Note: If picture looks stretched, adjust scaling mode.

Picture-in-Picture (PIP): The small screen in the upper left-hand corner will display composite video when in RGB mode.

6. TECHNICAL REFERENCES AND SUPPORT

If the display does not function properly, refer to the following troubleshooting table for symptoms and possible solutions before contacting Rosen field support.

- Always use an oscilloscope to verify the video signal
- Always use a multimeter to verify voltages
- Check actual results against the requirements described in this manual

Problem	Possible Solutions
No video	<ul style="list-style-type: none"> ● Verify that the video source is on and has a tape or DVD installed. ● Verify that a signal is reaching the display by using an oscilloscope or another display. ● Verify that the display is turned on (LED is green). ● Verify that the pinout is correct. ● Verify that the video input (Analog RGB/Composite) and video standard (NTSC/PAL/SECAM/RS170) match your application.
Screen is black	<ul style="list-style-type: none"> ● Verify that the display is receiving power. ● Verify that the pinout is correct. ● Verify that the video source is on and has a tape or DVD installed. ● Verify all connections.
Screen is blue	<ul style="list-style-type: none"> ● Verify that a signal is reaching the display by using an oscilloscope or another display. ● Verify that the pinout is correct. ● Verify that the video source is on and has a tape or DVD installed.

Troubleshooting tips cont.

Color is out of adjustment	<ul style="list-style-type: none"> Refer to the OSD Main Menu options described on page 12.
Image flickers	<ul style="list-style-type: none"> Verify that the signal cable is secure. Verify that the vertical frame frequency is 75 Hz or less. If using the display with a PC in Windows, go to Control Panel→Display Properties and change the Display Control Panel to 60 Hz to achieve the best performance.
Image is distorted	<ul style="list-style-type: none"> Verify pinouts. Verify that a signal is reaching the display by using an oscilloscope or another display. Examine the display for pinched or damaged cables.

7. DO-180D QUALIFICATIONS

DO-160D Test criteria to which we test the 1701 series displays

Description	DO-160E Section	DO-160E Category
Temperature and Altitude	4.0	A1
Temperature Variation	5.0	C
Humidity	6.0	A
Operational Shock & Crash Safety	7.0	B
Vibration	8.0	SB
Explosion Proofness	9.0	N/A
Waterproofness	10.0	N/A
Fluids Susceptibility	11.0	N/A
Sand & Dust	12.0	N/A
Fungus Resistance	13.0	N/A
Salt Spray	14.0	N/A
Magnetic Effect	15.0	Z
Power Input	16.0	AB
Voltage Spike	17.0	B
Audio Frequency Susceptibility — Power Inputs	18.0	Z
Induced Signal Susceptibility	19.0	Z
Radio Frequency Susceptibility (Radiated & Conducted)	20.0	TT
Emission of Radio Frequency Energy	21.0	B
Lightning Induced Transient Susceptibility	22.0	N/A
Lightning Direct Effects	23.0	N/A
Icing	24.0	N/A
Electrostatic Discharge	25.0	A

7.1. Specifications

Size	14.55 x 8.73 inches [369.57 x 221.74 mm]
Resolution	1280 w x 768 h (WXGA)
Viewing Angle (L/R)	±85/85°
Brightness	450 cd/m ² typical
Contrast Ratio	600:1 min
Backlight Lamp Life	25,000 hours
Weight	7.95 lbs ± 5%
Installed Dimensions	16.81" (W) x 10.97" (H) x 1.58" (D) [426.97 mm (W) x 278.64 mm (H) x 40.13 mm (D)]
Power Requirements	28V DC 47W nominal
Video Performance	
Video Standards	NTSC, PAL, SECAM, RS170
Graphics Standards	VGA, through WXGA (75 Hz max)
Video Input	1Vp-p, 75 ohms
Operating Temperature	0°C - 50°C
Warranty	4-year

8. REVISION HISTORY

Revision	Date	Revision Description	EC
D	11/21/08	Update format	08519
F	2/17/2010	Update Packing information, connector kits and how to locate O&I drawing information on web	10042