

A

B

NOTES: (UNLESS OTHERWISE SPECIFIED)

1. ASSEMBLY WEIGHT: .05 LBS MAX
2. PROTECT COSMETIC SURFACES FROM DAMAGE

REVISIONS						
ZONE	REV	DESCRIPTION	DATE	BY	EC NO.	APRV
	A	INITIAL RELEASE	02/06/18	MCS	18-0080	
NOTES	B	REMOVE QCP NOTE, CHANGE PROJECT FROM "SMARTFLEX" TO "MIP"	06/05/18	SC	18-0373	BEF
TITLE BLOCK	C	ADD "MODEL" AND "CPN" TO TITLE BLOCK	11/09/18	SC	18-0763	BEF

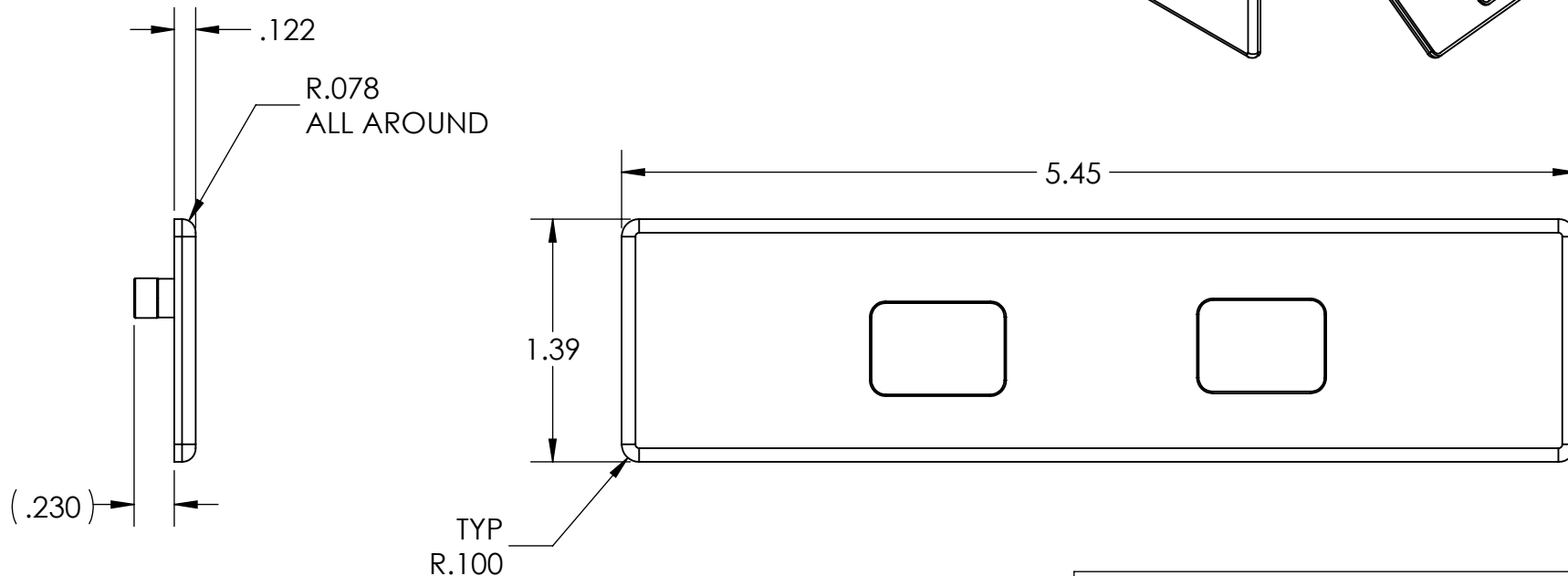
PMA - Standard Aero 110224

Electronic Revision

Controlled

STEEL PLUGS
USED FOR MAGNETIC
RETENTION

BRUSHED BLACK ANODIZED
SURFACE THIS SIDE



THE INFORMATION CONTAINED HEREIN IS PROPRIETARY TO ROSEN AVIATION, LLC. IT SHALL NOT BE REPRODUCED OR DISCLOSED IN WHOLE OR IN PART OR USED FOR ANY DESIGN OR MANUFACTURE EXCEPT WHEN SUCH USER POSSESSES DIRECT, WRITTEN AUTHORIZATION FROM ROSEN AVIATION, LLC. THIS DRAWING MAY BE COVERED UNDER ONE OR MORE U.S. OR INTERNATIONAL PATENTS. PLEASE CONTACT ROSEN AVIATION FOR SPECIFIC INFORMATION.

Rosen
AVIATION

1020 OWEN LOOP SOUTH
EUGENE, OREGON 97402
TEL: (541) 342-3802 FAX: (541) 342-4912

APPROVALS	INITIAL	DATE
DRAWN BY	MCS	01/31/18
CHECKER	BEF	02/02/18
ENGINEER	MCS	02/02/18

UNLESS OTHERWISE
SPECIFIED DIMENSIONS
ARE IN INCHES

.X = ±.1
.XX = ±.02
.XXX = ±.005

∠ = ± 1.0°
RADII ± .020

INTERPRET DIM AND TOL PER
ASME Y14.5M - 1994

TITLE
OUTLINE AND INSTALLATION
DRAWING, MIP, BEZEL, ANODIZED

FIRST CALLED FOR: (PCF)

359-MIP

CUSTOMER PART NUMBER (CPN)

MIP100-901-CD

SIZE	MODEL	REV
A	MIP100-901	C

SCALE: 1:1 SHEET 1 OF 1

A

B © 2018 ROSEN AVIATION, LLC