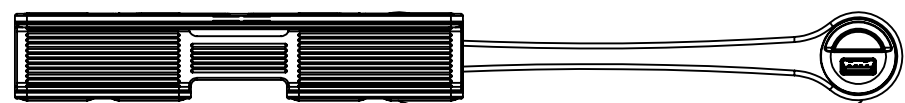


NOTES: (UNLESS OTHERWISE SPECIFIED)

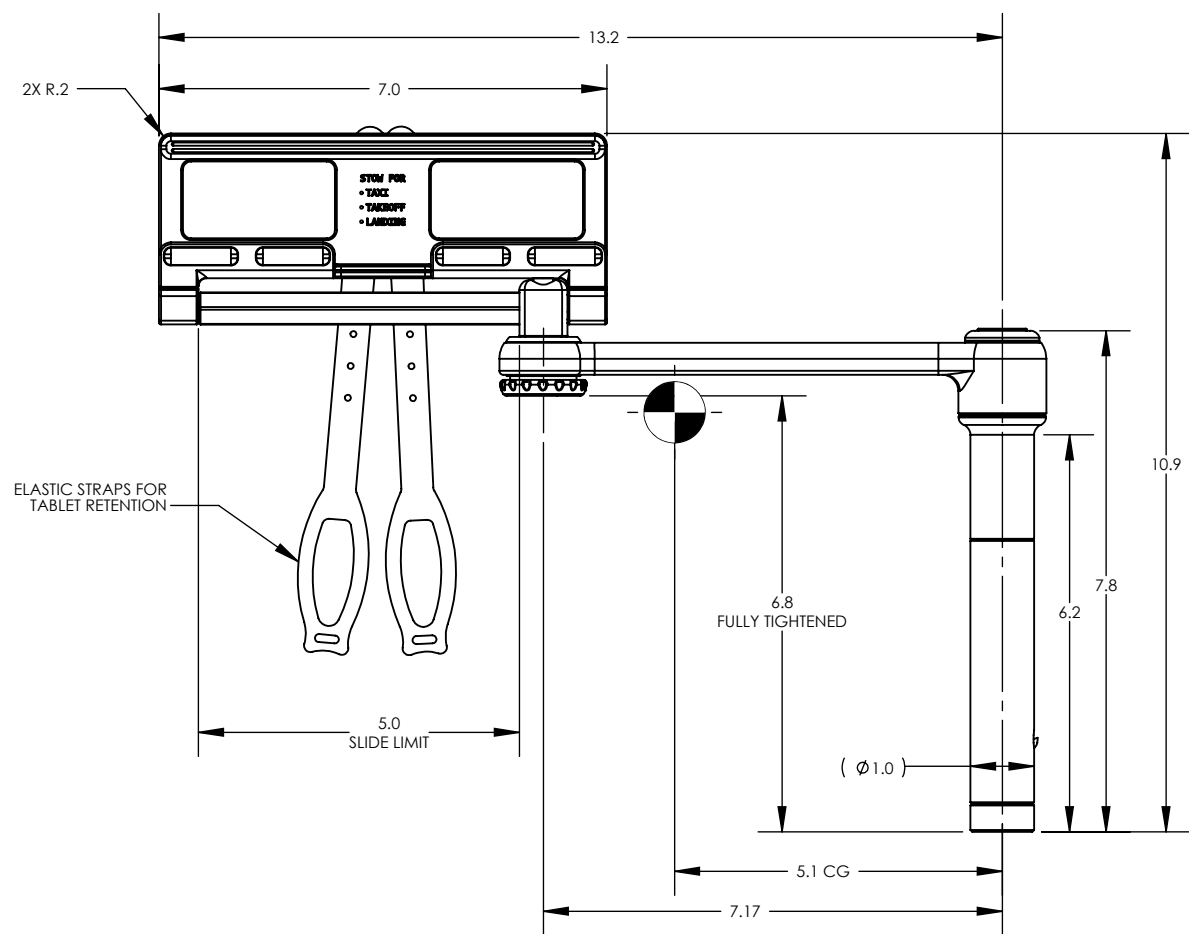
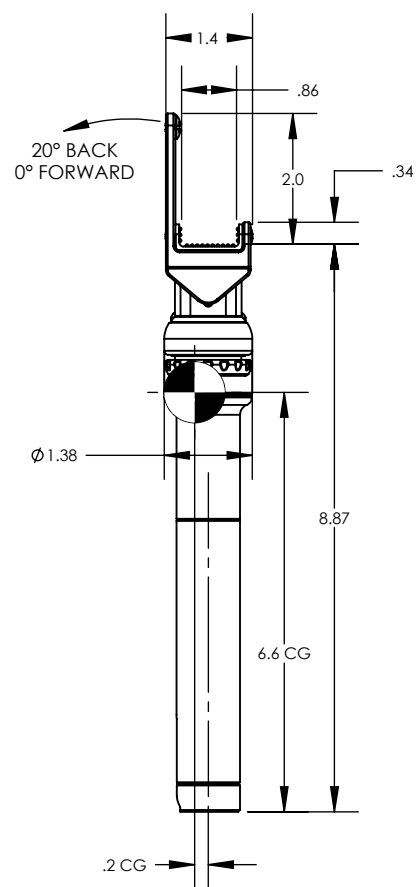
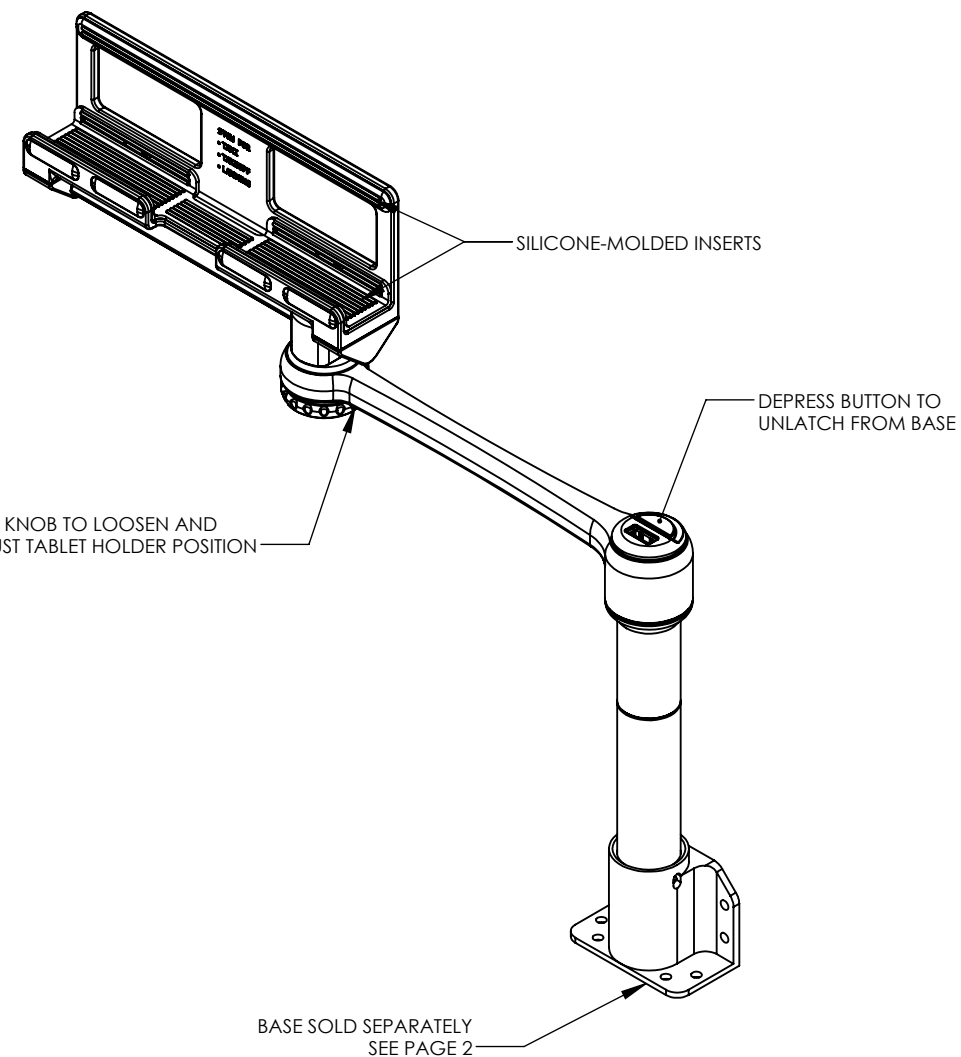
- ASSEMBLY WEIGHT: 1.31 LBS MAX
- SOME MINOR PARTS, LABELS AND INSTRUCTIONS OMITTED FOR CLARITY

Electronic Revision Controlled

REVISIONS						
ZONE	REV	DESCRIPTION	DATE	BY	EC NO	APRV
	A	PRODUCTION RELEASE	07/16/18	SC	18-0434	
B2	B	UPDATE TABLET STRAP APPEARANCE	02/20/20	SC	20-0108	DAW



TABLET HOLDER AND ARM
BOTH ROTATE 360°



THE INFORMATION CONTAINED HEREIN IS PROPRIETARY TO ROSEN AVIATION, LLC. IT SHALL NOT BE REPRODUCED OR DISCLOSED IN WHOLE OR IN PART OR USED FOR ANY DESIGN OR MANUFACTURE EXCEPT WHEN SUCH USER POSSESSES DIRECT, WRITTEN AUTHORIZATION FROM ROSEN AVIATION, LLC. THIS DRAWING MAY BE COVERED UNDER ONE OR MORE U.S. OR INTERNATIONAL PATENTS, PLEASE CONTACT ROSEN AVIATION FOR SPECIFIC INFORMATION.

	1020 OWEN LOOP SOUTH EUGENE, OREGON 97402 TEL: (541) 342-3802 FAX: (541) 342-4912		APPROVALS	INITIAL	DATE
			DRAWN BY	SC	04/02/18
			CHECKER	MCS	07/06/18
TITLE		ENGINEER	SC	07/06/18	
OUTLINE AND INSTALLATION DRAWING, TABLET HOLDER, -037, POGO		ACC100-037-CD			
FIRST CALLED FOR: (FCF)		SIZE	REV		
375-Tablet Arm		B	B		
		SCALE: 1:3	SHEET 1 OF 2		

UNLESS OTHERWISE SPECIFIED DIMENSIONS ARE IN INCHES

X = ± .1
.XX = ± .03
.XXX = ± .015
∠ = ± 5.0°
RADI = ± .020

INTERPRET DIM AND TOL PER ASME Y14.5M - 1994

1

2

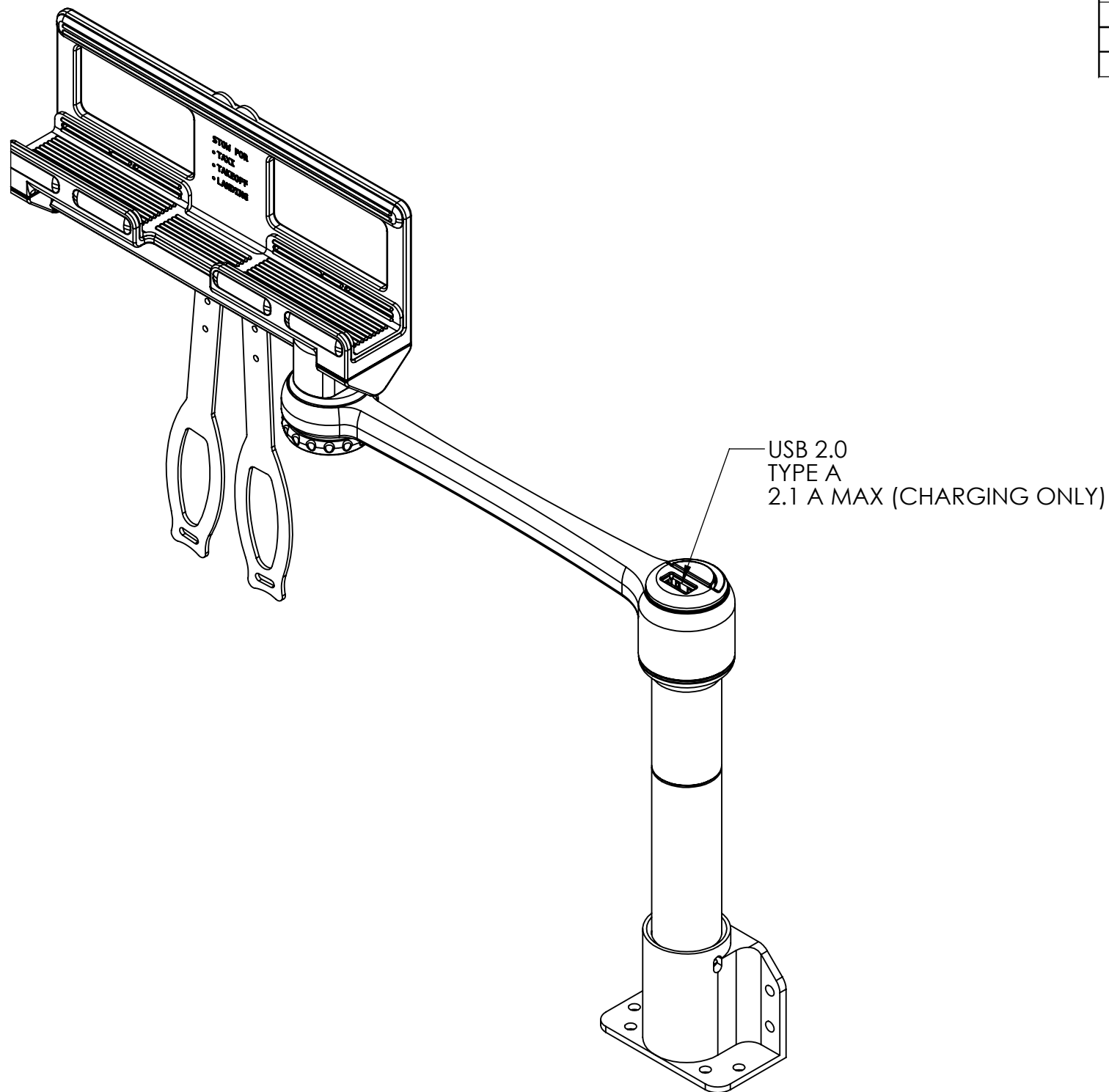
3

4

Power Requirements	
Operational Voltage Range	10 - 32.2 V
Max Current at Nominal Voltage*	0.4 A @ 28 VDC
Inrush Peak	6.1 A
Inrush Duration	1 ms

*Current draw will increase as voltage decreases (constant power)

Compatible Base Receptacles			
9-Pin Dsub Connector		3-Pin Molex Connector	
Slimline Base Receptacle Model 0100-041, 0100-042, 0100-043		Slimline Base Receptacle Model 0100-040	
Connector: 9 Pin Male D-Subminiature Positronic SD9M0000Z		Connector: Male 3 Pin, .062" Molex 03-06-2033	
Mate: 9 Pin Female D-Subminiature Positronic SD9F0000X		Mating Power Connector: Molex 03-06-1038 Mating Power Contact: Molex 02-06-1103	
Pin #	Description	Pin #	Description
2	+28V DC	1	+28V DC
3	DC Return	2	DC Return
5	Reserved	3	Reserved



THE INFORMATION CONTAINED HEREIN IS PROPRIETARY TO ROSEN AVIATION, LLC. IT SHALL NOT BE REPRODUCED OR DISCLOSED IN WHOLE OR IN PART OR USED FOR ANY DESIGN OR MANUFACTURE EXCEPT WHEN SUCH USER POSSESSES DIRECT, WRITTEN AUTHORIZATION FROM ROSEN AVIATION, LLC. THIS DRAWING MAY BE COVERED UNDER ONE OR MORE U.S. OR INTERNATIONAL PATENTS, PLEASE CONTACT ROSEN AVIATION FOR SPECIFIC INFORMATION.



1020 OWEN LOOP SOUTH
EUGENE, OREGON 97402
TEL: (541) 342-3802 FAX: (541) 342-4912

SIZE	ACC100-037-CD	REV	B
SCALE: 1:2	SHEET 2 OF 2		

1

2

3

A

A

B

B