

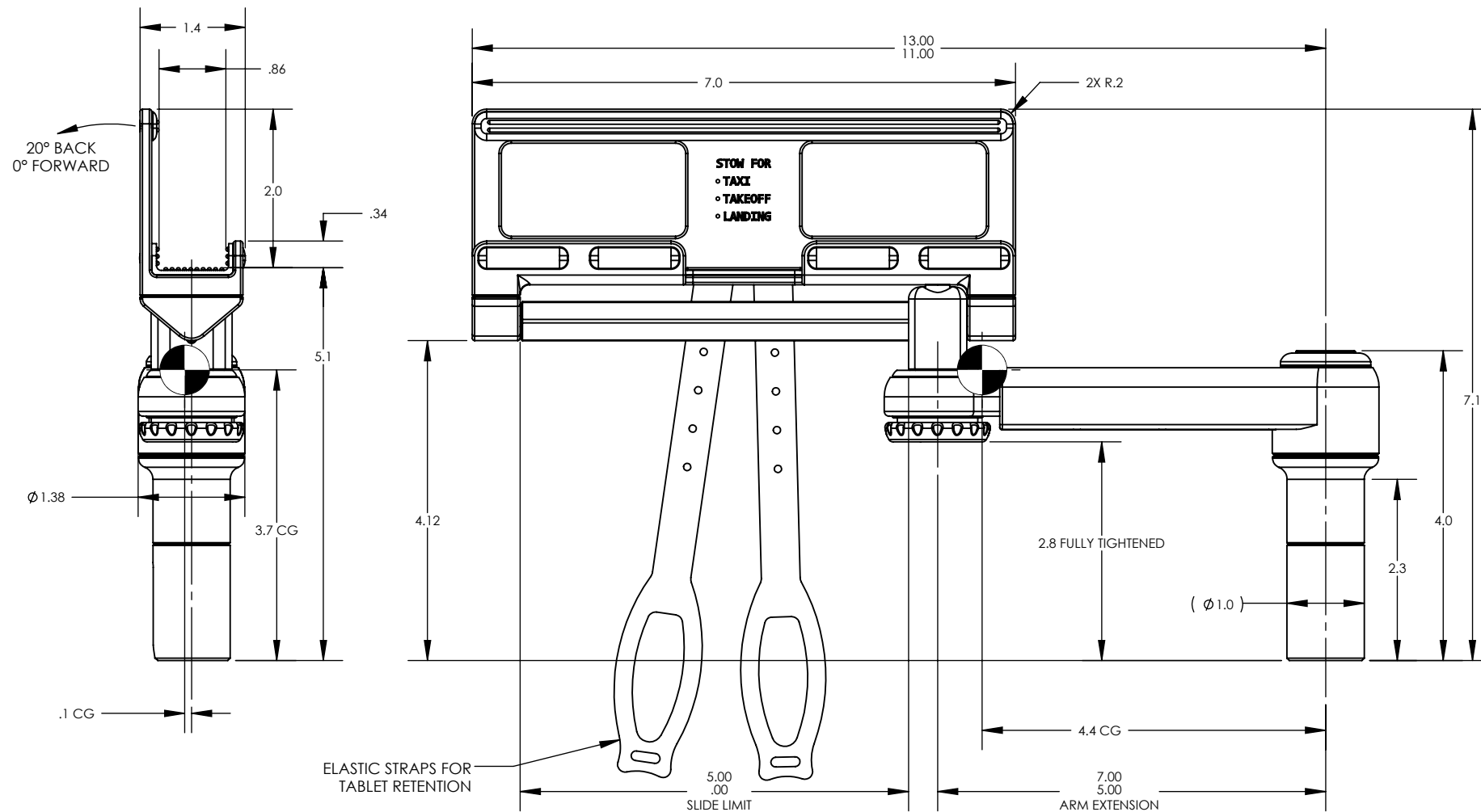
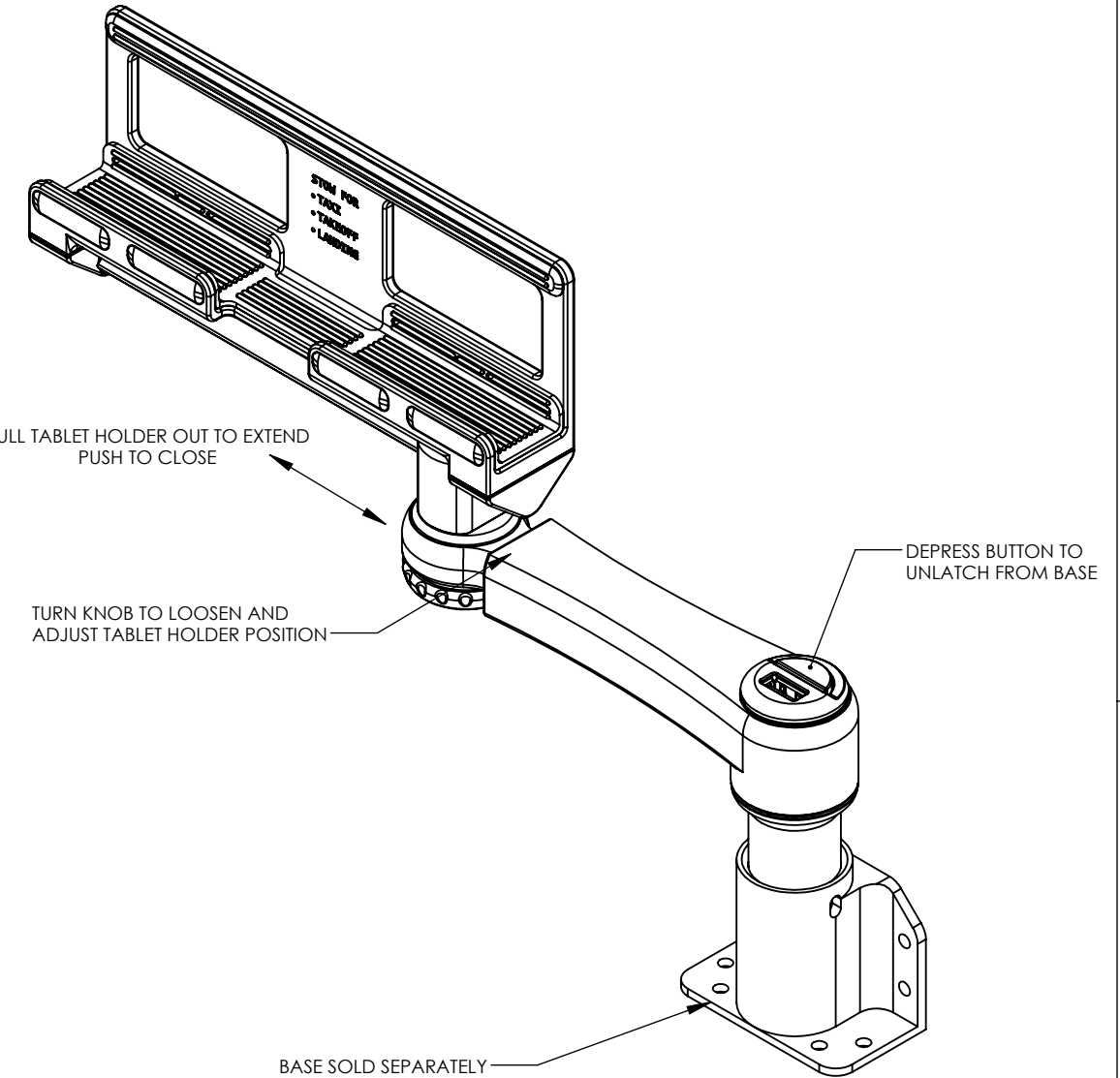
NOTES: (UNLESS OTHERWISE SPECIFIED)
 1. ASSEMBLY WEIGHT: 1.24 LBS MAX
 2. SOME MINOR PARTS, LABELS AND INSTRUCTIONS OMITTED FOR CLARITY

Electronic Revision Controlled

REVISIONS						
ZONE	REV	DESCRIPTION	DATE	BY	EC NO	APRV
	A	OVERALL HEIGHT WAS 6.9 NOW 7.1, FILLED IN PG2 SPECS	08/02/18	SC	18-0510	
PG2	B	ADDED MOD 01 FOR BASE COMPATIBILITY	08/12/19	SC	19-0451	BEF
	C	UPDATE TABLET STRAP APPEARANCE	02/20/20	SC	20-0108	DAW



TABLET HOLDER AND ARM
BOTH ROTATE 360°



THE INFORMATION CONTAINED HEREIN IS PROPRIETARY TO ROSEN AVIATION, LLC. IT SHALL NOT BE REPRODUCED OR DISCLOSED IN WHOLE OR IN PART OR USED FOR ANY DESIGN OR MANUFACTURE EXCEPT WHEN SUCH USER POSSESSES DIRECT, WRITTEN AUTHORIZATION FROM ROSEN AVIATION, LLC. THIS DRAWING MAY BE COVERED UNDER ONE OR MORE U.S. OR INTERNATIONAL PATENTS, PLEASE CONTACT ROSEN AVIATION FOR SPECIFIC INFORMATION.

ROSEN AVIATION 1020 OWEN LOOP SOUTH EUGENE, OREGON 97402 TEL: (541) 342-3802 FAX: (541) 342-4912	APPROVALS	INITIAL	DATE
	DRAWN BY	SC	01/17/18
	CHECKER	MCS	07/31/18
TITLE	ENGINEER	SC	07/31/18
OUTLINE AND INSTALLATION DRAWING, TABLET HOLDER, -060, MICRO-D			ACC100-060-CD
FIRST CALLED FOR: (FCF)	SIZE	REV	
375-Tablet Arm	B	C	
	SCALE: 1:2	SHEET 1 OF 2	

UNLESS OTHERWISE SPECIFIED DIMENSIONS ARE IN INCHES
 .X = ±.1
 .XX = ±.03
 .XXX = ±.015
 ∠ = ±.50°
 RADII ±.020
 INTERPRET DIM AND TOL PER ASME Y14.5M - 1994

1

2

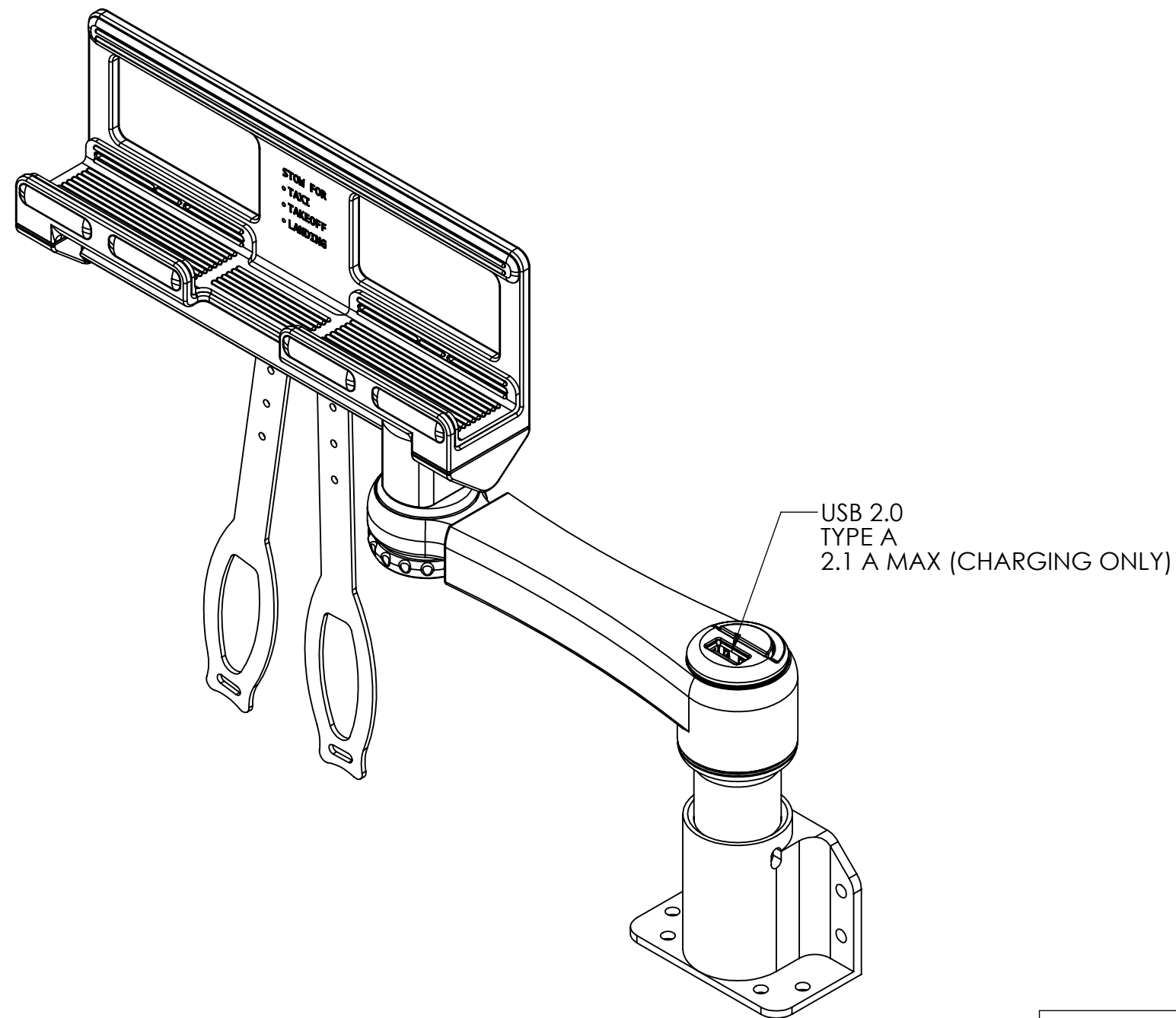
3

4

Power Requirements	
Operational Voltage Range	10 - 32.2 V
Max Current at Nominal Voltage*	0.4 A @ 28 VDC
Inrush Peak	6.1 A
Inrush Duration	1 ms

*Current draw will increase as voltage decreases (constant power)

MODEL	MOD	
	00	01
0100-002	X	X
0100-004	X	X
0100-005	X	X
0100-211H		X
0100-212H		X



THE INFORMATION CONTAINED HEREIN IS PROPRIETARY TO ROSEN AVIATION, LLC. IT SHALL NOT BE REPRODUCED OR DISCLOSED IN WHOLE OR IN PART OR USED FOR ANY DESIGN OR MANUFACTURE EXCEPT WHEN SUCH USER POSSESSES DIRECT, WRITTEN AUTHORIZATION FROM ROSEN AVIATION, LLC. THIS DRAWING MAY BE COVERED UNDER ONE OR MORE U.S. OR INTERNATIONAL PATENTS, PLEASE CONTACT ROSEN AVIATION FOR SPECIFIC INFORMATION.

ROSEN
AVIATION

1020 OWEN LOOP SOUTH
EUGENE, OREGON 97402
TEL: (541) 342-3802 FAX: (541) 342-4912

SIZE	ACC100-060-CD	REV	C
SCALE: 1:4	SHEET 2 OF 2		

1

2

3

A

A

B

B